

KTE2000...CS Series

OEM submersible level sensors

FEATURES

- 0...50 to 0...200 mbar
(approx. 0...1.67 to 0...6.70 ft H₂O)
- Capacitive ceramic pressure cells
- For corrosive media
- 4...20 mA output
- High overpressure resistance

MEDIA COMPATIBILITY

Wetted materials:
Ceramic Al₂O₃, stainless steel 1Cr18Ni9Ti,
NBR, Viton, PE (PUR)

Protection class:
IP 68 (according to DIN EN 60529, NEMA 6P)¹

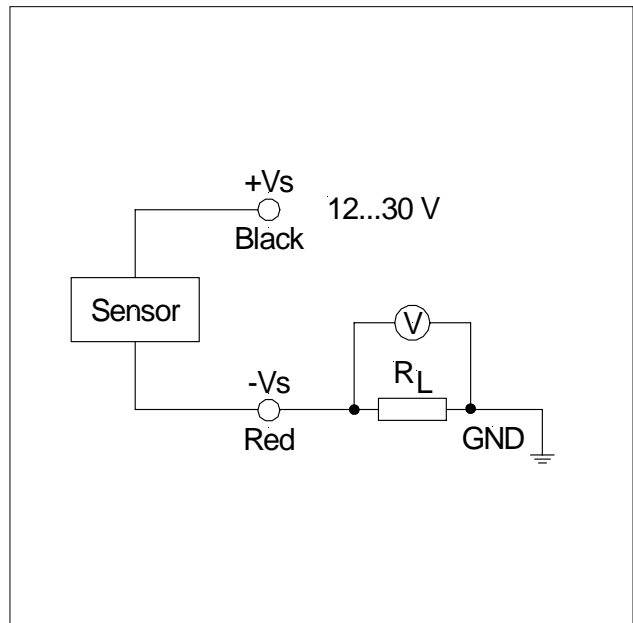


SPECIFICATIONS⁶

Maximum ratings

Supply voltage ²	12...30 V
Temperature limits	
Storage	-30...85 °C
Operating	-30...80 °C
Compensated	-30...70 °C
Proof pressure ³	10 x rated pressure

ELECTRICAL CONNECTION



KTE2000...CS Series

OEM submersible level sensors

INDIVIDUAL PERFORMANCE CHARACTERISTICS

Characteristics		Min.	Typ.	Max.	Unit
Operating pressure	KTEM2050...	0		50	mbar
	KTEM2100...	0		100	
	KTEM2200...	0		200	
Zero pressure offset			4.0		mA
Full scale span			16.0		
Thermal effects ⁴	-20...70 °C		±0.015		%FSO/°C
	-20...-30 °C		±0.02		
Accuracy ⁵				±0.75	%FSO
Long term stability			±0.1		%FSO/year
Vibration (200 Hz/g)			±0.01		%FSO

LOAD LIMITATION²

$$R_{\max} = \frac{V_s - 12 \text{ V}}{0.02 \text{ A}}$$

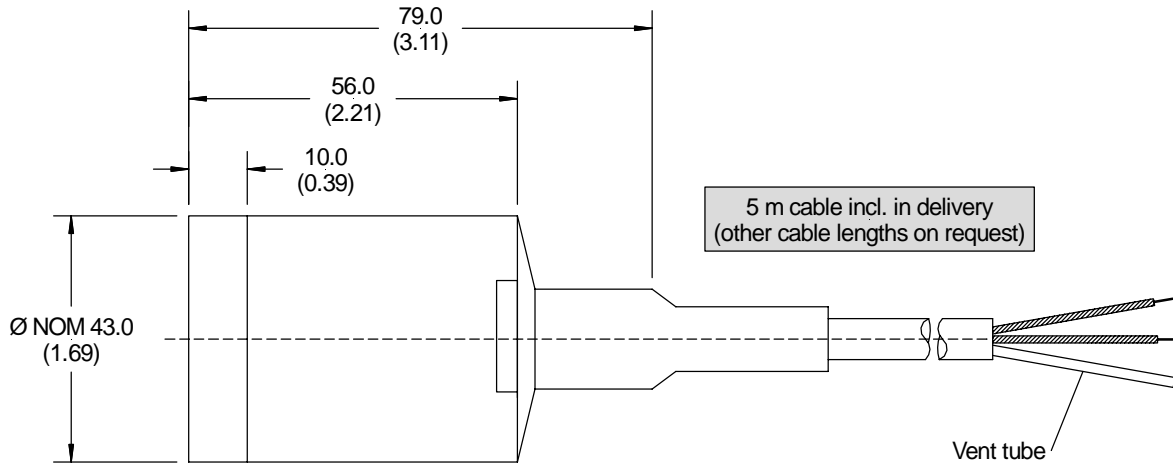
Specification notes:

1. The package is an all-sealed housing. For proper function the gage port is vented to the atmosphere through the connecting cable. Thus the vent tube of the cable end must have access to the ambient pressure.
2. The minimum supply voltage is directly proportional to the load resistance seen by the transmitter.
3. Proof pressure is the maximum pressure which may be applied without causing damage to the sensing element.
4. All specifications shown are relative to 25°C.
5. Accuracy is the combined error from offset and span calibration, linearity, hysteresis and repeatability. Linearity is the measured deviation based on a straight line. Hysteresis is the maximum output difference at any point within the operating pressure range for increasing and decreasing pressure. Calibration errors include the deviation of offset and full scale from nominal values.
6. The pressure transmitters must not be used as safety accessories according to article 1, 2.1.3 of the directive 97/23/EC.

KTE2000...CS Series

OEM submersible level sensors

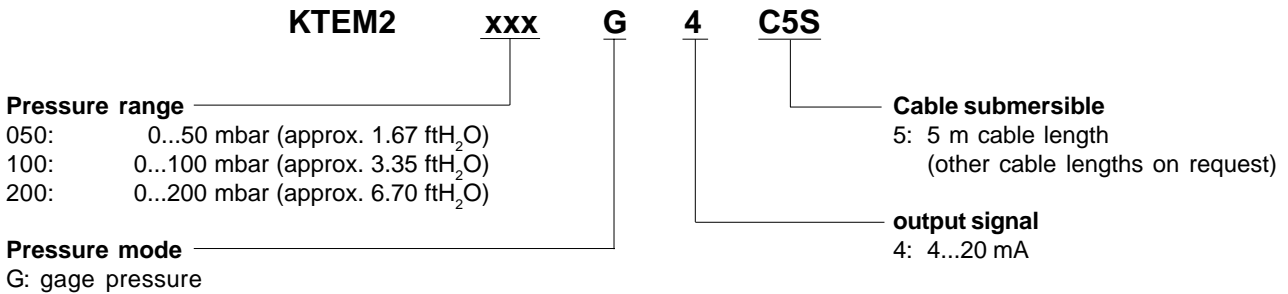
OUTLINE DRAWING



mass: approx. 280 g (without cable)

dimensions in mm (inches)

ORDERING INFORMATION



Note: Other pressure ranges and calibrations (e.g. psi, inH₂O, cmH₂O) are available on request. Please contact First Sensor for further information.

First Sensor reserves the right to make changes to any products herein. First Sensor does not assume any liability arising out of the application or use of any product or circuit described herein, neither does it convey any license under its patent rights nor the rights of others.