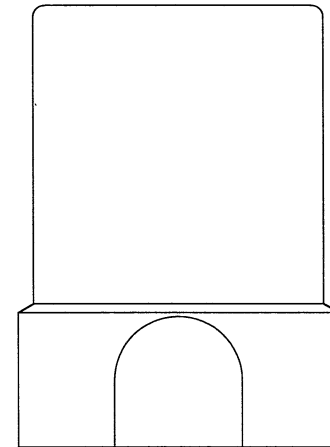
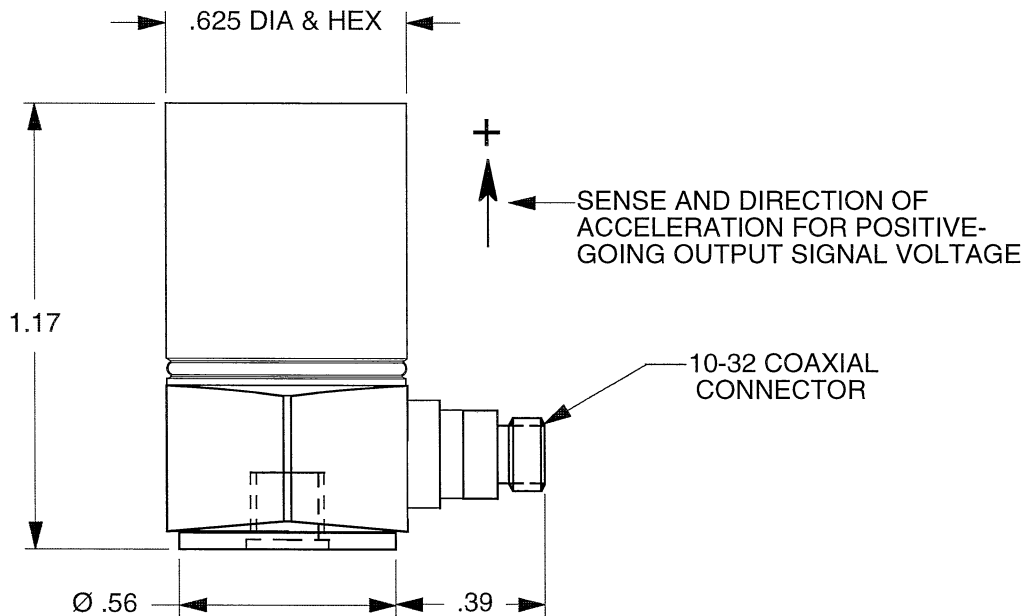


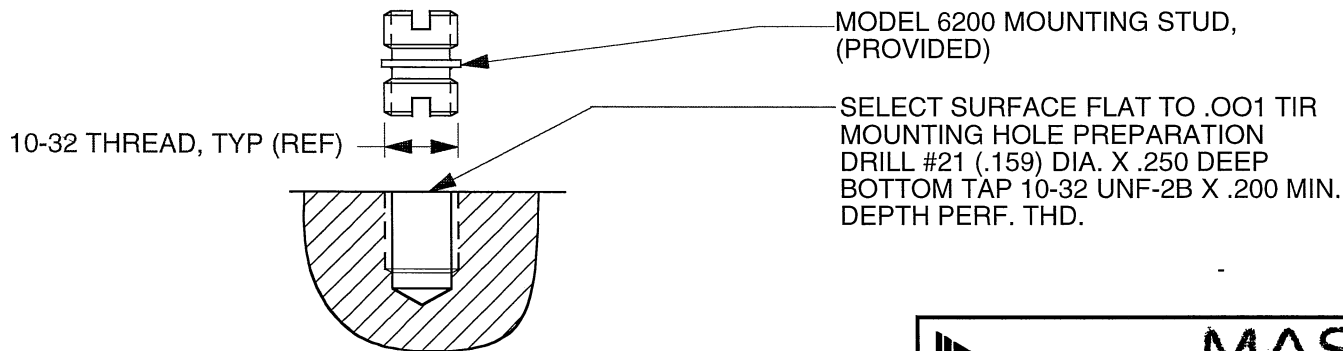
DYTRAN PROPRIETARY AND CONFIDENTIAL

THE INFORMATION CONTAINED IN THIS DRAWING IS THE SOLE PROPERTY OF DYTRAN INSTRUMENTS, INC. AND ANY REPRODUCTION IN PART OR AS A WHOLE OR ANY OTHER DISSEMINATION OF THIS INFORMATION WITHOUT THE WRITTEN PERMISSION OF DYTRAN INSTRUMENTS, INC. IS PROHIBITED.

REV	ECN	DESCRIPTION	BY/DATE	CHK	APPR
A	6539	INITIAL RELEASE	NC/2-02-10	<i>DW</i>	<i>Ans.</i>



MODEL 6215 THERMAL BOOT,  
(PROVIDED)



MODEL 6200 MOUNTING STUD,  
(PROVIDED)

SELECT SURFACE FLAT TO .001 TIR  
MOUNTING HOLE PREPARATION  
DRILL #21 (.159) DIA. X .250 DEEP  
BOTTOM TAP 10-32 UNF-2B X .200 MIN.  
DEPTH PERF. THD.

1. MOUNTING TORQUE ON 5/8 HEX: 20 TO 25 LB-INCHES. DO NOT OVERTORQUE.
2. CASE MATERIAL-300 SERIES STAINLESS STEEL.
3. WEIGHT-58 GRAMS.

EXCEPT AS OTHERWISE NOTED	
ALL DIMENSIONS IN INCHES TOLERANCE: .XXX = ± .005	.XX = ± .01
SURFACE FINISH EXCEPT AS NOTED	<input checked="" type="checkbox"/>
BREAK EDGES TO DEBURR RADIUS OR CHAMFER	
THESE DIAS TO	T.I.R.
FILLETS -	MAX RAD.

		<h1>MASTER</h1> <p>ONLY IF IN RED</p>		CHATSWORTH, CA.	
SCALE	DESIGN	DATE			
2X	N.C.	2/02/10			
DRAWN	DATE	PART NO.			
N.C.	2/02/10				
CHECKED	DATE	MATL			
<i>DW</i>	2/9/10				
APPROVED	DATE	NEXT ASSEMBLY	USED ON		
<i>Ans.</i>	2/9/10				
TITLE			DWG NO.		
OUTLINE/INSTALLATION DRAWING, MODEL 3100D24T (MODEL 3100D24 WITH TEDS)			127-3100D24T		
			SHEET 1 OF 1		

## SPECIFICATIONS

### MODEL 3100D24T LIVM ACCELEROMETER

SPECIFICATION	VALUE	UNITS
RANGE F.S. FOR $\pm 5$ VOLTS OUTPUT	$\pm 5$	g's
SENSITIVITY, $\pm 5\%$ [1]	1000	mV/g
EQUIVALENT ELECTRICAL NOISE FLOOR	.0004	g's RMS
FREQUENCY RANGE, $\pm 5\%$	1 to 1000	Hz
MOUNTED RESONANT FREQUENCY, NOM.	26	kHz
LINEARITY [2]	$\pm 2\%$	% F.S.
TRANSVERSE SENSITIVITY, MAX.	5	%
OUTPUT IMPEDANCE, TYP.	150	Ohms
BIAS VOLTAGE, +12 VOLTS NOM.	+ 11 to + 13	VDC
DISCHARGE TIME CONSTANT, NOM.	1	SEC
TEMPERATURE RANGE	-60 to +250	$^{\circ}$ F
COEFFICIENT OF THERMAL SENSITIVITY	.03	%/ $^{\circ}$ F
MAXIMUM VIBRATION/SHOCK	100/200	$\pm$ g's/G's PEAK
SIZE, HEX x HEIGHT	.625 x 1.16	Inches
WEIGHT	55	Grams
CONNECTOR, RADially MOUNTED	10-32	Coaxial
MATERIAL, BASE, CAP & CONNECTOR	300 Series	Stainless Steel
SEAL, HERMETIC	Glass-to-metal and TIG welded	
ELECTRICAL ISOLATION, CASE GROUND TO MOUNTING SURFACE		10 Megohms, min.
SUPPLY CURRENT/COMPLIANCE VOLTAGE RANGE [3]	2 to 20/+18 to +30	mA/Volts

Accessories supplied: (1) Model 6200 mounting stud.  
 (1) Model 6215 thermal boot.

[1] Measured at 100 Hz, 1 G RMS per ISA RP 37.2.

[2] Measured using zero-based best straight line method, % of F.S. or any lesser range.

[3] Do not apply power to this device without current limiting, 20 mA MAX. To do so will destroy the integral IC amplifier.