

Paddle-Wheel Flow Sensor/Switch for Easy On/Off Control



8032

BRASS, INLINE Quarter-Turn

- ✓ **ON/OFF Control System for Switching Applications**
- ✓ **Programmable ON/OFF Control System for easy Fluid Control Systems**
- ✓ **Complete Communication thanks to external Setpoint Link or AS-Interface**



Flow - On/Off Control

This paddle-wheel Flow Sensor/Switch is specially designed to switch a valve and establish an on/off control loop. The switching point can be programmed with the 3 key pads on the display or can optionally be programmed externally from a programmable logic controller over a 4...20 mA loop. The connection to the process in the piping is done with the „easy to connect“ quarter-turn technique of the INLINE fittings.

Process Specification

Pipe diameter	DN 15...DN 50
Measuring range	0.2 m/s...10 m/s
Switching accuracy	±1% fs.
Repeatability	0.4%
Fitting	Bürkert INLINE fitting S030
Housing material	PC+20% glass fibre
Front panel foil	Polyester
Sensor element	Paddle wheel
Wetted parts	PVDF, ceramic, FPM standard (EPDM option)

Electrical Specification

Voltage supply	12...30 VDC
Reversed polarity of DC	protected
Transistor output	NPN and PNP
	open collector 5...30 VDC, 700 mA
or	
Relay output	3 A/250 VAC, or 3 A/30 VDC; programmable
Input external Setpoint	4...20 mA
AS-Interface	Field bus
Current consumption	max. 80 mA (no Load)
Short circuit protection	yes
Recommended max. cable length	100 m shielded,
For voltage supply	section 0.14...0.5 mm ²

Electrical Connections

EaseOn	on request cable plug 2511
Cable plug	2508, DIN 43650A
Multipin	5 pin, M12
ASI connection	on request

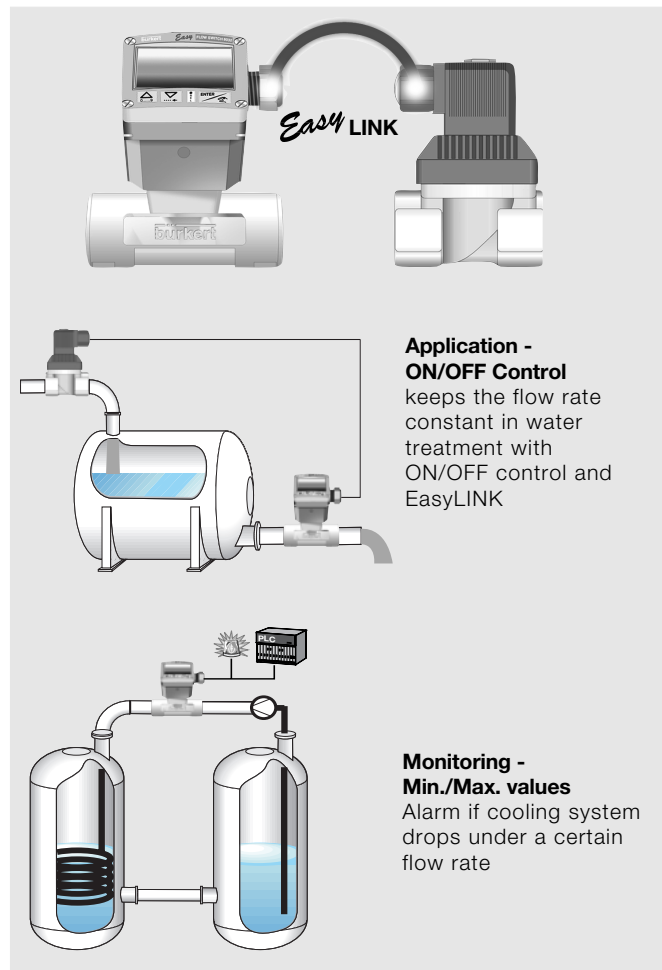
Environment Specifications

Fluid temperature max.	100°C
Ambient temperature range	0...+60°C
Fluid pressure max.	PN 16
Type of protection	IP 65 with connector plugged in

Standards

EMI	EN 50081-1, 50082-2, 61010-2
-----	------------------------------

Chemical restrictions (see manual SE32)



Application - ON/OFF Control
keeps the flow rate constant in water treatment with ON/OFF control and EasyLINK

Monitoring - Min./Max. values
Alarm if cooling system drops under a certain flow rate

Paddle-wheel Flow Sensor/Switch for Easy On/Off Control

SE32 Display and Electronic for INLINE fitting S030

Ordering Chart

Voltage supply	Input	Output	Connector	Item-No.
12-30 VDC	---	NPN	Cable plug 2508 (DIN 43 650)	436 474 J
12-30 VDC	---	PNP	Cable plug 2508 (DIN 43 650)	434 871 N
12-30 VDC	---	NPN and PNP	M12 plug, 5 pin	436 473 R
12-30 VDC	---	Relay	M12 plug and cable plug 2508 (DIN 43 650)	436 475 K
12-30 VDC	4...20 mA ext. set point	Relay	M12 and cable plug 2508 (DIN 43 650)	on request

Accessory for ON/OFF Flow Control System 8032

Ordering Chart

M12 female cable connector with plastic threaded locking ring	917 116 D
5 pin M12 female connector moulded on cable (2 m., shielded)	438 680 F

Has to be ordered separately

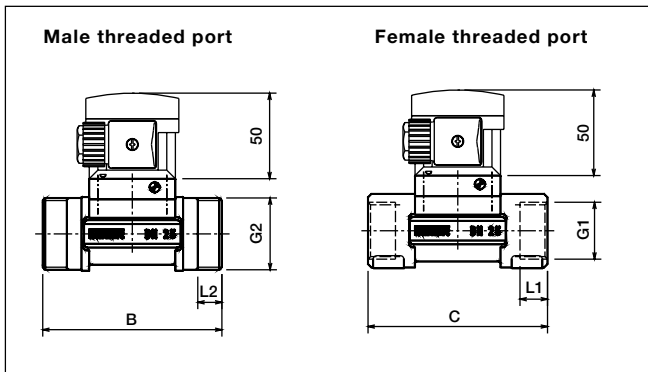
Fittings S030 - Ordering Chart - BRASS, INLINE Quarter-Turn

Specification	Item-No.					
	DN 15	DN 20	DN 25	DN 32	DN 40	DN 50
G-port connection (internal thread)	423 980 M	423 981 A	423 982 B	423 983 C	423 984 D	423 985 E
JIS (ISO 7)-port connection (internal thread)	423 992 D	423 993 E	423 994 F	423 995 G	423 996 H	423 997 A
NPT-port connection (internal thread)	423 986 F	423 987 G	423 988 R	423 989 J	423 990 P	423 991 C
G-port connection (external thread)	423 998 K	423 999 L	424 000 T	424 001 Q	424 002 R ¹⁾	424 003 J ¹⁾

¹⁾Metric thread

Has to be ordered separately

Dimensions [mm]

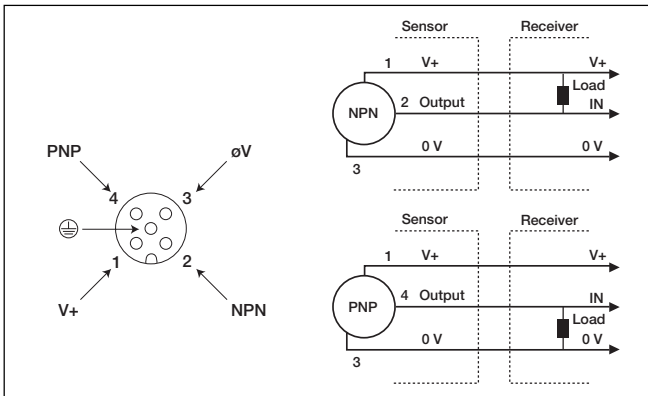


Variable dimensions [mm]

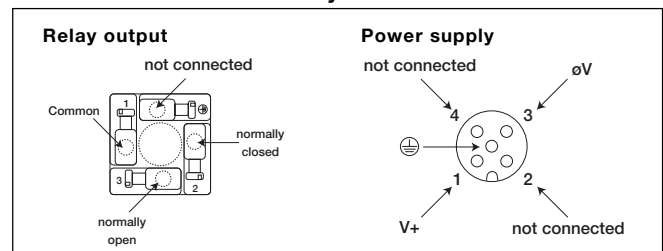
Brass

DN	outer ø	thickness	E										
			A	B	C	D	DIN ANSI	JIS	F	G1	L1	G2	L2
15	21,3	1,6	84	84	85	130	130	152	34,5	G ₁ /2	16	G ₁ /2	11,5
										NPT ₁ /2	17		
										Rc ₁ /2	15		
20	26,9	1,6	94	94	95	150	150	178	32	G ₁ /4	17	G ₁	13,5
										NPT ₁ /4	18,3		
										Rc ₁ /4	16,3		
25	33,7	2	104	104	105	160	160	216	32,2	G ₁	23,5	G ₁ -1/4	14
										NPT ₁	18		
										Rc ₁	18		
32	42,4	2	119	119	120	180	180	229	35,8	G ₁ -1/2	23,5	G ₁ -1/2	18
										NPT ₁ -1/2	21		
										Rc ₁ -1/2	21		
40	48,3	2	129	129	130	200	200	241	39,6	G ₁ -1/2	23,5	M55x2	19
										NPT ₁ -1/2	20		
										Rc ₁ -1/2	19		
50	60,3	2,6	149	149	150	230	230	267	45,7	G ₂	27,5	M64x2	20
										NPT ₂	24		
										Rc ₂	24		

Electrical connection - Transistor version (NPN/PNP)



Electrical connection - Relay version



In case of special application requirements, please consult for advice.

We reserve the right to make technical changes without notice.
910-GB/ 1-0197