

# 160PC...-PCB Series

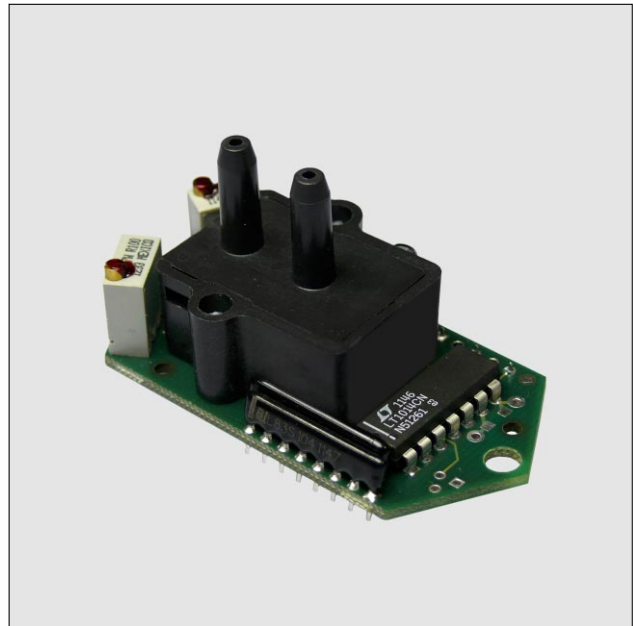
## Fully signal conditioned low pressure transducer

### FEATURES

- Pressure ranges from 0...±2.5 inH<sub>2</sub>O (0...±6.4 cm H<sub>2</sub>O) to -20...120 cm H<sub>2</sub>O
- 1...6 V output
- Output ratiometric to supply voltage
- Precision temperature compensated and calibrated
- EMC-proof

### SERVICE

Non-corrosive, non-ionic working fluids, such as dry air and dry gases

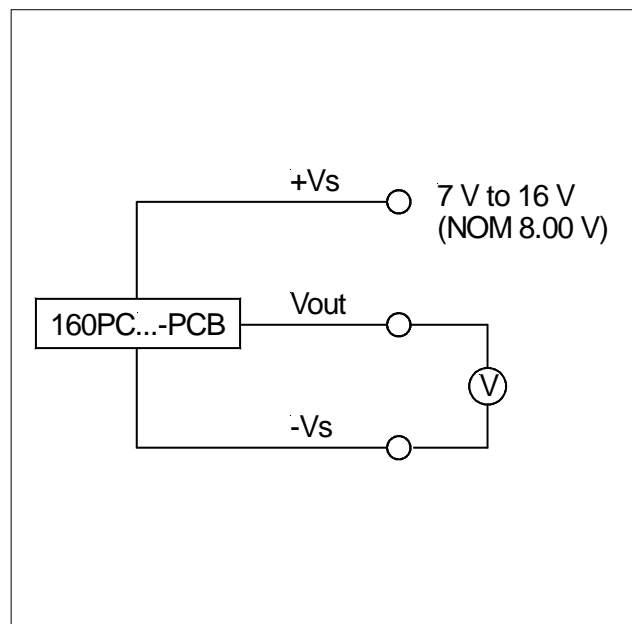


### SPECIFICATIONS

#### Maximum ratings

Excitation voltage	7...16 V
Output current	
Source	10 mA
Sink	5 mA
Output load capacitance	10 nF
Temperature limits	
Operating	-25 to +85°C
Storage	-40 to +125°C
Compensated	-18 to +63°C
Humidity (non-condensing)	0 - 95 %RH
Proof pressure <sup>1</sup>	350 mbar

### ELECTRICAL CONNECTION



# 160PC...-PCB Series

## Fully signal conditioned low pressure transducer

### **161PC01D-PCB PERFORMANCE CHARACTERISTICS**

(unless otherwise noted,  $V_s = 8.00\text{ V}$ ,  $R_L > 100\text{ k}\Omega$ ,  $t_{amb} = 25^\circ\text{C}$ )

Characteristics	Min.	Typ.	Max.	Unit
Operating pressure	0		-1.0	psid
Zero pressure offset	0.95	1.00	1.05	V
Span <sup>4</sup>		5.0		
Full scale output	5.90	6.00	6.10	
Thermal effects (-18 to +63°C) <sup>3</sup>	Offset		±1.0	%FSS
	Span		±1.0	
	Combined offset and span		±1.0	
Non-linearity (BSL) <sup>2</sup>			±1.0	
Hysteresis and repeatability		±0.15		
Ratiometricity	7 to 8 V and 8 to 9 V		±0.5	
	9 to 12 V		±2.0	
Current consumption (no load)			20.0	mA
Response time			1	msec
Radiated, radio frequency electromagnetic field immunity (RFI), EN6100-4-3 grade 3, 80 to 1000 MHz, 80 % AMC (1 KHz)	10			V/m

### **162PC01D-PCB PERFORMANCE CHARACTERISTICS**

(unless otherwise noted,  $V_s = 8.00\text{ V}$ ,  $R_L > 100\text{ k}\Omega$ ,  $t_{amb} = 25^\circ\text{C}$ )

Characteristics	Min.	Typ.	Max.	Unit
Operating pressure	0		1.0	psid
Zero pressure offset	0.95	1.00	1.05	V
Span <sup>4</sup>		5.00		
Full scale output	5.90	6.00	6.10	
Thermal effects <sup>3</sup> (-18 to +63°C)	Offset		±1.0	%FSS
	Span		±1.0	
	Combined offset and span		±1.0	
Non-linearity (BSL) <sup>2</sup>			±1.0	
Hysteresis and repeatability		±0.15		
Ratiometricity	7 to 8 V and 8 to 9 V		±0.5	
	9 to 12 V		±2.0	
Current consumption (no load)			20.0	mA
Response time			1	msec
Radiated, radio frequency electromagnetic field immunity (RFI), EN6100-4-3 grade 3, 80 to 1000 MHz, 80 % AMC (1 KHz)	10			V/m

# 160PC...-PCB Series

## Fully signal conditioned low pressure transducer

### **163PC01D36-PCB PERFORMANCE CHARACTERISTICS**

(unless otherwise noted,  $V_s = 8.00\text{ V}$ ,  $R_L > 100\text{ k}\Omega$ ,  $t_{amb} = 25^\circ\text{C}$ )

Characteristics		Min.	Typ.	Max.	Unit
Operating pressure		-5		+5	inH <sub>2</sub> O
Zero pressure offset		3.45	3.50	3.55	V
Output voltage	at -5" H <sub>2</sub> O	0.80	1.00	1.20	
	at +5" H <sub>2</sub> O	5.90	6.00	6.10	
Thermal effects (+5 to +45°C) <sup>3</sup>	Offset			±1.0	%FSS
	Span			±1.0	
	Combined offset and span			±1.0	
Non-linearity (BSL) <sup>2</sup>				±1.0	
Hysteresis and repeatability			±0.25		
Ratiometricity	7 to 8 V and 8 to 9 V		±0.5		
	9 to 12 V		±2.0		
Current consumption (no load)				20.0	mA
Response time				1	msec
Radiated, radio frequency electromagnetic field immunity (RFI), EN6100-4-3 grade 3, 80 to 1000 MHz, 80 % AMC (1 KHz)		10			V/m

### **164PC01D37-PCB PERFORMANCE CHARACTERISTICS**

(unless otherwise noted,  $V_s = 8.00\text{ V}$ ,  $R_L > 100\text{ k}\Omega$ ,  $t_{amb} = 25^\circ\text{C}$ )

Characteristics		Min.	Typ.	Max.	Unit
Operating pressure		0		10	inH <sub>2</sub> O
Zero pressure offset		0.95	1.00	1.05	V
Span <sup>4</sup>			5.0		
Full scale output		5.90	6.00	6.10	
Thermal effects (+5 to +45°C) <sup>3</sup>	Offset			±1.0	%FSS
	Span			±1.0	
	Combined offset and span			±1.0	
Non-linearity (BSL) <sup>2</sup>				±1.0	
Hysteresis and repeatability			±0.25		
Ratiometricity	7 to 8 V and 8 to 9 V		±0.5		
	9 to 12 V		±2.0		
Current consumption (no load)				20.0	mA
Response time				1	msec
Radiated, radio frequency electromagnetic field immunity (RFI), EN6100-4-3 grade 3, 80 to 1000 MHz, 80 % AMC (1 KHz)		10			V/m

# 160PC...-PCB Series

## Fully signal conditioned low pressure transducer

### **163PC01D75-PCB PERFORMANCE CHARACTERISTICS**

(unless otherwise noted,  $V_s = 8.00\text{ V}$ ,  $R_L > 100\text{ k}\Omega$ ,  $t_{amb} = 25^\circ\text{C}$ )

Characteristics		Min.	Typ.	Max.	Unit
Operating pressure		-2.5		+2.5	inH <sub>2</sub> O
Zero pressure offset		3.45	3.50	3.55	V
Output	at -2.5" H <sub>2</sub> O	0.80	1.00	1.20	
	at +2.5" H <sub>2</sub> O	5.90	6.00	6.10	
Thermal effects (+5 to +45°C) <sup>3</sup>	Offset			±1.25	%FSS
	Span			±1.25	
	Combined offset and span			±1.25	
Non-linearity (BSL) <sup>2</sup>				±1.0	
Hysteresis and repeatability			±0.25		
Ratiometricity	7 to 8 V and 8 to 9 V		±0.5		
	9 to 12 V		±2.0		
Current consumption (no load)				20.0	mA
Response time				1	msec
Radiated, radio frequency electromagnetic field immunity (RFI), EN6100-4-3 grade 3, 80 to 1000 MHz, 80 % AMC (1 KHz)		10			V/m

### **164PC01D76-PCB PERFORMANCE CHARACTERISTICS**

(unless otherwise noted,  $V_s = 8.00\text{ V}$ ,  $R_L > 100\text{ k}\Omega$ ,  $t_{amb} = 25^\circ\text{C}$ )

Characteristics		Min.	Typ.	Max.	Unit
Operating pressure		0		5	inH <sub>2</sub> O
Zero pressure offset		0.95	1.00	1.05	V
Span <sup>4</sup>			5.0		
Full scale output		5.90	6.00	6.10	
Thermal effects (+5 to +45°C) <sup>3</sup>	Offset			±1.25	%FSS
	Span			±1.25	
	Combined offset and span			±1.25	
Non-linearity (BSL) <sup>2</sup>				±1.0	
Hysteresis and repeatability			±0.25		
Ratiometricity	7 to 8 V and 8 to 9 V		±0.5		
	9 to 12 V		±2.0		
Current consumption (no load)				20.0	mA
Response time				1	msec
Radiated, radio frequency electromagnetic field immunity (RFI), EN6100-4-3 grade 3, 80 to 1000 MHz, 80 % AMC (1 KHz)		10			V/m

# 160PC...-PCB Series

## Fully signal conditioned low pressure transducer

### **163PC01D48-PCB PERFORMANCE CHARACTERISTICS**

(unless otherwise noted,  $V_s = 10.00\text{ V}$ ,  $R_L > 100\text{ k}\Omega$ ,  $t_{amb} = 25^\circ\text{C}$ )

Characteristics		Min.	Typ.	Max.	Unit
Operating pressure		-20		120	cm H <sub>2</sub> O
Zero pressure offset		1.59	1.74	1.89	V
Output	at -20 cm H <sub>2</sub> O		1.00		
	at 120 cm H <sub>2</sub> O	5.82	5.97	6.12	
Thermal effects (+5 to +45°C) <sup>3</sup>	Offset			±1.0	%FSS
	Span			±1.0	
	Combined offset and span			±1.0	
Non-linearity (BSL) <sup>2</sup>				±1.0	
Hysteresis and repeatability			±0.15		
Ratiometricity	9 to 10 V and 10 to 11 V		±0.5		
	7 to 10 V and 11 to 12 V		±2.0		
Current consumption (no load)				20.0	mA
Response time				1	msec
Radiated, radio frequency electromagnetic field immunity (RFI), EN6100-4-3 grade 3, 80 to 1000 MHz, 80 % AMC (1 KHz)		10			V/m

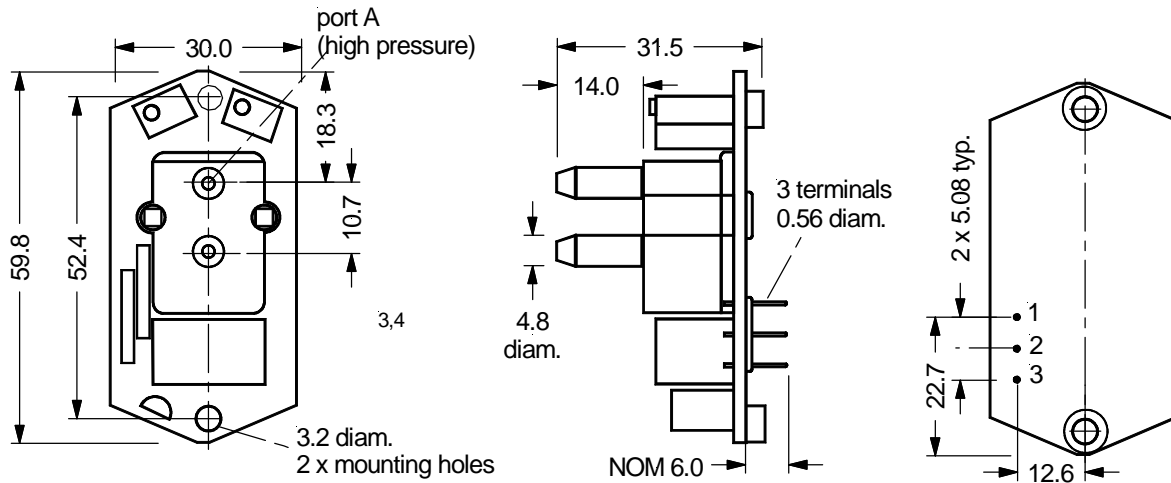
#### **Specification notes:**

1. Proof pressure is the maximum pressure which may be applied without causing damage to the sensing element.
2. Non-linearity - the maximum deviation of measured output at constant temperature, from "Best Straight Line" through three points (offset pressure, full scale pressure and 1/2 full scale pressure).
3. Thermal effects tested and guaranteed in the specified temperature ranges relative to 25°C. All specifications shown are relative to 25°C.
4. Span is the algebraic difference between lowest and highest specified pressure.

# 160PC...-PCB Series

## Fully signal conditioned low pressure transducer

### OUTLINE DRAWING



mass: 20 g

pin	connection
1	+Vs
2	-Vs
3	Vout

dimensions in mm

### ORDERING INFORMATION

Operating pressure	Part number
0...-1 psid	161PC01D-PCB
0...+1 psid	162PC01D-PCB
-5...+5 inH <sub>2</sub> O	163PC01D36-PCB
0...+10 inH <sub>2</sub> O	164PC01D37-PCB
-2.5...+2.5 inH <sub>2</sub> O	163PC01D75-PCB
0...+5 inH <sub>2</sub> O	164PC01D76-PCB
-20...+120 cm H <sub>2</sub> O	163PC01D48-PCB

**Custom calibrations are widely available. Please contact First Sensor.**

First Sensor reserves the right to make changes to any products herein. First Sensor does not assume any liability arising out of the application or use of any product or circuit described herein, neither does it convey any license under its patent rights nor the rights of others.