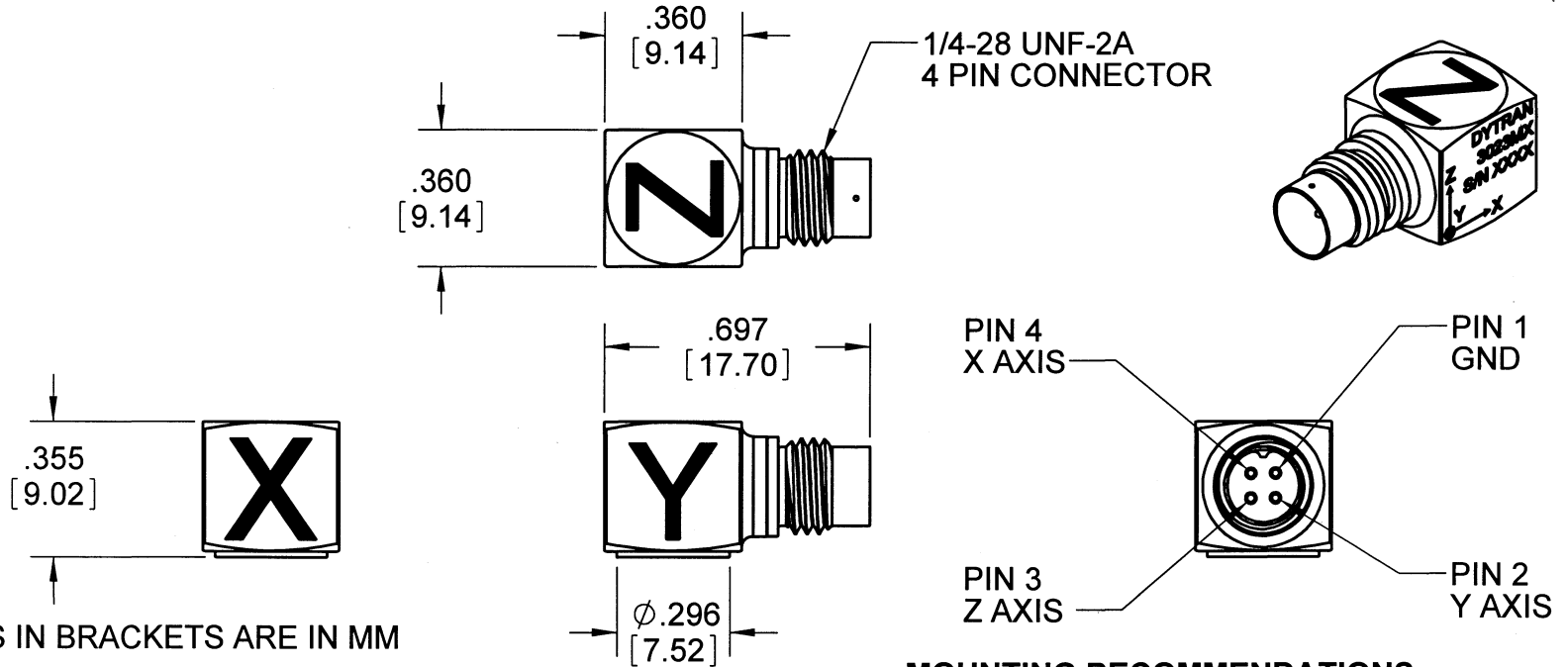


PROPRIETARY AND CONFIDENTIAL

THE INFORMATION CONTAINED IN THIS DRAWING IS THE SOLE PROPERTY OF DYTRAN INSTRUMENTS INC. ANY REPRODUCTION IN PART OR AS A WHOLE WITHOUT THE WRITTEN PERMISSION OF DYTRAN INSTRUMENTS, INC. IS PROHIBITED

REVISIONS

REV	ECN	DESCRIPTION	BY/DATE	CHK	APPR
A	5799	INITIAL RELEASE	02/19/09	<i>DW</i>	<i>AWs</i>



5. DIMENSIONS IN BRACKETS ARE IN MM
4. SENSITIVITY: 10mV/g
3. HOUSING/CONNECTOR MATERIAL: TITANIUM
2. ARROWS INDICATE DIRECTIONS OF ACCELERATION FOR POSITIVE OUTPUT
1. WEIGHT 3.0 GRAMS

MOUNTING RECOMMENDATIONS
 PREPARE A SURFACE AT LEAST .300 BY .300. SURFACE FLATNESS MUST BE EQUAL OR BETTER THAN .0001 TIR. USE ONE DROP OF CYANOACRYLATE TO MOUNT THE ACCELEROMETER.

NOTES

UNLESS OTHERWISE SPECIFIED: INTERPRET DIM & TOL PER ASME Y14.5M - 1994. REMOVE BURRS. COUNTERSINK INTERNAL THDS 90° TO MAJOR DIA. CHAM EXT THDS 45° TO MINOR DIA. THD LENGTHS AND DEPTHS ARE FOR MIN FULL THDS. THDS PER MIL-S-7742. DIMENSIONS APPLY AFTER FINISHING.		UNLESS OTHERWISE SPECIFIED: DIMENSIONS ARE IN INCHES. TOLERANCES ARE: DECIMALS ANGLES .XX ± .010 ± 1° .XXX ± .005		CONTRACT NO.		<p>MASTER ONLY IF IN RED</p> Chatsworth, CA			
				TITLE: OUTLINE/INSTALLATION DRAWING DRAWING 3023M27					
APPLICATION THIRD ANGLE PROJECTION USA		MATERIAL FINISH DO NOT SCALE DRAWING		APPROVALS ORIG JLS 02/19/09 CHK <i>DW</i> 2/19/09 APP <i>AWs</i> 2/20/09 APP		SIZE A	CAGE CODE 2W033	DWG. NO. 127-3023M27	REV A
ALL MACHINED SURFACES. TOTAL RUNOUT WITHIN .005. BREAK SHARP EDGES .005 TO .010. MACHINED FILLET RADII .005 TO .015. WELDING SYMBOLS PER AWS A2.4. ABBREVIATIONS PER MIL-STD-12				SCALE: 1:1		SOLIDWORKS		SHEET 1 OF 1	

MODEL NUMBER 3023M27	PERFORMANCE SPECIFICATION	DOC NO. PS3023M27
	ACCELEROMETER, TRIAXIAL, IEPE	REV G, ECN 13417, 04/20/17



- HIGH TEMPERATURE
- HERMETICALLY SEALED
- MINIATURE SIZE

PHYSICAL

Weight
Mounting
Connector [1]
Material, Housing / Connector

ENGLISH		SI	
0.11	oz	3.0	grams
Adhesive		Adhesive	
4-pin		4-pin	
Titanium		Titanium	

PERFORMANCE

Sensitivity, -10 /+15% [2]
Range F.S. (each axis)
Frequency Response, -5 /+15%
Element Natural Frequency
Equivalent Electrical Noise
Spectral Noise
Linearity [3]
Transverse Sensitivity Max
Signal Polarity

	ENGLISH		SI	
Sensitivity	10	mV/g	1	mV/m/s ²
Range	±500	g	± 4905	m/s ²
Frequency Response	1.2 to 10000	Hz	1.2 to 10000	Hz
Element Natural Frequency	30	kHz	30	kHz
Equivalent Electrical Noise	0.007	Grms	0.069	m/s ² rms
Spectral Noise	1.25Hz	Grms/v(Hz)	0.029	m/s ² rms/v(Hz)
	10Hz	Grms/v(Hz)	0.010	m/s ² rms/v(Hz)
	100Hz	Grms/v(Hz)	0.0020	m/s ² rms/v(Hz)
	1000Hz	Grms/v(Hz)	0.00049	m/s ² rms/v(Hz)
Linearity	0.00004	Grms/v(Hz)	0.00039	m/s ² rms/v(Hz)
Linearity [3]	1	%F.S.	1	%F.S.
Transverse Sensitivity Max	6	%	6	%
Signal Polarity	[5]		[5]	

ENVIRONMENTAL

Maximum Shock
Maximum Vibration
Temperature Range
Environmental Seal [6]
Coefficient of Thermal Sensitivity

5000	g pk	49050	m/s ²
±600	g pk	±5880	m/s ²
-60 to +250	°F	-51 to +121	°C
Hermetic		Hermetic	
0.03	% / °F	0.06	% / °C

ELECTRICAL

Supply Current Range [4]
Compliance Voltage Range
Output Impedance, Typ.
Output Bias Voltage
Discharge Time Constant

2 to 20	mA	2 to 20	mA
+18 to +30	VDC	+18 to +30	VDC
100	Ω	100	Ω
+7 to +9	VDC	+7 to +9	VDC
0.2 to 1.0	sec	0.2 to 1.0	sec

This family also includes:

Model	Sensitivity (mV/g)	Range (Gpeak)	Resolution (grms)	Oper. Temp (°F)	TC (sec.)
3023A5	1	5000	0.08	250	0.2 to 1.0

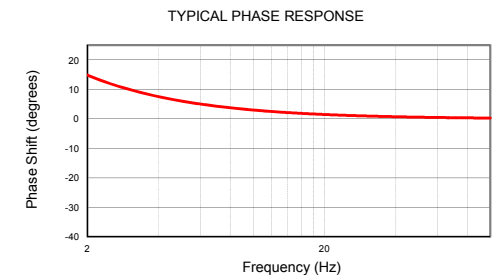
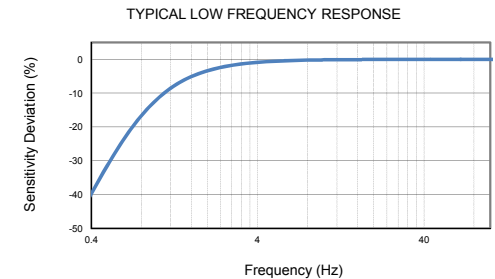
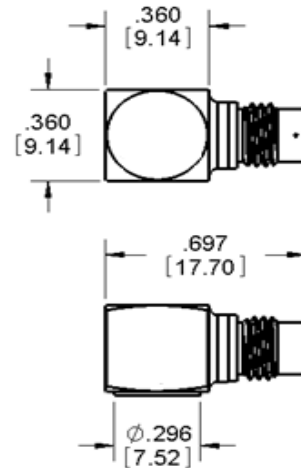
Refer to the performance specifications of the products in this family for detailed description.

Supplied Accessories:

- 1) Accredited Calibration Certificate (ISO 17025)
- 2) Model 6200 Mounting Stud, Qty 1.

Notes:

- [1] Connector mates with Dytran cable assy. Model 6811AXX. (xx = length in feet)
- [2] Measured At 100 Hz, 1 Grms per ISA RP 37.2
- [3] Measured using zero-based best straight-line method, % of F.S. or any lesser range.
- [4] Power only with Dytran IEPE power unit or other Dytran-compatible constant current type power unit. If power is applied without current limiting protection, the internal amplifier will be destroyed.
- [5] Positive for motion in direction of arrows on housing.
- [6] Low outgassing, use with Dytran cable assembly model 6951AXX (XX=Length in feet)



Units on the line drawing are in inches, units in brackets are in millimeters. Refer to 127-3023M27 for more information.



21592 Marilla Street, Chatsworth, California 91311 Phone: 818.700.7818 Fax:818.700.7880
www.dytran.com For permission to reprint this content, please contact info@dytran.com