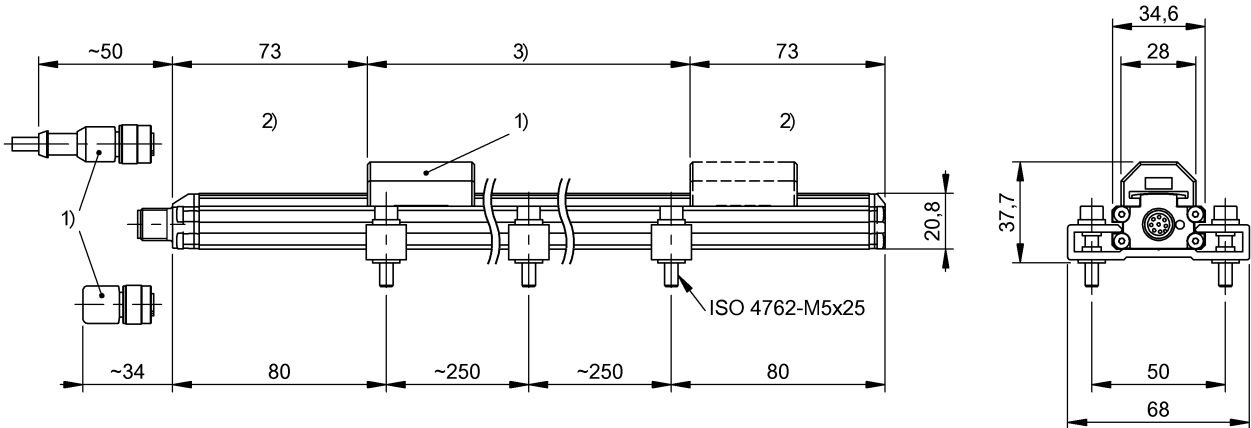


**BTL6-E500-M0200-PF-S115**  
**Ordering code: BTL0PA6**

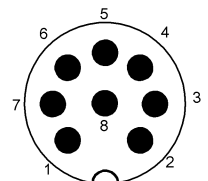
**Micropulse transducers**  
**Series Profile**

**Output signal 4...20 mA**  
**Nominal stroke 200 mm**

**BALLUFF**  
*sensors worldwide*



Pin	
1	NC
2	0V
3	NC
4	Lb
5	4...20 mA
6	GND
7	+24 V DC
8	Lb



1) Not incl. in scope of del., 2) Unusable area, 3) Nom. stroke = Meas. length

**Characteristic data**

Output signal 4...20 mA  
 Connection Connector, M12  
 Operating voltage 10...30 V DC  
 No of magnets, factory setting 1

**Electrical data**

Ripple 0.5 Vpp  
 Current consumption (at 24 V DC) ≤ 150 mA  
 Inrush current ≤ 3 A / 0.5 ms  
 Overvoltage protected Up to 36 V  
 Voltage-proof (GND – housing) 500 V DC  
 Galvanic isolation No  
 Output signal adjustable Via programming inputs  
 Number of magnets max. 1  
 For dynamic loop applications No  
 Programming inputs 10 ... 30 V DC, High-active  
 Error signal Ia rising 3.6 mA

**Mechanical data**

Version Type PF  
 Mounting type Mounting clamps  
 nominal stroke min. 50 mm  
 nominal stroke max. 4572 mm  
 Connector type M12  
 Cable/connector out Axial  
 Number of pins 8  
 Housing material Anodized aluminum

Resolution 700 nA  
 Repeat accuracy ±5 µm  
 TK, typ. (at 50% of 500 mm) ≤ 30 ppm/K  
 Ambient temperature Ta min. -25 °C  
 Ambient temperature Ta max. 70 °C  
 Storage temperature min. -40 °C  
 Storage temperature max. 100 °C  
 Relative humidity < 90 %, non-condensing  
 Null point 73 mm

**Basic data**

Short-circuit protected to GND and to 36 V DC  
 Protected against polarity reversal Up to 36 V  
 Enclosure Type per IEC 60529 IP67 (with connector)  
 EN 60068-2-27 (shock) 50 g / 6 ms  
 EN 60068-2-29 (cont. shock) 50 g / 2 ms  
 EN 60068-2-6 (vibration) 12 g, 10...2000 Hz  
 EN 60068-2-64 (noise) 5 g, 10...2000 Hz  
 EN 55016-2-3 (emission) Indust. and residential area  
 EN 61000-4-2 (ESD) Severity Level 3  
 EN 61000-4-3 (RFI) Severity Level 3  
 EN 61000-4-4 (burst) Severity Level 3  
 EN 61000-4-5 (surge) Severity Level 2  
 EN 61000-4-6 (HF fields) Severity Level 3  
 EN 61000-4-8 (magnetic fields) Severity Level 4  
 Approvals CE, cURus

**Remarks**

**BTL6-E500-M0200-PF-S115**  
**Ordering code: BTL0PA6**

**Micropulse transducers**  
**Series Profile**

**Output signal 4...20 mA**  
**Nominal stroke 200 mm**

**BALLUFF**  
*sensors worldwide*

