



# Multiple RPM-Based PWM Fan Controller for Five Fans

## PRODUCT FEATURES

Datasheet

### General Description

The EMC2305 is an SMBus compliant fan controller with up to five independently controlled PWM fan drivers. Each fan driver is controlled by a programmable frequency PWM driver and Fan Speed Control algorithm that operates in either a closed loop fashion or as a directly PWM-controlled device.

The closed loop Fan Speed Control algorithm (FSC) has the capability to detect aging fans and alert the system. It will likewise detect stalled or locked fans and trigger an interrupt.

Additionally, the EMC2305 offers a clock output so that multiple devices may be chained and slaved to the same clock source for optimal performance in large distributed systems.

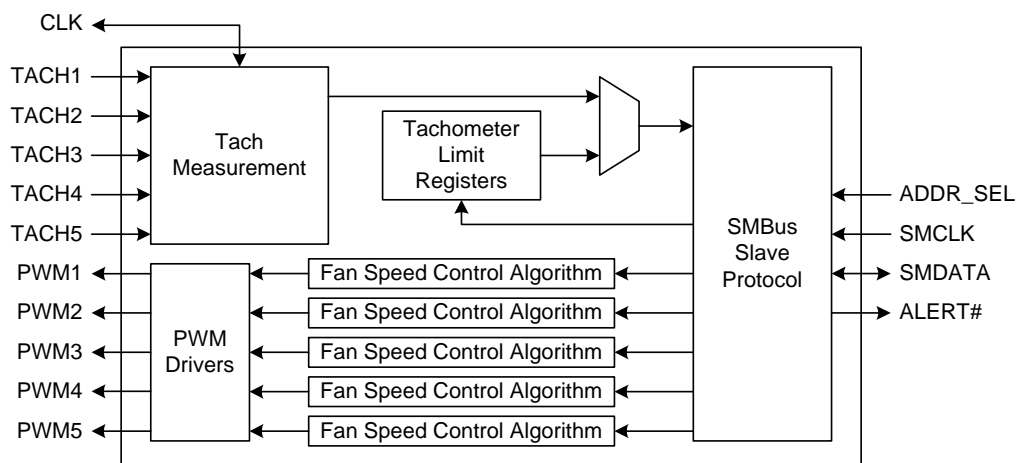
### Applications

- Servers
- Projectors
- Industrial and Networking Equipment
- Notebook Computers

### Features

- Five Programmable Fan Control circuits (EMC2305)
  - 4-wire fan compatible
  - High speed PWM (26 kHz)
  - Low speed PWM (9.5Hz - 2240 Hz)
  - Optional detection of aging fans
  - Fan Spin Up Control and Ramp Rate Control
  - Alert on Fan Stall
  - Up to 3 Selectable Default Fan Speeds
- Watchdog Timer
- RPM-based fan control algorithm
  - 0.5% accuracy from 500 RPM to 16k RPM (external crystal oscillator)
  - 1% accuracy from 500 RPM to 16k RPM (internal clock)
- SMBus 2.0 Compliant
  - Up to 6 selectable SMBus addresses
  - SMBus Alert compatible
- CLK Pin can provide a clock source output
- Available in a 16-pin 4mm x 4mm QFN Lead-free RoHS Compliant package

### Block Diagram



**Order Number:**

| ORDERING NUMBER | PACKAGE                                  | FEATURES                                       |
|-----------------|--|--|
| EMC2305-1-AP-TR | 16-pin QFN (Lead-free<br>RoHS compliant) | Five RPM-based fan speed control<br>algorithms |

**This product meets the halogen maximum concentration values per IEC61249-2-21  
For RoHS compliance and environmental information, please visit [www.smisc.com/rohs](http://www.smisc.com/rohs)**



80 ARKAY DRIVE, HAUPPAUGE, NY 11788 (631) 435-6000 or 1 (800) 443-SEMI

Copyright © 2011 SMSC or its subsidiaries. All rights reserved.

Circuit diagrams and other information relating to SMSC products are included as a means of illustrating typical applications. Consequently, complete information sufficient for construction purposes is not necessarily given. Although the information has been checked and is believed to be accurate, no responsibility is assumed for inaccuracies. SMSC reserves the right to make changes to specifications and product descriptions at any time without notice. Contact your local SMSC sales office to obtain the latest specifications before placing your product order. The provision of this information does not convey to the purchaser of the described semiconductor devices any licenses under any patent rights or other intellectual property rights of SMSC or others. All sales are expressly conditional on your agreement to the terms and conditions of the most recently dated version of SMSC's standard Terms of Sale Agreement dated before the date of your order (the "Terms of Sale Agreement"). The product may contain design defects or errors known as anomalies which may cause the product's functions to deviate from published specifications. Anomaly sheets are available upon request. SMSC products are not designed, intended, authorized or warranted for use in any life support or other application where product failure could cause or contribute to personal injury or severe property damage. Any and all such uses without prior written approval of an Officer of SMSC and further testing and/or modification will be fully at the risk of the customer. Copies of this document or other SMSC literature, as well as the Terms of Sale Agreement, may be obtained by visiting SMSC's website at <http://www.smisc.com>. SMSC is a registered trademark of Standard Microsystems Corporation ("SMSC"). Product names and company names are the trademarks of their respective holders.

**SMSC DISCLAIMS AND EXCLUDES ANY AND ALL WARRANTIES, INCLUDING WITHOUT LIMITATION ANY AND ALL IMPLIED WARRANTIES OF MERCHANTABILITY, FITNESS FOR A PARTICULAR PURPOSE, TITLE, AND AGAINST INFRINGEMENT AND THE LIKE, AND ANY AND ALL WARRANTIES ARISING FROM ANY COURSE OF DEALING OR USAGE OF TRADE. IN NO EVENT SHALL SMSC BE LIABLE FOR ANY DIRECT, INCIDENTAL, INDIRECT, SPECIAL, PUNITIVE, OR CONSEQUENTIAL DAMAGES; OR FOR LOST DATA, PROFITS, SAVINGS OR REVENUES OF ANY KIND; REGARDLESS OF THE FORM OF ACTION, WHETHER BASED ON CONTRACT; TORT; NEGLIGENCE OF SMSC OR OTHERS; STRICT LIABILITY; BREACH OF WARRANTY; OR OTHERWISE; WHETHER OR NOT ANY REMEDY OF BUYER IS HELD TO HAVE FAILED OF ITS ESSENTIAL PURPOSE, AND WHETHER OR NOT SMSC HAS BEEN ADVISED OF THE POSSIBILITY OF SUCH DAMAGES.**

## Table of Contents

|                  |   |           |
|------------------|---|-----------|
| <b>Chapter 1</b> | <b>Pin Description</b>                                | <b>7</b>  |
| <b>Chapter 2</b> | <b>Electrical Specifications</b>                      | <b>10</b> |
| 2.1              | Electrical Specifications                             | 10        |
| 2.2              | SMBus Electrical Specifications                       | 11        |
| <b>Chapter 3</b> | <b>Communications</b>                                 | <b>13</b> |
| 3.1              | System Management Bus Interface Protocol              | 13        |
| 3.1.1            | SMBus Start Bit                                       | 13        |
| 3.1.2            | SMBus Address and RD / WR Bit                         | 13        |
| 3.1.3            | SMBus Data Bytes                                      | 14        |
| 3.1.4            | SMBus ACK and NACK Bits                               | 14        |
| 3.1.5            | SMBus Stop Bit  | 14        |
| 3.1.6            | SMBus Time-out  | 14        |
| 3.1.7            | SMBus and I <sup>2</sup> C Compliance                 | 14        |
| 3.2              | SMBus Protocols                                       | 15        |
| 3.2.1            | Write Byte  | 15        |
| 3.2.2            | Read Byte   | 15        |
| 3.2.3            | Send Byte   | 15        |
| 3.2.4            | Receive Byte  | 16        |
| 3.2.5            | Block Write Protocol                                  | 16        |
| 3.2.6            | Block Read Protocol                                   | 16        |
| 3.2.7            | Alert Response Address                                | 16        |
| <b>Chapter 4</b> | <b>Product Description</b>                            | <b>18</b> |
| 4.1              | Fan Control Modes of Operation                        | 18        |
| 4.2              | PWM Fan Driver  | 19        |
| 4.3              | RPM-based Fan Speed Control Algorithm (FSC)           | 19        |
| 4.3.1            | Programming the RPM-based Fan Speed Control Algorithm | 20        |
| 4.4              | Tachometer Measurement                                | 20        |
| 4.4.1            | Stalled Fan   | 21        |
| 4.4.2            | Aging Fan or Invalid Drive Detection                  | 21        |
| 4.5              | CLK Pin   | 21        |
| 4.5.1            | Pull Up Decode  | 21        |
| 4.5.2            | External Clock  | 22        |
| 4.5.3            | Internal Clock  | 22        |
| 4.6              | Spin Up Routine                                       | 22        |
| 4.6.1            | Power Up Options                                      | 23        |
| 4.7              | Ramp Rate Control                                     | 23        |
| 4.8              | Watchdog Timer  | 24        |
| 4.8.1            | Power Up Operation                                    | 24        |
| 4.8.2            | Continuous Operation                                  | 25        |
| <b>Chapter 5</b> | <b>Register Set</b>                                   | <b>26</b> |
| 5.1              | Register Map  | 26        |
| 5.1.1            | Lock Entries  | 31        |
| 5.2              | Configuration Register                                | 31        |
| 5.3              | Fan Status Registers                                  | 32        |
| 5.3.1            | Fan Status - 24h                                      | 32        |
| 5.3.2            | Fan Stall Status - 25h                                | 33        |

|                  |                                     |           |
|------------------|-------------------------------------|-----------|
| 5.3.3            | Fan Spin Status - 26h               | 33        |
| 5.3.4            | Fan Drive Fail Status - 27h         | 33        |
| 5.4              | Fan Interrupt Enable Register       | 33        |
| 5.5              | PWM Configuration Registers         | 34        |
| 5.5.1            | PWM Polarity Config - 2Ah           | 34        |
| 5.5.2            | PWM Output Config - 2Bh             | 34        |
| 5.6              | PWM Base Frequency Registers        | 35        |
| 5.6.1            | PWM Base Frequency 1 - 2Bh          | 35        |
| 5.6.2            | PWM Base Frequency 2 - 2Ch          | 35        |
| 5.7              | Fan Setting Registers               | 36        |
| 5.8              | PWM Divide Registers                | 36        |
| 5.9              | Fan Configuration 1 Registers       | 37        |
| 5.10             | Fan Configuration 2 Registers       | 38        |
| 5.11             | Gain Registers                      | 40        |
| 5.12             | Fan Spin Up Configuration Registers | 41        |
| 5.13             | Fan Max Step Registers              | 43        |
| 5.14             | Fan Minimum Drive Registers         | 44        |
| 5.15             | Valid TACH Count Registers          | 44        |
| 5.16             | Fan Drive Fail Band Registers       | 45        |
| 5.17             | TACH Target Registers               | 46        |
| 5.18             | TACH Reading Registers              | 47        |
| 5.19             | Software Lock Register              | 48        |
| 5.20             | Product Features Register           | 48        |
| 5.21             | Product ID Register                 | 49        |
| 5.22             | Manufacturer ID Register            | 50        |
| 5.23             | Revision Register                   | 50        |
| <hr/>            |                                     |           |
| <b>Chapter 6</b> | <b>Typical Operating Curves</b>     | <b>51</b> |
| <hr/>            |                                     |           |
| <b>Chapter 7</b> | <b>Package Drawing</b>              | <b>53</b> |
| 7.1              | EMC2305 Package Information         | 53        |
| 7.2              | Package Markings                    | 55        |
| <hr/>            |                                     |           |
| <b>Chapter 8</b> | <b>Datasheet Revision History</b>   | <b>56</b> |

## List of Figures

|            |   |    |
|------------|---|----|
| Figure 1.1 | EMC2305 Pin Diagram (16-Pin QFN) . . . . .          | 7  |
| Figure 3.1 | SMBus Timing Diagram . . . . .                      | 13 |
| Figure 4.1 | System Diagram of EMC2305 . . . . .                 | 18 |
| Figure 4.2 | Spin Up Routine . . . . .                           | 23 |
| Figure 4.3 | Ramp Rate Control . . . . .                         | 24 |
| Figure 7.1 | Package Drawing - 16-Pin QFN 4mm x 4mm . . . . .    | 53 |
| Figure 7.2 | Package Dimensions - 16-Pin QFN 4mm x 4mm . . . . . | 54 |
| Figure 7.3 | PCB Footprint - 16-Pin QFN 4mm x 4mm . . . . .      | 54 |
| Figure 7.4 | EMC2305 Package Markings . . . . .                  | 55 |

## List of Tables

|            |  |    |
|------------|--|----|
| Table 1.1  | Pin Description for EMC2305            | 7  |
| Table 1.2  | Pin Types                              | 9  |
| Table 2.1  | Absolute Maximum Ratings               | 10 |
| Table 2.2  | Electrical Specifications              | 10 |
| Table 2.3  | SMBus Electrical Specifications        | 11 |
| Table 3.1  | ADDR_SEL Pin Decode                    | 14 |
| Table 3.2  | Protocol Format                        | 15 |
| Table 3.3  | Write Byte Protocol                    | 15 |
| Table 3.4  | Read Byte Protocol                     | 15 |
| Table 3.5  | Send Byte Protocol                     | 15 |
| Table 3.6  | Receive Byte Protocol                  | 16 |
| Table 3.7  | Block Write Protocol                   | 16 |
| Table 3.8  | Block Read Protocol                    | 16 |
| Table 3.9  | Alert Response Address Protocol        | 17 |
| Table 4.1  | Fan Controls Active for Operating Mode | 19 |
| Table 4.2  | CLK Pin Pull-Up Decode                 | 21 |
| Table 5.1  | EMC2305 Register Set                   | 26 |
| Table 5.2  | Configuration Register                 | 31 |
| Table 5.3  | Fan Status Registers                   | 32 |
| Table 5.4  | Fan Interrupt Enable Register          | 33 |
| Table 5.5  | PWM Configuration Registers            | 34 |
| Table 5.6  | PWM Base Frequency Registers           | 35 |
| Table 5.7  | PWM_BASEx[1:0] Bit Decode              | 35 |
| Table 5.8  | Fan Driver Setting Registers           | 36 |
| Table 5.9  | PWM Divide Registers                   | 36 |
| Table 5.10 | Fan Configuration 1 Registers          | 37 |
| Table 5.11 | Range Decode                           | 37 |
| Table 5.12 | Minimum Edges for Fan Rotation         | 38 |
| Table 5.13 | Update Time                            | 38 |
| Table 5.14 | Fan Configuration 2 Registers          | 38 |
| Table 5.15 | Derivative Options                     | 39 |
| Table 5.16 | Error Range Options                    | 40 |
| Table 5.17 | Gain Registers                         | 40 |
| Table 5.18 | Gain Decode                            | 41 |
| Table 5.19 | Fan Spin Up Configuration Registers    | 41 |
| Table 5.20 | DRIVE_FAIL_CNT[1:0] Bit Decode         | 41 |
| Table 5.21 | Spin Level                             | 42 |
| Table 5.22 | Spin Time                              | 43 |
| Table 5.23 | Fan Max Step Registers                 | 43 |
| Table 5.24 | Minimum Fan Drive Registers            | 44 |
| Table 5.25 | Valid TACH Count Registers             | 44 |
| Table 5.26 | Fan Drive Fail Band Registers          | 45 |
| Table 5.27 | TACH Target Registers                  | 46 |
| Table 5.28 | TACH Reading Registers                 | 47 |
| Table 5.29 | Software Lock Register                 | 48 |
| Table 5.30 | Product Features Register              | 48 |
| Table 5.31 | ADDR_SEL Pin Configuration             | 49 |
| Table 5.32 | FAN_SPD Pin Configuration              | 49 |
| Table 5.33 | Product ID Register                    | 49 |
| Table 5.34 | Manufacturer ID Register               | 50 |
| Table 5.35 | Revision Register                      | 50 |
| Table 8.1  | Customer Revision History              | 56 |

## Chapter 1 Pin Description

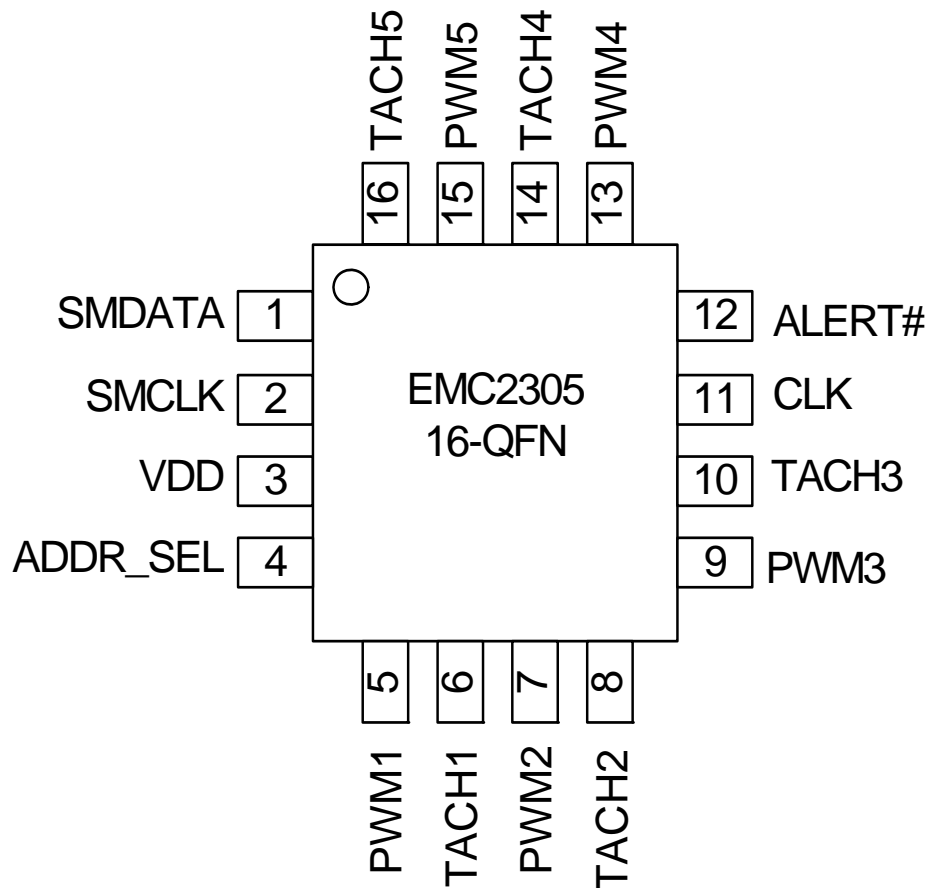


Figure 1.1 EMC2305 Pin Diagram (16-Pin QFN)

Table 1.1 Pin Description for EMC2305

| PIN NUMBER | PIN NAME | PIN FUNCTION   | PIN TYPE  |
|------------|----------|--|-----------|
| 1          | SMDATA   | SMBus data input/output - requires external pull-up resistor | DIOD (5V) |
| 2          | SMCLK    | SMBus clock input - requires external pull-up resistor       | DI (5V)   |
| 3          | VDD      | Power Supply   | Power     |
| 4          | ADDR_SEL | Address selection input - requires pull-up resistor          | AIO       |

**Table 1.1 Pin Description for EMC2305 (continued)**

| PIN NUMBER | PIN NAME | PIN FUNCTION   | PIN TYPE |
|------------|----------|--|----------|
| 5          | PWM1     | Push-Pull PWM output driver for Fan 1  | DO       |
|            |          | Open Drain PWM output driver for Fan 1   | OD (5V)  |
| 6          | TACH1    | Open drain tachometer input for Fan 1 - requires pull-up resistor                | DI (5V)  |
| 7          | PWM2     | Push-Pull PWM output driver for Fan 2  | DO       |
|            |          | Open Drain PWM output driver for Fan 2   | OD (5V)  |
| 8          | TACH2    | Open drain tachometer input for Fan 2 - requires pull-up resistor                | DI (5V)  |
| 9          | PWM3     | Push-Pull PWM output driver for Fan 3  | DO       |
|            |          | Open Drain PWM output driver for Fan 3   | OD (5V)  |
| 10         | TACH3    | Open drain tachometer input for Fan 3 - requires pull-up resistor                | DI (5V)  |
| 11         | CLK      | Clock input for tachometer measurement   | DI (5V)  |
|            |          | Push Pull Clock output to other fan controllers to synchronize Fan Speed Control | DO       |
| 12         | ALERT#   | Active low interrupt - requires external pull-up resistor.                       | OD (5V)  |
| 13         | PWM4     | Push-Pull PWM output driver for Fan 4  | DO       |
|            |          | Open Drain PWM output driver for Fan 4   | OD (5V)  |
| 14         | TACH4    | Open drain tachometer input for Fan 4 - requires pull-up resistor                | DI (5V)  |
| 15         | PWM5     | Push-Pull PWM output driver for Fan 5  | DO       |
|            |          | Open Drain PWM output driver for Fan 5   | OD (5V)  |
| 16         | TACH5    | Open drain tachometer input for Fan 5 - requires pull-up resistor                | DI (5V)  |
| Bottom Pad | GND      | Ground   | Power    |

The pin types are described in detail below. All pins labeled with (5V) are 5V tolerant.

**APPLICATION NOTE:** For the 5V tolerant pins that have a pull-up resistor, the voltage difference between VDD and the 5V tolerant pad must never be more than 3.6V.



Table 1.2 Pin Types

| PIN TYPE | DESCRIPTION   |
|----------|---|
| Power    | This pin is used to supply power or ground to the device.   |
| AIO      | Analog input / output - this pin is used for analog signals   |
| DI       | Digital Input - this pin is used as a digital input. This pin is 5V tolerant.   |
| DO       | Push / Pull Digital Output - this pin is used as a digital output. It can both source and sink current.   |
| DIOD     | Digital Input / Open Drain Output this pin is used as a digital I/O. When it is used as an output, it is open drain and requires a pull-up resistor. This pin is 5V tolerant. |
| OD       | Open Drain Digital Output - this pin is used as a digital output. It is open drain and requires a pull-up resistor. This pin is 5V tolerant.                                  |

## Chapter 2 Electrical Specifications

**Table 2.1 Absolute Maximum Ratings**

|   |                   |      |
|---|-------------------|------|
| Voltage on 5V tolerant pins ( $V_{5VT\_pin}$ )  | -0.3 to 5.5       | V    |
| Voltage on 5V tolerant pins ( $ V_{5VT\_pin} - V_{DD} $ ) (see <a href="#">Note 2.1</a> ) | 0 to 3.6          | V    |
| Voltage on VDD pin  | -0.3 to 4         | V    |
| Voltage on any other pin to GND   | -0.3 to VDD + 0.3 | V    |
| Package Thermal Resistance - Junction to Ambient ( $\theta_{JA}$ )                        | 40                | °C/W |
| Operating Ambient Temperature Range   | -40 to 125        | °C   |
| Storage Temperature Range   | -55 to 150        | °C   |
| ESD Rating, All Pins, HBM   | 2000              | V    |

**Note:** Stresses above those listed could cause permanent damage to the device. This is a stress rating only and functional operation of the device at any other condition above those indicated in the operation sections of this specification is not implied.

**Note 2.1** For the 5V tolerant pins that have a pull-up resistor, the pull-up voltage must not exceed 3.6V when the EMC2305 is unpowered.

### 2.1 Electrical Specifications

**Table 2.2 Electrical Specifications**

| $V_{DD} = 3V$ to $3.6V$ , $T_A = -40^{\circ}C$ to $125^{\circ}C$ , all Typical values at $T_A = 27^{\circ}C$ unless otherwise noted. |                 |     |           |         |       |                               |
|--|-----------------|-----|-----------|---------|-------|-------------------------------|
| CHARACTERISTIC   | SYMBOL          | MIN | TYP       | MAX     | UNIT  | CONDITIONS                    |
| DC Power   |                 |     |           |         |       |                               |
| Supply Voltage   | $V_{DD}$        | 3   | 3.3       | 3.6     | V     |                               |
| Supply Current   | $I_{DD}$        |     | 625       | 800     | uA    |                               |
| PWM Fan Driver   |                 |     |           |         |       |                               |
| PWM Resolution   | PWM             |     | 256       |         | Steps |                               |
| PWM Duty Cycle   | DUTY            | 0   |           | 100     | %     |                               |
| RPM-based Fan Controller   |                 |     |           |         |       |                               |
| Tachometer Range   | TACH            | 480 |           | 16000   | RPM   |                               |
| Tachometer Setting Accuracy  | $\Delta_{TACH}$ |     | $\pm 0.5$ | $\pm 1$ | %     | External oscillator 32.768kHz |
|  | $\Delta_{TACH}$ |     | $\pm 1$   | $\pm 2$ | %     | Internal Oscillator           |
| Input High Voltage   | $V_{IH}$        | 2.0 |           |         | V     |                               |

Table 2.2 Electrical Specifications (continued)

| V <sub>DD</sub> = 3V to 3.6V, T <sub>A</sub> = -40°C to 125°C, all Typical values at T <sub>A</sub> = 27°C unless otherwise noted. |                   |                       |     |     |      |  |
|--|-------------------|-----------------------|-----|-----|------|--|
| CHARACTERISTIC   | SYMBOL            | MIN                   | TYP | MAX | UNIT | CONDITIONS   |
| Input Low Voltage  | V <sub>IL</sub>   |                       |     | 0.8 | V    |  |
| Output High Voltage  | V <sub>OH</sub>   | V <sub>DD</sub> - 0.4 |     |     | V    | 8 mA current drive   |
| Output Low Voltage   | V <sub>OL</sub>   |                       |     | 0.4 | V    | 8 mA current sink  |
| Leakage current  | I <sub>LEAK</sub> |                       |     | ±5  | uA   | ALERT# pin<br>Powered and unpowered<br>0°C < T <sub>A</sub> < 85°C<br>pull-up voltage ≤ 3.6V |

**Note 2.2** All voltages are relative to ground.

## 2.2 SMBus Electrical Specifications

Table 2.3 SMBus Electrical Specifications

| V <sub>DD</sub> = 3V to 3.6V, T <sub>A</sub> = -40°C to 125°C Typical values are at T <sub>A</sub> = 27°C unless otherwise noted. |                                   |                       |     |     |       |  |
|---|-----------------------------------|-----------------------|-----|-----|-------|--|
| CHARACTERISTIC  | SYMBOL                            | MIN                   | TYP | MAX | UNITS | CONDITIONS   |
| SMBus Interface   |                                   |                       |     |     |       |  |
| Input High Voltage  | V <sub>IH</sub>                   | 2.0                   |     |     | V     |  |
| Input Low Voltage   | V <sub>IL</sub>                   |                       |     | 0.8 | V     |  |
| Output High Voltage   | V <sub>OH</sub>                   | V <sub>DD</sub> - 0.4 |     |     | V     |  |
| Output Low Voltage  | V <sub>OL</sub>                   |                       |     | 0.4 | V     | 4 mA current sink                                    |
| Input High/Low Current  | I <sub>IH</sub> / I <sub>IL</sub> |                       |     | ±5  | uA    | Powered and unpowered<br>0°C < T <sub>A</sub> < 85°C |
| Input Capacitance   | C <sub>IN</sub>                   |                       | 5   |     | pF    |  |
| SMBus Timing  |                                   |                       |     |     |       |  |
| Clock Frequency   | f <sub>SMB</sub>                  | 10                    |     | 400 | kHz   |  |
| Spike Suppression   | t <sub>SP</sub>                   |                       |     | 50  | ns    |  |
| Bus free time Start to Stop   | t <sub>BUF</sub>                  | 1.3                   |     |     | us    |  |
| Setup Time: Start   | t <sub>SU:STA</sub>               | 0.6                   |     |     | us    |  |
| Setup Time: Stop  | t <sub>SU:STP</sub>               | 0.6                   |     |     | us    |  |
| Data Hold Time  | t <sub>HD:DAT</sub>               | 0                     |     |     | us    |  |
| Data Setup Time   | t <sub>SU:DAT</sub>               | 0.6                   |     |     | us    |  |

**Table 2.3 SMBus Electrical Specifications (continued)**

| VDD= 3V to 3.6V, T <sub>A</sub> = -40°C to 125°C Typical values are at T <sub>A</sub> = 27°C unless otherwise noted. |                   |     |     |     |       |                                  |
|--|-------------------|-----|-----|-----|-------|----------------------------------|
| CHARACTERISTIC   | SYMBOL            | MIN | TYP | MAX | UNITS | CONDITIONS                       |
| Clock Low Period   | t <sub>LOW</sub>  | 1.3 |     |     | us    |                                  |
| Clock High Period  | t <sub>HIGH</sub> | 0.6 |     |     | us    |                                  |
| Clock/Data Fall time   | t <sub>FALL</sub> |     |     | 300 | ns    | Min = 20+0.1C <sub>LOAD</sub> ns |
| Clock/Data Rise time   | t <sub>RISE</sub> |     |     | 300 | ns    | Min = 20+0.1C <sub>LOAD</sub> ns |
| Capacitive Load  | C <sub>LOAD</sub> |     |     | 400 | pF    | per bus line                     |

## Chapter 3 Communications

### 3.1 System Management Bus Interface Protocol

The EMC2305 communicates with a host controller, such as an SMSC SIO, through the SMBus. The SMBus is a two-wire serial communication protocol between a computer host and its peripheral devices. A detailed timing diagram is shown in Figure 3.1. Stretching of the SMCLK signal is supported; however, the EMC2305 will not stretch the clock signal.

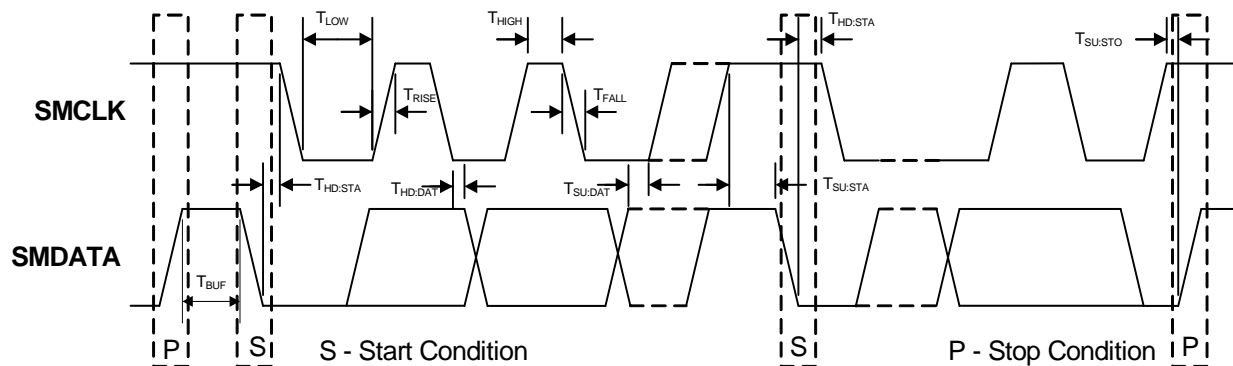


Figure 3.1 SMBus Timing Diagram

#### 3.1.1 SMBus Start Bit

The SMBus Start bit is defined as a transition of the SMBus Data line from a logic '1' state to a logic '0' state while the SMBus Clock line is in a logic '1' state.

#### 3.1.2 SMBus Address and RD / $\overline{\text{WR}}$ Bit

The SMBus Address Byte consists of the 7-bit client address followed by a RD /  $\overline{\text{WR}}$  indicator bit. If this RD /  $\overline{\text{WR}}$  bit is a logic '0', then the SMBus Host is writing data to the client device. If this RD /  $\overline{\text{WR}}$  bit is a logic '1', then the SMBus Host is reading data from the client device.

The SMBus client will respond to one of multiple SMBus addresses determined by the pull-up resistor on the ADDR\_SEL pin. The ADDR\_SEL pin decodes one of six pull-up resistors upon device power up. Depending on the resistor used, the CLK pin may also be used to select additional functionality.

**Table 3.1 ADDR\_SEL Pin Decode**

| PULL-UP RESISTOR   | SMBUS ADDRESS | ADDITIONAL FUNCTIONS  |
|--------------------|---------------|---|
| 4.7k Ohm $\pm 5\%$ | 0101_110(r/w) | None - CLK pin used as clock input or output  |
| 6.8k Ohm $\pm 5\%$ | 0101_111(r/w) |   |
| 10k Ohm $\pm 5\%$  | 0101_100(r/w) |   |
| 15k Ohm $\pm 5\%$  | 0101_101(r/w) |   |
| 22k Ohm $\pm 5\%$  | 1001_100(r/w) |   |
| 33k Ohm $\pm 5\%$  | 1001_101(r/w) | CLK pin used to determine default fan drive - see <a href="#">Section 4.5.1</a> . The CLK pin cannot be used as a clock input or output |

### 3.1.3 SMBus Data Bytes

All SMBus Data bytes are sent most significant bit first and composed of 8-bits of information.

### 3.1.4 SMBus ACK and NACK Bits

The SMBus client will acknowledge all data bytes that it receives (as well as the client address if it matches and the ARA address if the ALERT# pin is asserted). This is done by the client device pulling the SMBus Data line low after the 8th bit of each byte that is transmitted.

The Host will NACK (not acknowledge) the data received from the client by holding the SMBus data line high after the 8th data bit has been sent.

### 3.1.5 SMBus Stop Bit

The SMBus Stop bit is defined as a transition of the SMBus Data line from a logic '0' state to a logic '1' state while the SMBus clock line is in a logic '1' state. When the EMC2305 detects an SMBus Stop bit has been communicating with the SMBus protocol, it will reset its client interface and prepare to receive further communications.

### 3.1.6 SMBus Time-out

The EMC2305 includes an SMBus timeout feature. Following a 30ms period of inactivity on the SMBus, the device will time-out and reset the SMBus interface.

The SMBus timeout feature is disabled by default and can be enabled via clearing the DIS\_TO bit in the Configuration register (20h).

### 3.1.7 SMBus and I<sup>2</sup>C Compliance

The major difference between SMBus and I<sup>2</sup>C devices is highlighted here. For complete compliance information refer to the SMBus 2.0 specification.

1. Minimum frequency for SMBus communications is 10kHz (I<sup>2</sup>C has no minimum frequency).
2. The slave protocol will reset if the clock is held low for longer than 30ms (I<sup>2</sup>C has no timeout).
3. The slave protocol will reset if both the clock and data lines are held high for longer than 150us.
4. I<sup>2</sup>C devices do not support the Alert Response Address functionality (which is optional for SMBus).

5. The Block Read and Block Write protocols are only compliant with I<sup>2</sup>C data formatting. They do not support SMBus formatting for Block Read and Block Write protocols.

## 3.2 SMBus Protocols

The EMC2305 is SMBus 2.0 compatible and supports Send Byte, Read Byte, Receive Byte and Write Byte as valid protocols as shown below. It will respond to the Alert Response Address protocol but is not in full compliance.

All of the below protocols use the convention in [Table 3.2](#). When reading the protocol blocks, the value of YYYY\_YYYb should be replaced with the respective SMBus addresses.

**Table 3.2 Protocol Format**

| DATA SENT TO DEVICE | DATA SENT TO THE HOST |
|---------------------|-----------------------|
| # of bits sent      | # of bits sent        |

### 3.2.1 Write Byte

The Write Byte is used to write one byte of data to the registers as shown below [Table 3.3](#).

**Table 3.3 Write Byte Protocol**

| START  | SLAVE ADDRESS | WR | ACK | REGISTER ADDRESS | ACK | REGISTER DATA | ACK | STOP   |
|--------|---------------|----|-----|------------------|-----|---------------|-----|--------|
| 1 -> 0 | YYYY_YYYb     | 0  | 0   | XXh              | 0   | XXh           | 0   | 0 -> 1 |

### 3.2.2 Read Byte

The Read Byte protocol is used to read one byte of data from the registers as shown in [Table 3.4](#).

**Table 3.4 Read Byte Protocol**

| START  | SLAVE ADDRESS | WR | ACK | Register Address | ACK | START  | Slave Address | RD | ACK | Register Data | NACK | STOP   |
|--------|---------------|----|-----|------------------|-----|--------|---------------|----|-----|---------------|------|--------|
| 1 -> 0 | YYYY_YYYb     | 0  | 0   | XXh              | 0   | 0 -> 1 | YYYY_YYYb     | 1  | 0   | XXh           | 1    | 0 -> 1 |

### 3.2.3 Send Byte

The Send Byte protocol is used to set the internal address register pointer to the correct address location. No data is transferred during the Send Byte protocol as shown in [Table 3.5](#).

**Table 3.5 Send Byte Protocol**

| START  | SLAVE ADDRESS | WR | ACK | REGISTER ADDRESS | ACK | STOP   |
|--------|---------------|----|-----|------------------|-----|--------|
| 1 -> 0 | YYYY_YYYb     | 0  | 0   | XXh              | 0   | 0 -> 1 |

### 3.2.4 Receive Byte

The Receive Byte protocol is used to read data from a register when the internal register address pointer is known to be at the right location (e.g. set via Send Byte). This is used for consecutive reads of the same register as shown in [Table 3.6](#).

**Table 3.6 Receive Byte Protocol**

| START  | SLAVE ADDRESS | RD | ACK | REGISTER DATA | NACK | STOP   |
|--------|---------------|----|-----|---------------|------|--------|
| 1 -> 0 | YYYY_YYYb     | 1  | 0   | XXh           | 1    | 0 -> 1 |

### 3.2.5 Block Write Protocol

The Block Write is used to write multiple data bytes to a group of contiguous registers as shown in [Table 3.7](#). It is an extension of the Write Byte Protocol.

**Table 3.7 Block Write Protocol**

| START         | SLAVE ADDRESS | WR            | ACK | REGISTER ADDRESS | ACK           | REGISTER DATA | ACK    |
|---------------|---------------|---------------|-----|------------------|---------------|---------------|--------|
| 1 ->0         | YYYY_YYYb     | 0             | 0   | XXh              | 0             | XXh           | 0      |
| REGISTER DATA | ACK           | REGISTER DATA | ACK | ...              | REGISTER DATA | ACK           | STOP   |
| XXh           | 0             | XXh           | 0   | ...              | XXh           | 0             | 0 -> 1 |

### 3.2.6 Block Read Protocol

The Block Read is used to read multiple data bytes from a group of contiguous registers as shown in [Table 3.8](#). It is an extension of the Read Byte Protocol.

**Table 3.8 Block Read Protocol**

| START | SLAVE ADDRESS | WR  | ACK           | REGISTER ADDRESS | ACK           | START | SLAVE ADDRESS | RD            | ACK  | REGISTER DATA |
|-------|---------------|-----|---------------|------------------|---------------|-------|---------------|---------------|------|---------------|
| 1->0  | YYYY_YYYb     | 0   | 0             | XXh              | 0             | 1->0  | YYYY_YYYb     | 1             | 0    | XXh           |
| ACK   | REGISTER DATA | ACK | REGISTER DATA | ACK              | REGISTER DATA | ACK   | ...           | REGISTER DATA | NACK | STOP          |
| 0     | XXh           | 0   | XXh           | 0                | XXh           | 0     | ...           | XXh           | 1    | 0 -> 1        |

### 3.2.7 Alert Response Address

The ALERT# output can be used as a processor interrupt or as an SMBus Alert when configured to operate as an interrupt.

When it detects that the ALERT# pin is asserted, the host will send the Alert Response Address (ARA) to the general address of 0001\_100xb. All devices with active interrupts will respond with their client address as shown in [Table 3.9](#).



**Table 3.9 Alert Response Address Protocol**

| START  | ALERT<br>RESPONSE<br>ADDRESS | RD | ACK | DEVICE<br>ADDRESS | NACK | STOP   |
|--------|------------------------------|----|-----|-------------------|------|--------|
| 1 -> 0 | 0001_100b                    | 1  | 0   | YYYY_YYYb         | 1    | 0 -> 1 |

The EMC2305 will respond to the ARA in the following way if the ALERT# pin is asserted.

1. Send Slave Address and verify that full slave address was sent (i.e. the SMBus communication from the device was not prematurely stopped due to a bus contention event).
2. Set the MASK bit to clear the ALERT# pin.

## Chapter 4 Product Description

The EMC2305 is an SMBus compliant fan controller with five programmable frequency PWM fan drivers. The fan drivers can be operated using two modes: the RPM-based Fan Speed Control Algorithm or the direct fan drive setting.

Figure 4.1 shows a system diagram of the EMC2305.

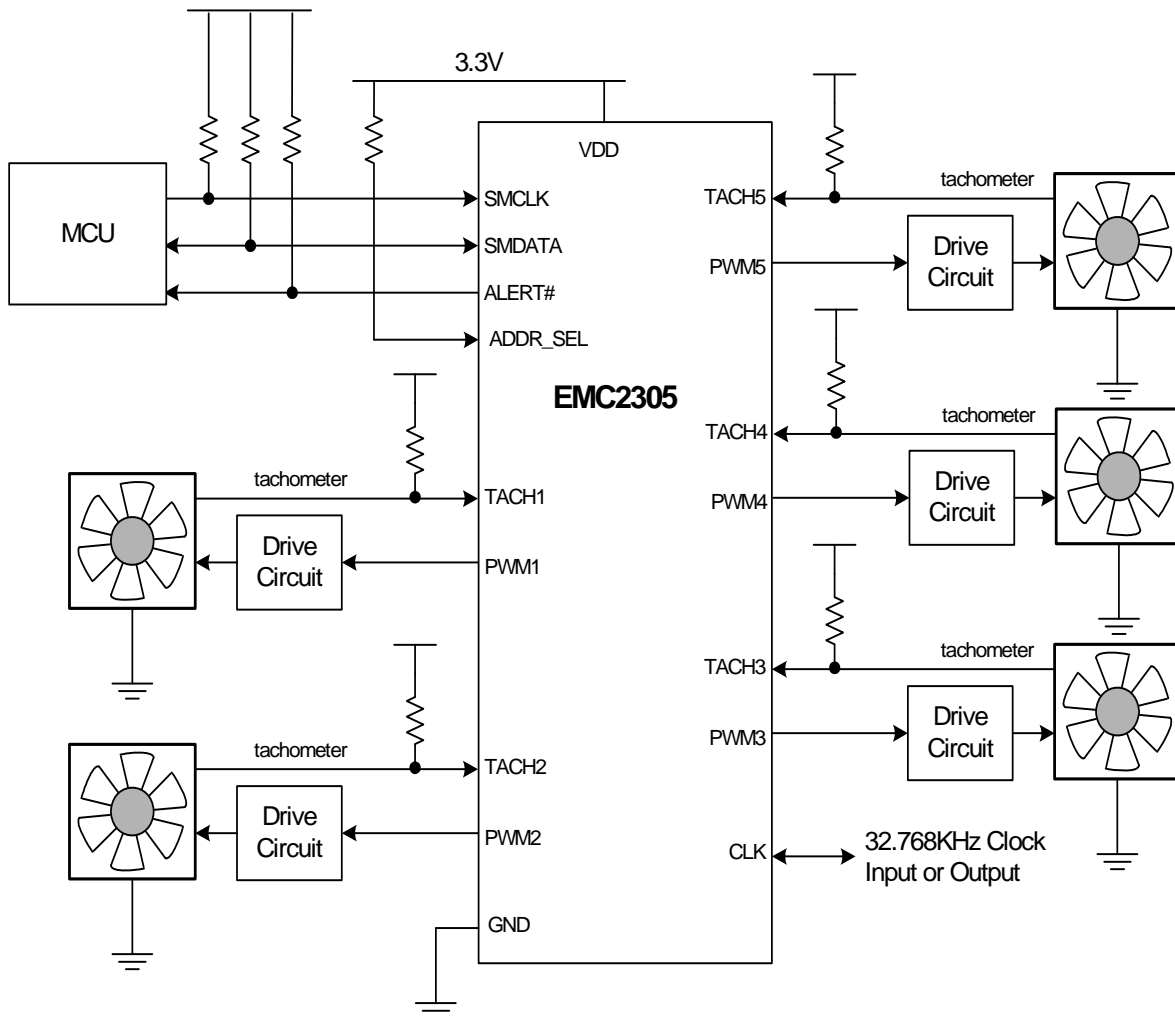


Figure 4.1 System Diagram of EMC2305

### 4.1 Fan Control Modes of Operation

The EMC2305 has two modes of operation for each fan driver. Each mode of operation uses the Ramp Rate control and Spin Up Routine.

1. Direct Setting Mode - in this mode of operation, the user directly controls the fan drive setting. Updating the Fan Driver Setting Register (see Section 5.7) will instantly update the PWM fan drive. Ramp Rate control is optional and enabled via the EN\_RRC bits.

- Whenever the Direct Setting Mode is enabled, the current drive will be changed to what was last written into the Fan Driver Setting Register.
- 2. Fan Speed Control Mode (FSC) - in this mode of operation, the user determines a target tachometer count and the PWM drive setting is automatically updated to achieve this target speed. The algorithm uses the Spin Up Routine and has user definable ramp rate controls.
  - This mode is enabled setting the EN\_ALGO bit in the Fan Configuration Register.

**Table 4.1 Fan Controls Active for Operating Mode**

| DIRECT SETTING MODE                         | FSC MODE  |
|---|---|
| Fan Driver Setting (read / write)           | Fan Driver Setting (read only)                    |
| EDGES[1:0]                                  | EDGES[1:0]<br>(Fan Configuration)                 |
| -   | RANGE[1:0]<br>(Fan Configuration)                 |
| UPDATE[2:0]<br>(Fan Configuration)          | UPDATE[2:0]<br>(Fan Configuration)                |
| LEVEL<br>(Spin Up Configuration)            | LEVEL<br>(Spin Up Configuration)                  |
| SPINUP_TIME[1:0]<br>(Spin Up Configuration) | SPINUP_TIME[1:0]<br>(Spin Up Configuration)       |
| Fan Step                                    | Fan Step  |
| -   | Fan Minimum Drive                                 |
| Valid TACH Count                            | Valid TACH Count                                  |
| -   | TACH Target (read / write)                        |
| TACH Reading                                | TACH Reading                                      |
| -   | DRIVE_FAIL_CNT[1:0] and Drive Band Fail Registers |

## 4.2 PWM Fan Driver

The EMC2305 supports 5 PWM output drivers. Each output driver can be configured to operate as an open-drain (default) or push-pull driver and each driver can be configured with normal or inverse polarity. Additionally, the PWM frequencies are independently programmable with ranges from 9.5Hz to 26kHz in four programmable frequency bands.

## 4.3 RPM-based Fan Speed Control Algorithm (FSC)

The EMC2305 includes 5 RPM-based Fan Speed Control Algorithms. Each algorithm operates independently and controls a separate fan driver. Each algorithm is controlled manually (by setting the target fan speed).

This fan control algorithm uses Proportional, Integral, and Derivative terms to automatically approach and maintain the system's desired fan speed to an accuracy directly proportional to the accuracy of the clock source.

The desired tachometer count is set by the user inputting the desired number of 32.768kHz cycles that occur per fan revolution. This is done by manually setting the TACH Target Register. The user may

change the target count at any time. The user may also set the target count to FFh in order to disable the fan driver for lower current operation.

For example, if a desired RPM rate for a 2-pole fan is 3000 RPMs, then the user would input the hexadecimal equivalent of 1296 (51h in the TACH Target Register). This number represents the number of 32.768KHz cycles that would occur during the time it takes the fan to complete a single revolution when it is spinning at 3000RPMs.

The EMC2305's RPM-based Fan Speed Control Algorithm has programmable configuration settings for parameters such as ramp-rate control and spin up conditions. The fan driver automatically detects and attempts to alleviate a stalled/stuck fan condition while also asserting the ALERT# pin. The EMC2305 works with fans that operate up to 16,000 RPMs and provide a valid tachometer signal.

The fan controller will function either with an externally supplied 32.768kHz clock source or with its own internal 32kHz oscillator depending on the required accuracy. The EMC2305 offers a clock output that enables additional devices to be slaved to the same clock source.

### 4.3.1 Programming the RPM-based Fan Speed Control Algorithm

The RPM-based Fan Speed Control Algorithm is disabled upon device power up. The following registers control the algorithm. The EMC2305 fan control registers are pre-loaded with defaults that will work for a wide variety of fans so only the TACH Target Register is required to set a fan speed. The other fan control registers can be used to fine-tune the algorithm behavior based on application requirements.

Note that steps 1 - 6 are optional and need only be performed if the default settings do not provide the desired fan response.

1. Set the Spin Up Configuration Register to the Spin Up Level and Spin Time desired.
2. Set the Fan Step Register to the desired step size.
3. Set the Fan Minimum Drive Register to the minimum drive value that will maintain fan operation.
4. Set the Update Time and Edges options in the Fan Configuration Register.
5. Set the Valid TACH Count Register to the highest tach count that indicates the fan is spinning. Refer to [AN17.4 RPM to TACH Counts Conversion](#) for examples and tables for supported RPM ranges (500, 1k, 2k, 4k).
6. Set the TACH Target Register to the desired tachometer count.
7. Enable the RPM-based Fan Speed Control Algorithm by setting the EN\_ALGO bit.

## 4.4 Tachometer Measurement

The tachometer measurement circuitry is used in conjunction with the RPM-based Fan Speed Control Algorithm to update the fan driver output. Additionally, it can be used in Direct Setting mode as a diagnostic for host based fan control.

This method monitors the TACHx signal in real time. It constantly updates the tachometer measurement by reporting the number of clocks between a user programmed number of edges on the TACHx signal (see [Table 5.12](#)).

The tachometer measurement provides fast response times for the RPM-based Fan Speed Control Algorithm and the data is presented as a count value that represents the fan RPM period.

**APPLICATION NOTE:** The tachometer measurement method works independently of the drive settings. If the device is put into Direct Setting and the fan drive is set at a level that is lower than the fan can operate (including zero drive), then the tachometer measurement may signal a Stalled Fan condition and assert an interrupt.

#### 4.4.1 Stalled Fan

A Stalled fan is detected if the tach counter exceeds the user-programmable Valid TACH Count setting. If a stall is detected, the device will flag the fan as stalled and trigger an interrupt.

If the RPM-based Fan Speed Control Algorithm is enabled, the algorithm will automatically attempt to restart the fan until it detects a valid tachometer level or is disabled.

The FAN\_STALL Status bit indicates that a stalled fan was detected. This bit is checked conditionally depending on the mode of operation.

- Whenever the Direct Setting Mode or the Spin Up Routine is enabled, the FAN\_STALL interrupt will be masked for the duration of the programmed Spin Up Time (see [Table 5.22](#)) to allow the fan to reach a valid speed without generating unnecessary interrupts.
- In Direct Setting Mode, whenever the TACH Reading Register value exceeds the Valid TACH Count Register setting, the FAN\_STALL status bit will be set.
- When using the RPM-based Fan Speed Control Algorithm, the stalled fan condition is checked whenever the Update Time is met and the fan drive setting is updated. It is not a continuous check.

#### 4.4.2 Aging Fan or Invalid Drive Detection

This is useful to detect aging fan conditions (where the fan's natural maximum speed degrades over time) or a speed setting that is faster than the fan is capable of. The EMC2305 contains circuitry that detects that the programmed fan speed can be reached by the fan. If the target fan speed cannot be reached within a user defined band of tach counts at maximum drive, the DRIVE\_FAIL status bits are set and the ALERT# pin is asserted.

### 4.5 CLK Pin

The CLK pin has multiple functionality as determined by the pull-up decode of the ADDR\_SEL pin and the settings of the Configuration register. The functionality associated with the CLK pin upon device power up is independent of the CLK pin functionality after the device has been configured.

#### 4.5.1 Pull Up Decode

If additional functionality is enabled via the ADDR\_SEL pin (see [Section 3.1.2](#)), then the CLK pin should be configured with a pull-up resistor to VDD and should not be used. The value of the pull-up resistor on the CLK pin is used to determine the default drive state of all fan drivers as shown in [Table 4.2](#).

**Table 4.2 CLK Pin Pull-Up Decode**

| PULL-UP RESISTOR   | FAN DEFAULT DRIVE SETTING |
|--------------------|---------------------------|
| 4.7k Ohm $\pm 5\%$ | 0% - OFF                  |
| 6.8k Ohm $\pm 5\%$ | 30%                       |
| 10k Ohm $\pm 5\%$  | 50%                       |
| 15k Ohm $\pm 5\%$  | 75%                       |
| 22k Ohm $\pm 5\%$  | 100%                      |
| 33k Ohm $\pm 5\%$  | 0% - OFF                  |

### 4.5.2 External Clock

The EMC2305 allows the user to choose between supplying an external 32.768kHz clock or use of the internal 32kHz oscillator to measure the tachometer signal. This clock source is used by the RPM-based Fan Speed Control Algorithm to calculate the current fan speed. This fan controller accuracy is directly proportional to the accuracy of the clock source.

When this function is used, the external clock is driven into the device via the CLK pin.

### 4.5.3 Internal Clock

Alternately, the EMC2305 may be configured to use its internal clock as a clock output to drive other fan driver devices. When configured to operate in this mode, the device uses its internal clock for tachometer reading and drives the CLK pin using a push-pull driver.

## 4.6 Spin Up Routine

The EMC2305 also contains programmable circuitry to control the spin up behavior of the fan driver to ensure proper fan operation.

The Spin Up Routine is initiated in Direct Setting mode when the setting value changes from 00h to anything else.

When the Fan Speed Control Algorithm is enabled, the Spin Up Routine is initiated under the following conditions:

1. The TACH Target Register value changes from a value of FFh to a value that is less than the Valid TACH Count (see [Section 5.15](#)).
2. The RPM-based Fan Speed Control Algorithm's measured TACH Reading Register value is greater than the Valid TACH Count setting.

When the Spin Up Routine is operating, the fan driver is set to full scale (optional) for one quarter of the total user defined spin up time. For the remaining spin up time, the fan driver output is set at a user defined level (30% through 65% drive).

After the Spin Up Routine has finished, the EMC2305 measures the TACHx signal. If the measured TACH Reading Register value is higher than the Valid TACH Count Register setting, the FAN\_SPIN status bit is set and the Spin Up Routine will automatically attempt to restart the fan.

[Figure 4.2](#) shows an example of the Spin Up Routine in response to a programmed fan speed change based on the first condition above.

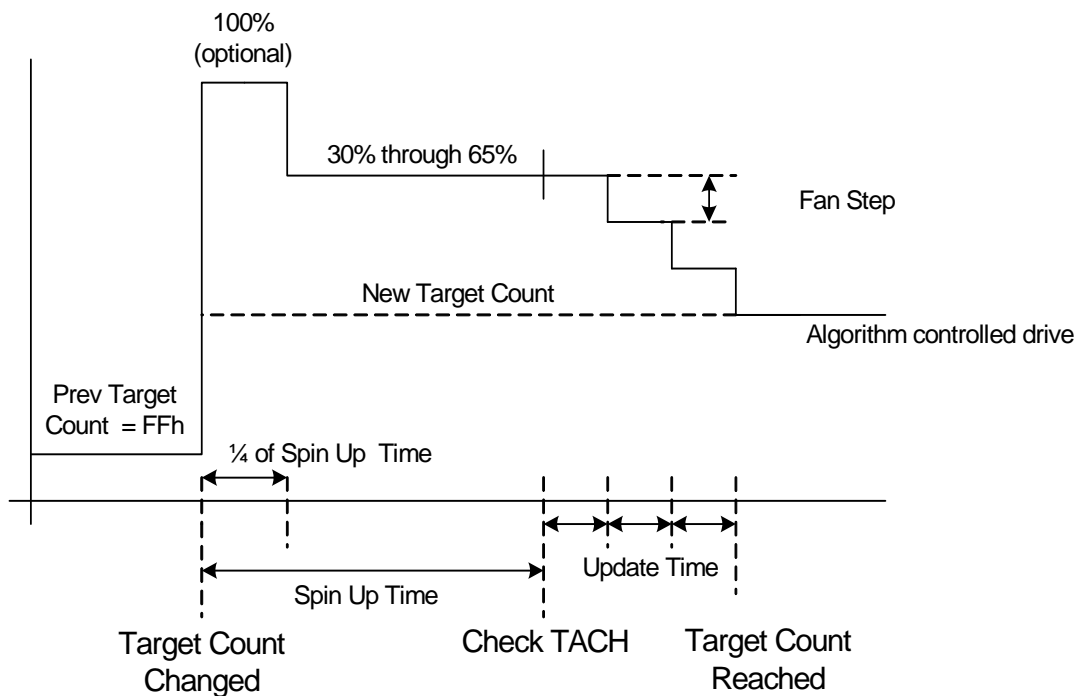


Figure 4.2 Spin Up Routine

#### 4.6.1 Power Up Options

The EMC2305 allows for one of four fan speed options upon device power up depending on the status of the pull-up resistor on the ADDR\_SEL pin and the CLK pin. If the ADDR\_SEL pin decode enables the CLK pin (see [Table 3.1](#)), then the value of the pull-up resistor on the CLK pin is used to determine the default fan drive setting (see [Section 4.5.1](#)).

If the Fan drive setting is set at a non-zero value (as determined by the CLK pin), then the drive setting will be set to the desired setting. The Spin Up Routine will not be activated. This function does not disable the Watchdog timer which will continue to function normally. See [Section 4.8](#).

### 4.7 Ramp Rate Control

The Fan Driver can be configured with automatic ramp rate control. Ramp rate control is accomplished by adjusting the drive output settings based on the Maximum Fan Step Register settings and the Update Time settings.

If the RPM-based Fan Speed Control Algorithm is used, then this ramp rate control is automatically used. The user programs a maximum step size for the fan drive setting and an update time. The update time varies from 100ms to 1.6s while the fan drive maximum step can vary from 1 count to 31 counts.

When a new fan drive setting is entered, the delta from the next fan drive setting and the previous fan drive setting is determined. If this delta is greater than the Max Step settings, then the fan drive setting is incrementally adjusted every 100ms to 1.6s as determined by the Update Time until the target fan drive setting is reached. See [Figure 4.3](#).

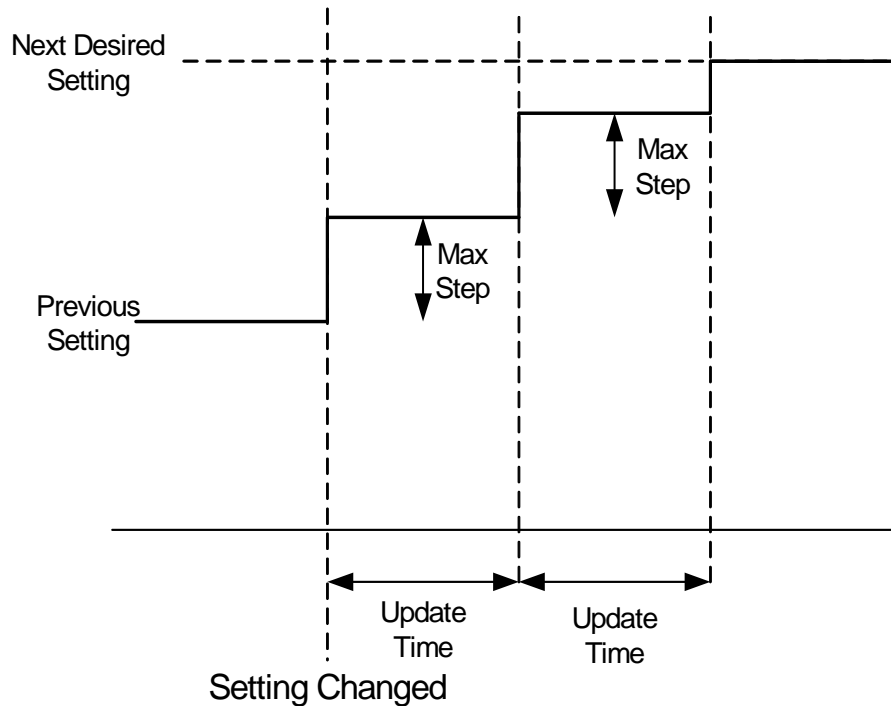


Figure 4.3 Ramp Rate Control

## 4.8 Watchdog Timer

The EMC2305 contains an internal Watchdog Timer for all fan drivers. The Watchdog timer monitors the SMBus traffic for signs of activity and works in two different modes based upon device operation. These modes are Power Up Operation and Continuous Operation as described below.

For either mode of operation, if four (4) seconds elapse without activity detected by the host, then the watchdog will be triggered and the following will occur:

1. The WATCH status bit will be set.
2. The fan driver will be set to full scale drive. It will remain at full scale drive until it is disabled.
3. The ALERT# pin is asserted.

**APPLICATION NOTE:** When the Watchdog timer is activated, the Fan Speed Control Algorithm is automatically disabled. Disabling the Watchdog will not automatically set the fan drive nor re-activate the Fan Speed Control Algorithm. This must be done manually.

### 4.8.1 Power Up Operation

The Watchdog Timer only starts immediately after power-up. Once it has been triggered or deactivated, it will not restart although it can be configured to operate in Continuous operation. While the Watchdog timer is active, the device will not check for a Stalled Fan condition.



In the Power Up Operation, the Watchdog Timer is disabled by any of the following actions:

1. Writing the Fan Setting Register will disable the Watchdog Timer.
2. Enabling the RPM-based Fan Speed Control Algorithm by setting the EN\_ALGO bit will disable the Watchdog Timer. The fan driver will be set based on the RPM-based Fan Speed Control Algorithm.

Writing any other configuration registers will not disable the Watchdog Timer upon power up.

#### **4.8.2 Continuous Operation**

When configured to operate in Continuous Operation, the Watchdog timer will start immediately. The timer will be reset by any access (read or write) to the SMBus register set. The four second Watchdog timer will restart upon completion of SMBus activity.

## Chapter 5 Register Set

### 5.1 Register Map

The following registers are accessible through the SMBus Interface. All register bits marked as '-' will always read '0'. A write to these bits will have no effect.

**Table 5.1 EMC2305 Register Set**

| ADDR                      | R/W | REGISTER NAME                 | FUNCTION  | DEFAULT VALUE | LOCK | PAGE                    |
|---------------------------|-----|-------------------------------|---|---------------|------|-------------------------|
| Configuration and control |     |                               |   |               |      |                         |
| 20h                       | R/W | Configuration                 | Configures the clocking and watchdog functionality  | 40h           | SWL  | <a href="#">Page 31</a> |
| 24h                       | R-C | Fan Status                    | Stores the status bits for the RPM-based Fan Speed Control Algorithm  | 00h           | No   | <a href="#">Page 32</a> |
| 25h                       | R-C | Fan Stall Status              | Stores status bits associated with a stalled fan  | 00h           | No   | <a href="#">Page 32</a> |
| 26h                       | R-C | Fan Spin Status               | Stores status bits associated with a spin-up failure  | 00h           | No   | <a href="#">Page 32</a> |
| 27h                       | R-C | Drive Fail Status             | Stores status bits associated with drive failure  | 00h           | No   | <a href="#">Page 32</a> |
| 29h                       | R/W | Fan Interrupt Enable Register | Controls the masking of interrupts on all fan related channels  | 00h           | No   | <a href="#">Page 33</a> |
| 2Ah                       | R/W | PWM Polarity Config           | Configures Polarity of all PWM drivers  | 00h           | No   | <a href="#">Page 34</a> |
| 2Bh                       | R/W | PWM Output Config             | Configures Output type of PWM drivers   | 00h           | No   | <a href="#">Page 34</a> |
| 2Ch                       | R/W | PWM Base Frequency 1          | Selects the base frequency for PWM outputs 5 - 4  | 00h           | No   | <a href="#">Page 35</a> |
| 2Dh                       | R/W | PWM Base Frequency 2          | Selects the base frequency for PWM outputs 3 - 1  | 00h           | No   | <a href="#">Page 35</a> |
| Fan 1 Control Registers   |     |                               |   |               |      |                         |
| 30h                       | R/W | Fan 1 Setting                 | Always displays the most recent fan driver input setting for Fan 1. If the RPM-based Fan Speed Control Algorithm is disabled, allows direct user control of the fan driver. | 00h           | No   | <a href="#">Page 36</a> |
| 31h                       | R/W | PWM 1 Divide                  | Stores the divide ratio to set the frequency for Fan 1  | 01h           | No   | <a href="#">Page 36</a> |
| 32h                       | R/W | Fan 1 Configuration 1         | Sets configuration values for the RPM-based Fan Speed Control Algorithm for the Fan 1 driver  | 2Bh           | No   | <a href="#">Page 37</a> |
| 33h                       | R/W | Fan 1 Configuration 2         | Sets additional configuration values for the Fan 1 driver   | 28h           | SWL  | <a href="#">Page 38</a> |

Table 5.1 EMC2305 Register Set (continued)

| ADDR                    | R/W | REGISTER NAME                   | FUNCTION  | DEFAULT VALUE | LOCK | PAGE                    |
|-------------------------|-----|---------------------------------|---|---------------|------|-------------------------|
| 35h                     | R/W | Gain 1                          | Holds the gain terms used by the RPM-based Fan Speed Control Algorithm for the Fan 1 driver   | 2Ah           | SWL  | <a href="#">Page 40</a> |
| 36h                     | R/W | Fan 1 Spin Up Configuration     | Sets the configuration values for Spin Up Routine of the Fan 1 driver   | 19h           | SWL  | <a href="#">Page 41</a> |
| 37h                     | R/W | Fan 1 Max Step                  | Sets the maximum change per update for the Fan 1 driver   | 10h           | SWL  | <a href="#">Page 43</a> |
| 38h                     | R/W | Fan 1 Minimum Drive             | Sets the minimum drive value for the Fan 1 driver   | 66h (40%)     | SWL  | <a href="#">Page 44</a> |
| 39h                     | R/W | Fan 1 Valid TACH Count          | Holds the tachometer reading that indicates Fan 1 is spinning properly  | F5h           | SWL  | <a href="#">Page 44</a> |
| 3Ah                     | R/W | Fan 1 Drive Fail Band Low Byte  | Stores the number of Tach counts used to determine how the actual fan speed must match the target fan speed at full scale drive   | 00h           | SWL  | <a href="#">Page 45</a> |
| 3Bh                     | R/W | Fan 1 Drive Fail Band High Byte |   | 00h           | SWL  |                         |
| 3Ch                     | R/W | TACH 1 Target Low Byte          | Holds the target tachometer reading low byte for Fan 1  | F8h           | No   | <a href="#">Page 46</a> |
| 3Dh                     | R/W | TACH 1 Target High Byte         | Holds the target tachometer reading high byte for Fan 1   | FFh           | No   | <a href="#">Page 46</a> |
| 3Eh                     | R   | TACH 1 Reading High Byte        | Holds the tachometer reading high byte for Fan 1  | FFh           | No   | <a href="#">Page 47</a> |
| 3Fh                     | R   | TACH 1 Reading Low Byte         | Holds the tachometer reading low byte for Fan 1   | F8h           | No   | <a href="#">Page 47</a> |
| Fan 2 Control Registers |     |                                 |   |               |      |                         |
| 40h                     | R/W | Fan 2 Setting                   | Always displays the most recent fan driver input setting for Fan 2. If the RPM-based Fan Speed Control Algorithm is disabled, allows direct user control of the fan driver. | 00h           | No   | <a href="#">Page 36</a> |
| 41h                     | R/W | PWM 2 Divide                    | Stores the divide ratio to set the frequency for Fan 2  | 01h           | No   | <a href="#">Page 36</a> |
| 42h                     | R/W | Fan 2 Configuration1            | Sets configuration values for the RPM-based Fan Speed Control Algorithm for Fan 2   | 2Bh           | No   | <a href="#">Page 37</a> |
| 43h                     | R/W | Fan 2 Configuration 2           | Sets additional configuration values for the Fan 2 driver   | 28h           | SWL  | <a href="#">Page 38</a> |
| 45h                     | R/W | Gain 2                          | Holds the gain terms used by the RPM-based Fan Speed Control Algorithm for Fan 2  | 2Ah           | SWL  | <a href="#">Page 40</a> |
| 46h                     | R/W | Fan 2 Spin Up Configuration     | Sets the configuration values for Spin Up Routine of the Fan 2 driver   | 19h           | SWL  | <a href="#">Page 41</a> |

**Table 5.1 EMC2305 Register Set (continued)**

| ADDR                           | R/W | REGISTER NAME                   | FUNCTION  | DEFAULT VALUE | LOCK | PAGE                    |
|--------------------------------|-----|---------------------------------|---|---------------|------|-------------------------|
| 47h                            | R/W | Fan 2 Max Step                  | Sets the maximum change per update for Fan 2  | 10h           | SWL  | <a href="#">Page 43</a> |
| 48h                            | R/W | Fan 2 Minimum Drive             | Sets the minimum drive value for the Fan 2 driver   | 66h (40%)     | SWL  | <a href="#">Page 44</a> |
| 49h                            | R/W | Fan 2 Valid TACH Count          | Holds the tachometer reading that indicates Fan 2 is spinning properly  | F5h           | SWL  | <a href="#">Page 44</a> |
| 4Ah                            | R/W | Fan 2 Drive Fail Band Low Byte  | Stores the number of Tach counts used to determine how the actual fan speed must match the target fan speed at full scale drive   | 00h           | SWL  | <a href="#">Page 45</a> |
| 4Bh                            | R/W | Fan 2 Drive Fail Band High Byte |   | 00h           | SWL  |                         |
| 4Ch                            | R/W | TACH 2 Target Low Byte          | Holds the target tachometer setting low byte for Fan 2  | F8h           | No   | <a href="#">Page 46</a> |
| 4Dh                            | R/W | TACH 2 Target High Byte         | Holds the target tachometer setting high byte for Fan 2   | FFh           | No   | <a href="#">Page 46</a> |
| 4Eh                            | R   | TACH 2 Reading High Byte        | Holds the tachometer reading high byte for Fan 2  | FFh           | No   | <a href="#">Page 47</a> |
| 4Fh                            | R   | TACH 2 Reading Low Byte         | Holds the tachometer reading low byte for Fan 2   | F8h           | No   | <a href="#">Page 47</a> |
| <b>Fan 3 Control Registers</b> |     |                                 |   |               |      |                         |
| 50h                            | R/W | Fan 3 Setting                   | Always displays the most recent fan driver input setting for Fan 3. If the RPM-based Fan Speed Control Algorithm is disabled, allows direct user control of the fan driver. | 00h           | No   | <a href="#">Page 36</a> |
| 51h                            | R/W | PWM 3 Divide                    | Stores the divide ratio to set the frequency for Fan 3  | 01h           | No   | <a href="#">Page 36</a> |
| 52h                            | R/W | Fan 3 Configuration 1           | Sets configuration values for the RPM-based Fan Speed Control Algorithm for the Fan 3 driver  | 2Bh           | No   | <a href="#">Page 37</a> |
| 53h                            | R/W | Fan 3 Configuration 2           | Sets additional configuration values for the Fan 3 driver   | 28h           | SWL  | <a href="#">Page 38</a> |
| 55h                            | R/W | Gain 3                          | Holds the gain terms used by the RPM-based Fan Speed Control Algorithm for the Fan 3 driver   | 2Ah           | SWL  | <a href="#">Page 40</a> |
| 56h                            | R/W | Fan 3 Spin Up Configuration     | Sets the configuration values for Spin Up Routine of the Fan 3 driver   | 19h           | SWL  | <a href="#">Page 41</a> |
| 57h                            | R/W | Fan 3 Max Step                  | Sets the maximum change per update for the Fan 3 driver   | 10h           | SWL  | <a href="#">Page 43</a> |
| 58h                            | R/W | Fan 3 Minimum Drive             | Sets the minimum drive value for the Fan 3 driver   | 66h (40%)     | SWL  | <a href="#">Page 44</a> |
| 59h                            | R/W | Fan 3 Valid TACH Count          | Holds the tachometer reading that indicates Fan 3 is spinning properly  | F5h           | SWL  | <a href="#">Page 44</a> |

Table 5.1 EMC2305 Register Set (continued)

| ADDR                    | R/W | REGISTER NAME                   | FUNCTION   | DEFAULT VALUE | LOCK | PAGE    |
|-------------------------|-----|---------------------------------|--|---------------|------|---------|
| 5Ah                     | R/W | Fan 3 Drive Fail Band Low Byte  | Stores the number of Tach counts used to determine how the actual fan speed must match the target fan speed at full scale drive  | 00h           | SWL  | Page 45 |
| 5Bh                     | R/W | Fan 3 Drive Fail Band High Byte |  | 00h           | SWL  |         |
| 5Ch                     | R/W | TACH 3 Target Low Byte          | Holds the target tachometer reading low byte for Fan 3   | F8h           | No   | Page 46 |
| 5Dh                     | R/W | TACH 3 Target High Byte         | Holds the target tachometer reading high byte for Fan 3  | FFh           | No   | Page 46 |
| 5Eh                     | R   | TACH 3 Reading High Byte        | Holds the tachometer reading high byte for Fan 3   | FFh           | No   | Page 47 |
| 5Fh                     | R   | TACH 3 Reading Low Byte         | Holds the tachometer reading low byte for Fan 3  | F8h           | No   | Page 47 |
| Fan 4 Control Registers |     |                                 |  |               |      |         |
| 60h                     | R/W | Fan 4 Setting                   | Always displays the most recent fan driver input setting for Fan 4. If the RPM- based Fan Speed Control Algorithm is disabled, allows direct user control of the fan driver. | 00h           | No   | Page 36 |
| 61h                     | R/W | PWM 4 Divide                    | Stores the divide ratio to set the frequency for Fan 4   | 01h           | No   | Page 36 |
| 62h                     | R/W | Fan 4 Configuration1            | Sets configuration values for the RPM-based Fan Speed Control Algorithm for Fan 4  | 2Bh           | No   | Page 37 |
| 63h                     | R/W | Fan 4 Configuration 2           | Sets additional configuration values for the Fan 4 driver  | 28h           | SWL  | Page 38 |
| 65h                     | R/W | Gain 4                          | Holds the gain terms used by the RPM-based Fan Speed Control Algorithm for Fan 4   | 2Ah           | SWL  | Page 40 |
| 66h                     | R/W | Fan 4 Spin Up Configuration     | Sets the configuration values for Spin Up Routine of the Fan 4 driver  | 19h           | SWL  | Page 41 |
| 67h                     | R/W | Fan 4 Max Step                  | Sets the maximum change per update for Fan 4   | 10h           | SWL  | Page 43 |
| 68h                     | R/W | Fan 4 Minimum Drive             | Sets the minimum drive value for the Fan 4 driver  | 66h (40%)     | SWL  | Page 44 |
| 69h                     | R/W | Fan 4 Valid TACH Count          | Holds the tachometer reading that indicates Fan 4 is spinning properly   | F5h           | SWL  | Page 44 |
| 6Ah                     | R/W | Fan 4 Drive Fail Band Low Byte  | Stores the number of Tach counts used to determine how the actual fan speed must match the target fan speed at full scale drive  | 00h           | SWL  | Page 45 |
| 6Bh                     | R/W | Fan 4 Drive Fail Band High Byte |  | 00h           | SWL  |         |
| 6Ch                     | R/W | TACH 4 Target Low Byte          | Holds the target tachometer setting low byte for Fan 4   | F8h           | No   | Page 46 |

**Table 5.1 EMC2305 Register Set (continued)**

| ADDR                    | R/W | REGISTER NAME                   | FUNCTION   | DEFAULT VALUE | LOCK | PAGE                    |
|-------------------------|-----|---------------------------------|--|---------------|------|-------------------------|
| 6Dh                     | R/W | TACH 4 Target High Byte         | Holds the target tachometer setting high byte for Fan 4  | FFh           | No   | <a href="#">Page 46</a> |
| 6Eh                     | R   | TACH 4 Reading High Byte        | Holds the tachometer reading high byte for Fan 4   | FFh           | No   | <a href="#">Page 47</a> |
| 6Fh                     | R   | TACH 4 Reading Low Byte         | Holds the tachometer reading low byte for Fan 4  | F8h           | No   | <a href="#">Page 47</a> |
| Fan 5 Control Registers |     |                                 |  |               |      |                         |
| 70h                     | R/W | Fan 5 Setting                   | Always displays the most recent fan driver input setting for Fan 5. If the RPM- based Fan Speed Control Algorithm is disabled, allows direct user control of the fan driver. | 00h           | No   | <a href="#">Page 36</a> |
| 71h                     | R/W | PWM 5 Divide                    | Stores the divide ratio to set the frequency for Fan 5   | 01h           | No   | <a href="#">Page 36</a> |
| 72h                     | R/W | Fan 5 Configuration 1           | Sets configuration values for the RPM-based Fan Speed Control Algorithm for Fan 5  | 2Bh           | No   | <a href="#">Page 37</a> |
| 73h                     | R/W | Fan 5 Configuration 2           | Sets additional configuration values for the Fan 5 driver  | 28h           | SWL  | <a href="#">Page 38</a> |
| 75h                     | R/W | Gain 5                          | Holds the gain terms used by the RPM-based Fan Speed Control Algorithm for Fan 5   | 2Ah           | SWL  | <a href="#">Page 40</a> |
| 76h                     | R/W | Fan 5 Spin Up Configuration     | Sets the configuration values for Spin Up Routine of the Fan 5 driver  | 19h           | SWL  | <a href="#">Page 41</a> |
| 77h                     | R/W | Fan 5 Max Step                  | Sets the maximum change per update for Fan 5   | 10h           | SWL  | <a href="#">Page 43</a> |
| 78h                     | R/W | Fan 5 Minimum Drive             | Sets the minimum drive value for the Fan 5 driver  | 66h (40%)     | SWL  | <a href="#">Page 44</a> |
| 79h                     | R/W | Fan 5 Valid TACH Count          | Holds the tachometer reading that indicates Fan 5 is spinning properly   | F5h           | SWL  | <a href="#">Page 44</a> |
| 7Ah                     | R/W | Fan 5 Drive Fail Band Low Byte  | Stores the number of Tach counts used to determine how the actual fan speed must match the target fan speed at full scale drive  | 00h           | SWL  | <a href="#">Page 45</a> |
| 7Bh                     | R/W | Fan 5 Drive Fail Band High Byte |  | 00h           | SWL  |                         |
| 7Ch                     | R/W | TACH 5 Target Low Byte          | Holds the target tachometer setting low byte for Fan 5   | F8h           | No   | <a href="#">Page 46</a> |
| 7Dh                     | R/W | TACH 5 Target High Byte         | Holds the target tachometer setting high byte for Fan 5  | FFh           | No   | <a href="#">Page 46</a> |
| 7Eh                     | R   | TACH 5 Reading High Byte        | Holds the tachometer reading high byte for Fan 5   | FFh           | No   | <a href="#">Page 47</a> |
| 7Fh                     | R   | TACH 5 Reading Low Byte         | Holds the tachometer reading low byte for Fan 5  | F8h           | No   | <a href="#">Page 47</a> |

Table 5.1 EMC2305 Register Set (continued)

| ADDR               | R/W | REGISTER NAME    | FUNCTION   | DEFAULT VALUE | LOCK | PAGE                    |
|--------------------|-----|------------------|--|---------------|------|-------------------------|
| Lock Register      |     |                  |  |               |      |                         |
| EF                 | R/W | Software Lock    | Locks all SWL registers  | 00h           | SWL  | <a href="#">Page 48</a> |
| Revision Registers |     |                  |  |               |      |                         |
| FC <sub>h</sub>    | R   | Product Features | Indicates functions determined upon device power up by external pin states | 00h           | No   | <a href="#">Page 48</a> |
| FD <sub>h</sub>    | R   | Product ID       | Stores the unique Product ID   | 34h           | No   | <a href="#">Page 49</a> |
| FE <sub>h</sub>    | R   | Manufacturer ID  | Stores the Manufacturer ID   | 5Dh           | No   | <a href="#">Page 50</a> |
| FF <sub>h</sub>    | R   | Revision         | Revision   | 80h           | No   | <a href="#">Page 50</a> |

During Power-On-Reset (POR), the default values are stored in the registers. A POR is initiated when power is first applied to the part and the voltage on the VDD supply surpasses the POR level as specified in the electrical characteristics. Any reads to undefined registers will return 00h. Writes to undefined registers will not have an effect.

### 5.1.1 Lock Entries

The Lock Column describes the locking mechanism, if any, used for individual registers. All SWL registers are Software Locked and therefore made read-only when the LOCK bit is set.

## 5.2 Configuration Register

Table 5.2 Configuration Register

| ADDR | R/W | REGISTER      | B7   | B6     | B5    | B4 | B3 | B2 | B1         | B0          | DEFAULT |
|------|-----|---------------|------|--------|-------|----|----|----|------------|-------------|---------|
| 20h  | R/W | Configuration | MASK | DIS_TO | WD_EN | -  | -  | -  | DR_EXT_CLK | USE_EXT_CLK | 40h     |

The Configuration Register controls the basic functionality of the EMC2305. The bits are described below. The Configuration Register is software locked.

Bit 7 - MASK - Blocks the ALERT# pin from being asserted.

- '0' (default) - The ALERT# pin is unmasked. If any bit in the status registers is set, the ALERT# pin will be asserted (unless individually masked via the Fan Interrupt Enable Register).
- '1' - The ALERT# pin is masked and will not be asserted.

Bit 6 - DIS\_TO - Disables the SMBus timeout function for the SMBus client (if enabled).

- '0' - The SMBus timeout function is enabled.
- '1' (default) - The SMBus timeout function is disabled allowing the device to be fully I<sup>2</sup>C compliant.

Bit 5 - WD\_EN - Enables the Watchdog timer (see [Section 4.8](#)) to operate in Continuous Mode.

- '0' (default) - The Watchdog timer does not operate continuously. It will function upon power up and at no other time (see [Section 4.8.1](#)).
- '1' - The Watchdog timer operates continuously as described in [Section 4.8.2](#).

Bit 1 - DR\_EXT\_CLK - Enables the internal tachometer clock to be driven out on the CLK pin so that multiple devices can be synced to the same source.

- '0' (default) - The CLK pin acts as a clock input.
- '1' - The CLK pin acts as a clock output and is a push-pull driver.

Bit 0 - USE\_EXT\_CLK - Enables the EMC2305 to use a clock present on the CLK pin as the tachometer clock. If the DR\_EXT\_CLK bit is set, then this bit is ignored and the device will use the internal oscillator.

- '0' (default) - The EMC2305 will use its internal oscillator for all Tachometer measurements.
- '1' - The EMC2305 will use the oscillator presented on the CLK pin for all Tachometer measurements.

## 5.3 Fan Status Registers

**Table 5.3 Fan Status Registers**

| ADDR | R/W | REGISTER              | B7    | B6 | B5 | B4          | B3          | B2          | B1          | B0          | DEFAULT |
|------|-----|-----------------------|-------|----|----|-------------|-------------|-------------|-------------|-------------|---------|
| 24h  | R-C | Fan Status            | WATCH | -  | -  | -           | -           | DRIVE_FAIL  | FAN_SPIN    | FAN_STALL   | 00h     |
| 25h  | R-C | Fan Stall Status      | -     | -  | -  | FAN5_STALL  | FAN4_STALL  | FAN3_STALL  | FAN2_STALL  | FAN1_STALL  | 00h     |
| 26h  | R-C | Fan Spin Status       | -     | -  | -  | FAN5_SPIN   | FAN4_SPIN   | FAN3_SPIN   | FAN2_SPIN   | FAN1_SPIN   | 00h     |
| 27h  | R-C | Fan Drive Fail Status | -     | -  | -  | DRIVE_FAIL5 | DRIVE_FAIL4 | DRIVE_FAIL3 | DRIVE_FAIL2 | DRIVE_FAIL1 | 00h     |

The Fan Status registers contain the status bits associated with each fan driver.

### 5.3.1 Fan Status - 24h

The Fan Status register indicates that one or more of the fan drivers has stalled or failed or that the Watchdog Timer has expired (see [Section 4.8](#)).

Bit 7 - WATCH - Indicates that the Watchdog Timer has expired. When set, each fan is driven to 100% duty cycle and will remain at 100% duty cycle until they are programmed. This bit is cleared when it is read.

Bit 2 - DRIVE\_FAIL - Indicates that one or more fan drivers cannot meet the programmed fan speed at maximum PWM duty cycle. This bit is set when any bit in the Fan Drive Fail Status register is set and cleared when all bits in the Fan Drive Fail Status register are cleared.

Bit 1 - FAN\_SPIN - Indicates that one or more fan drivers cannot spin up. This bit is set when any bit in the Fan Spin Status register is set and cleared when all of the bits in the Fan Spin Status register are cleared.

Bit 0 - FAN\_STALL - Indicates that one or more fan drivers have stalled. This bit is set when any bit in the Fan Stall Status register is set and cleared when all of the bits in the Fan Stall Status register are cleared.



### 5.3.2 Fan Stall Status - 25h

The Fan Stall Status register indicates which fan driver has detected a stalled condition (see [Section 4.4.1](#)). All bits are cleared upon a read if the error condition has been removed.

Bit 4 - FAN5\_STALL - Indicates that Fan 5 has stalled.

Bit 3 - FAN4\_STALL - Indicates that Fan 4 has stalled.

Bit 2 - FAN3\_STALL - Indicates that Fan 3 has stalled.

Bit 1 - FAN2\_STALL - Indicates that Fan 2 has stalled.

Bit 0 - FAN1\_STALL - Indicates that Fan 1 has stalled.

### 5.3.3 Fan Spin Status - 26h

The Fan Spin Status register indicates which fan driver has failed to spin-up (see [Section 4.6](#)). All bits are cleared upon a read if the error condition has been removed.

Bit 4 - FAN5\_SPIN - Indicates that Fan 5 has failed to spin up.

Bit 3 - FAN4\_SPIN - Indicates that Fan 4 has failed to spin up.

Bit 2 - FAN3\_SPIN - Indicates that Fan 3 has failed to spin up.

Bit 1 - FAN2\_SPIN - Indicates that Fan 2 has failed to spin up.

Bit 0 - FAN1\_SPIN - Indicates that Fan 1 has failed to spin up.

### 5.3.4 Fan Drive Fail Status - 27h

The Fan Drive Fail Status register indicates which fan driver cannot drive to the programmed speed even at 100% duty cycle (see [Section 4.4.2](#) and [Section 5.12](#)). All bits are cleared upon a read if the error condition has been removed.

Bit 4 - DRIVE\_FAIL5 - Indicates that Fan 5 cannot reach its programmed fan speed even at 100% duty cycle. This may be due to an aging fan or invalid programming.

Bit 3 - DRIVE\_FAIL4 - Indicates that Fan 4 cannot reach its programmed fan speed even at 100% duty cycle. This may be due to an aging fan or invalid programming.

Bit 2 - DRIVE\_FAIL3 - Indicates that Fan 3 cannot reach its programmed fan speed even at 100% duty cycle. This may be due to an aging fan or invalid programming.

Bit 1 - DRIVE\_FAIL2 - Indicates that Fan 2 cannot reach its programmed fan speed even at 100% duty cycle. This may be due to an aging fan or invalid programming.

Bit 0 - DRIVE\_FAIL1 - Indicates that Fan 1 cannot reach its programmed fan speed even at 100% duty cycle. This may be due to an aging fan or invalid programming.

## 5.4 Fan Interrupt Enable Register

Table 5.4 Fan Interrupt Enable Register

| ADDR | R/W | REGISTER             | B7 | B6 | B5 | B4          | B3          | B2          | B1          | B0          | DEFAULT |
|------|-----|----------------------|----|----|----|-------------|-------------|-------------|-------------|-------------|---------|
| 29h  | R/W | Fan Interrupt Enable | -  | -  | -  | FAN5_INT_EN | FAN4_INT_EN | FAN3_INT_EN | FAN2_INT_EN | FAN1_INT_EN | 00h     |

The Fan Interrupt Enable controls the masking for each Fan channel. When a channel is enabled, it will cause the ALERT# pin to be asserted when an error condition is detected.

Bit 4 - FAN5\_INT\_EN - Allows Fan 5 to assert the ALERT# pin if an error condition is detected.

Bit 3 - FAN4\_INT\_EN - Allows Fan 4 to assert the ALERT# pin if an error condition is detected.

Bit 2 - FAN3\_INT\_EN - Allows Fan 3 to assert the ALERT# pin if an error condition is detected.

Bit 1 - FAN2\_INT\_EN - Allows Fan 2 to assert the ALERT# pin if an error condition is detected.

Bit 0 - FAN1\_INT\_EN - Allows Fan 1 to assert the ALERT# pin if an error condition is detected.

- '0' (default) - An error condition on Fan X will not cause the ALERT# pin to be asserted, however the status registers will be updated normally.
- '1' - An error condition (Stall, Spin Up, Drive Fail) on Fan X will cause the ALERT# pin to be asserted.

## 5.5 PWM Configuration Registers

**Table 5.5 PWM Configuration Registers**

| ADDR | R/W | REGISTER            | B7 | B6 | B5 | B4            | B3            | B2            | B1            | B0            | DEFAULT |
|------|-----|---------------------|----|----|----|---------------|---------------|---------------|---------------|---------------|---------|
| 2Ah  | R/W | PWM Polarity Config | -  | -  | -  | POLARITY<br>5 | POLARITY<br>4 | POLARITY<br>3 | POLARITY<br>2 | POLARITY<br>1 | 00h     |
| 2Bh  | R/W | PWM Output Config   | -  | -  | -  | PWM5_OT       | PWM4_OT       | PWM3_OT       | PWM2_OT       | PWM1_OT       | 00h     |

The PWM Config registers control the output type and polarity of all PWM outputs.

### 5.5.1 PWM Polarity Config - 2Ah

Bit 4 - POLARITY5 - Determines the polarity of PWM 5.

Bit 3 - POLARITY4 - Determines the polarity of PWM 4.

Bit 2 - POLARITY3 - Determines the polarity of PWM 3.

Bit 1 - POLARITY2 - Determines the polarity of PWM 2.

Bit 0 - POLARITY1 - Determines the polarity of PWM 1.

- '0' (default) - the Polarity of the PWM driver is normal. A drive setting of 00h will cause the output to be set at 0% duty cycle and a drive setting of FFh will cause the output to be set at 100% duty cycle.
- '1' - The Polarity of the PWM driver is inverted. A drive setting of 00h will cause the output to be set at 100% duty cycle and a drive setting of FFh will cause the output to be set at 0% duty cycle.

### 5.5.2 PWM Output Config - 2Bh

Bit 4 - PWM5\_OT - Determines the output type of the PWM 5 driver.

Bit 3 - PWM4\_OT - Determines the output type of the of PWM 4 driver.

Bit 2 - PWM3\_OT - Determines the output type of the of PWM 3 driver.

Bit 1 - PWM2\_OT - Determines the output type of PWM 2 driver.

Bit 0 - PWM1\_OT - Determines the output type of the PWM 1 driver.

- '0' (default) - The PWM 1 output is configured as an open drain output.
- '1' - The PWM 1 output is configured as a push-pull output.

## 5.6 PWM Base Frequency Registers

Table 5.6 PWM Base Frequency Registers

| ADDR | R/W | REGISTER             | B7 | B6 | B5           | B4           | B3              | B2           | B1              | B0           | DEFAULT |
|------|-----|----------------------|----|----|--------------|--------------|-----------------|--------------|-----------------|--------------|---------|
| 2Ch  | R/W | PWM Base Frequency 1 | -  | -  | -            | -            | PWM_BASE5 [1:0] |              | PWM_BASE4 [1:0] |              | 00h     |
| 2Dh  | R/W | PWM Base Frequency 2 | -  | -  | PWM_BASE 3_1 | PWM_BASE 3_0 | PWM_BASE 2_1    | PWM_BASE 2_0 | PWM_BASE 1_1    | PWM_BASE 1_0 | 00h     |

The PWM Base Frequency registers determine the base frequency that is used with the PWM Divide register to determine the final PWM frequency. Each PWM frequency is set by the base frequency and its respective divide ratio (see [Section 5.8](#)).

### 5.6.1 PWM Base Frequency 1 - 2Bh

Controls the base frequency of PWM drivers 4 and 5.

Bits 3-2 - PWM\_BASE5[1:0] - Determines the base frequency of the PWM5 driver.

Bits 1-0 - PWM\_BASE4[1:0] - Determines the base frequency of the PWM4 driver.

### 5.6.2 PWM Base Frequency 2 - 2Ch

Controls the base frequency of PWM drivers 1-3

Bits 5-6 - PWM\_BASE3[1:0] - Determines the base frequency of the PWM3 driver.

Bits 3-2 - PWM\_BASE2[1:0] - Determines the base frequency of the PWM2 driver.

Bits 1-0 - PWM\_BASE1[1:0] - Determines the base frequency of the PWM1 driver.

Table 5.7 PWM\_BASEx[1:0] Bit Decode

| PWM_BASEx[1:0] |   | BASE FREQUENCY     |
|----------------|---|--------------------|
| 1              | 0 |                    |
| 0              | 0 | 26.00kHz (default) |
| 0              | 1 | 19.531kHz          |
| 1              | 0 | 4,882Hz            |
| 1              | 1 | 2,441Hz            |

## 5.7 Fan Setting Registers

**Table 5.8 Fan Driver Setting Registers**

| ADDR | R/W | REGISTER      | B7  | B6 | B5 | B4 | B3 | B2 | B1 | B0 | DEFAULT |
|------|-----|---------------|-----|----|----|----|----|----|----|----|---------|
| 30h  | R/W | Fan 1 Setting | 128 | 64 | 32 | 16 | 8  | 4  | 2  | 1  | 00h     |
| 40h  | R/W | Fan 2 Setting | 128 | 64 | 32 | 16 | 8  | 4  | 2  | 1  | 00h     |
| 50h  | R/W | Fan 3 Setting | 128 | 64 | 32 | 16 | 8  | 4  | 2  | 1  | 00h     |
| 60h  | R/W | Fan 4 Setting | 128 | 64 | 32 | 16 | 8  | 4  | 2  | 1  | 00h     |
| 70h  | R/W | Fan 5 Setting | 128 | 64 | 32 | 16 | 8  | 4  | 2  | 1  | 00h     |

The Fan Setting register always displays the current setting of the respective fan driver. Reading from any of the registers will report the current fan speed setting of the appropriate fan driver regardless of the operating mode. Therefore it is possible that reading from this register will not report data that was previously written into this register.

While the RPM-based Fan Speed Control Algorithm is active, the register is read only. Writing to the register will have no effect and the data will not be stored.

The contents of the register represent the weighting of each bit in determining the final output voltage. The output drive for a PWM output is given by [Equation \[1\]](#).

$$Drive = \left( \frac{VALUE}{255} \right) \times 100\% \quad [1]$$

## 5.8 PWM Divide Registers

**Table 5.9 PWM Divide Registers**

| ADDR | R/W | REGISTER     | B7  | B6 | B5 | B4 | B3 | B2 | B1 | B0 | DEFAULT |
|------|-----|--------------|-----|----|----|----|----|----|----|----|---------|
| 31h  | R/W | Fan 1 Divide | 128 | 64 | 32 | 16 | 8  | 4  | 2  | 1  | 01h     |
| 41h  | R/W | Fan 2 Divide | 128 | 64 | 32 | 16 | 8  | 4  | 2  | 1  | 01h     |
| 51h  | R/W | Fan 3 Divide | 128 | 64 | 32 | 16 | 8  | 4  | 2  | 1  | 01h     |
| 61h  | R/W | Fan 4 Divide | 128 | 64 | 32 | 16 | 8  | 4  | 2  | 1  | 01h     |
| 71h  | R/W | Fan 5 Divide | 128 | 64 | 32 | 16 | 8  | 4  | 2  | 1  | 01h     |

The PWM Divide registers determine the final frequency of the respective PWM Fan Driver. Each driver base frequency is divided by the value of the respective PWM Divide Register to determine the final frequency. The duty cycle settings are not affected by these settings, only the final frequency of the PWM driver. A value of 00h will be decoded as 01h.

## 5.9 Fan Configuration 1 Registers

Table 5.10 Fan Configuration 1 Registers

| ADDR | R/W | REGISTER              | B7       | B6          | B5 | B4          | B3 | B2           | B1 | B0 | DEFAULT |
|------|-----|-----------------------|----------|-------------|----|-------------|----|--------------|----|----|---------|
| 32h  | R/W | Fan 1 Configuration 1 | EN_ALGO1 | RANGE1[1:0] |    | EDGES1[1:0] |    | UPDATE1[2:0] |    |    | 2Bh     |
| 42h  | R/W | Fan 2 Configuration 1 | EN_ALGO2 | RANGE2[1:0] |    | EDGES2[1:0] |    | UPDATE2[2:0] |    |    | 2Bh     |
| 52h  | R/W | Fan 3 Configuration 1 | EN_ALGO3 | RANGE3[1:0] |    | EDGES3[1:0] |    | UPDATE3[2:0] |    |    | 2Bh     |
| 62h  | R/W | Fan 4 Configuration 1 | EN_ALGO4 | RANGE4[1:0] |    | EDGES4[1:0] |    | UPDATE4[2:0] |    |    | 2Bh     |
| 72h  | R/W | Fan 5 Configuration 1 | EN_ALGO5 | RANGE5[1:0] |    | EDGES5[1:0] |    | UPDATE5[2:0] |    |    | 2Bh     |

The Fan Configuration 1 registers control the general operation of the RPM-based Fan Speed Control Algorithm used for the respective Fan Driver.

Bit 7 - EN\_ALGOx - enables the RPM-based Fan Speed Control Algorithm.

- '0' - (default) the control circuitry is disabled and the fan driver output is determined by the Fan Driver Setting Register.
- '1' - the control circuitry is enabled and the Fan Driver output will be automatically updated to maintain the programmed fan speed as indicated by the TACH Target Register.

Bits 6- 5 - RANGE<sub>x</sub>[1:0] - Adjusts the range of reported and programmed tachometer reading values. The RANGE bits determine the weighting of all TACH values (including the Valid TACH Count, TACH Target, and TACH reading) as shown in [Table 5.11](#).

Table 5.11 Range Decode

| RANGEX[1:0] |   | REPORTED MINIMUM RPM | TACH COUNT MULTIPLIER |
|-------------|---|----------------------|-----------------------|
| 1           | 0 |                      |                       |
| 0           | 0 | 500                  | 1                     |
| 0           | 1 | 1000 (default)       | 2                     |
| 1           | 0 | 2000                 | 4                     |
| 1           | 1 | 4000                 | 8                     |

Bits 4-3 - EDGES<sub>x</sub>[1:0] - determines the minimum number of edges that must be detected on the TACH<sub>x</sub> signal to determine a single rotation. A typical fan measured 5 edges (for a 2-pole fan). For more accurate tachometer measurement, the minimum number of edges measured may be increased.

Increasing the number of edges measured with respect to the number of poles of the fan will cause the TACH Reading registers to indicate a fan speed that is higher or lower than the actual speed. In order for the FSC Algorithm to operate correctly, the TACH Target must be updated by the user to accommodate this shift. The Effective Tach Multiplier shown in [Table 5.12](#) is used as a direct multiplier term that is applied to the Actual RPM to achieve the Reported RPM. It should only be applied if the

number of edges measured does not match the number of edges expected based on the number of poles of the fan (which is fixed for any given fan).

Contact SMSC for recommended settings when using fans with more or less than 2 poles.

**Table 5.12 Minimum Edges for Fan Rotation**

| EDGESX[1:0] |   | MINIMUM TACH EDGES | NUMBER OF FAN POLES | EFFECTIVE TACH MULTIPLIER (BASED ON 2 POLE FANS) |
|-------------|---|--------------------|---------------------|--|
| 1           | 0 |                    |                     |  |
| 0           | 0 | 3                  | 1 pole              | 0.5  |
| 0           | 1 | 5                  | 2 poles (default)   | 1  |
| 1           | 0 | 7                  | 3 poles             | 1.5  |
| 1           | 1 | 9                  | 4 poles             | 2  |

Bit 2-0 - UPDATEX[2:0] - determines the base time between fan driver updates. The Update Time, along with the Fan Step Register, is used to control the ramp rate of the drive response to provide a cleaner transition of the actual fan operation as the desired fan speed changes. The Update Time is set as shown in [Table 5.13](#).

**Table 5.13 Update Time**

| UPDATEX[2:0] |   |   | UPDATE TIME     |
|--------------|---|---|-----------------|
| 2            | 1 | 0 |                 |
| 0            | 0 | 0 | 100ms           |
| 0            | 0 | 1 | 200ms           |
| 0            | 1 | 0 | 300ms           |
| 0            | 1 | 1 | 400ms (default) |
| 1            | 0 | 0 | 500ms           |
| 1            | 0 | 1 | 800ms           |
| 1            | 1 | 0 | 1200ms          |
| 1            | 1 | 1 | 1600ms          |

## 5.10 Fan Configuration 2 Registers

**Table 5.14 Fan Configuration 2 Registers**

| ADDR | R/W | REGISTER              | B7 | B6      | B5         | B4             | B3 | B2            | B1 | B0 | DEFAULT |
|------|-----|-----------------------|----|---------|------------|----------------|----|---------------|----|----|---------|
| 33h  | R/W | Fan 1 Configuration 2 | -  | EN_RRC1 | GLITCH_EN1 | DER_OPT1 [1:0] |    | ERR_RNG1[1:0] |    | -  | 28h     |
| 43h  | R/W | Fan 2 Configuration 2 | -  | EN_RRC2 | GLITCH_EN2 | DER_OPT2 [1:0] |    | ERR_RNG2[1:0] |    | -  | 28h     |

**Table 5.14 Fan Configuration 2 Registers (continued)**

| ADDR | R/W | REGISTER              | B7 | B6      | B5         | B4             | B3 | B2            | B1 | B0 | DEFAULT |
|------|-----|-----------------------|----|---------|------------|----------------|----|---------------|----|----|---------|
| 53h  | R/W | Fan 3 Configuration 2 | -  | EN_RRC3 | GLITCH_EN3 | DER_OPT3 [1:0] |    | ERR_RNG3[1:0] |    | -  | 28h     |
| 63h  | R/W | Fan 4 Configuration 2 | -  | EN_RRC4 | GLITCH_EN4 | DER_OPT4 [1:0] |    | ERR_RNG4[1:0] |    | -  | 28h     |
| 73h  | R/W | Fan 5 Configuration 2 | -  | EN_RRC5 | GLITCH_EN5 | DER_OPT5 [1:0] |    | ERR_RN55[1:0] |    | -  | 28h     |

The Fan Configuration 2 registers control the tachometer measurement and advanced features of the RPM-based Fan Speed Control Algorithm.

Bit 6 - EN\_RRCx - Enables ramp rate control when the corresponding fan driver is operated in the Direct Setting Mode.

- '0' (default) - Ramp rate control is disabled. When the fan driver is operating in Direct Setting mode, the fan setting will instantly transition to the next programmed setting.
- '1' - Ramp rate control is enabled. When the fan driver is operating in Direct Setting mode, the fan drive setting will follow the ramp rate controls as determined by the Fan Step and Update Time settings. The maximum fan drive setting step is capped at the Fan Step setting and is updated based on the Update Time as given by [Table 5.13](#).

Bit 5 - GLITCH\_ENx - Disables the low pass glitch filter that removes high frequency noise injected on the TACHx pin.

- '0' - The glitch filter is disabled.
- '1' (default) - The glitch filter is enabled.

Bits 4 - 3 - DER\_OPTx[1:0] - Control some of the advanced options that affect the derivative portion of the RPM-based Fan Speed Control Algorithm as shown in [Table 5.15](#).

**Table 5.15 Derivative Options**

| DER_OPTX[1:0] |   | OPERATION   |
|---------------|---|---|
| 1             | 0 |   |
| 0             | 0 | No derivative options used  |
| 0             | 1 | Basic derivative. The derivative of the error from the current drive setting and the target is added to the iterative Fan Drive Register setting (in addition to proportional and integral terms) (default) |
| 1             | 0 | Step derivative. The derivative of the error from the current drive setting and the target is added to the iterative Fan Drive Register setting and is not capped by the Fan Step Register.                 |
| 1             | 1 | Both the basic derivative and the step derivative are used effectively causing the derivative term to have double the effect of the derivative term.  |

Bit 2 - 1 - ERR\_RNGx[1:0] - Control some of the advanced options that affect the error window. When the measured fan speed is within the programmed error window around the target speed, then the fan

drive setting is not updated. The algorithm will continue to monitor the fan speed and calculate necessary drive setting changes based on the error; however, these changes are ignored.

**Table 5.16 Error Range Options**

| ERR_RNGX[1:0] |   | OPERATION       |
|---------------|---|-----------------|
| 1             | 0 |                 |
| 0             | 0 | 0 RPM (default) |
| 0             | 1 | 50 RPM          |
| 1             | 0 | 100 RPM         |
| 1             | 1 | 200 RPM         |

## 5.11 Gain Registers

**Table 5.17 Gain Registers**

| ADDR | R/W | REGISTER        | B7 | B6 | B5          | B4 | B3          | B2 | B1          | B0 | DEFAULT |
|------|-----|-----------------|----|----|-------------|----|-------------|----|-------------|----|---------|
| 35h  | R/W | Gain 1 Register | -  | -  | GAIND1[1:0] |    | GAINI1[1:0] |    | GAINP1[1:0] |    | 2Ah     |
| 45h  | R/W | Gain 2 Register | -  | -  | GAIND2[1:0] |    | GAINI2[1:0] |    | GAINP2[1:0] |    | 2Ah     |
| 55h  | R/W | Gain 3 Register | -  | -  | GAIND3[1:0] |    | GAINI3[1:0] |    | GAINP3[1:0] |    | 2Ah     |
| 65h  | R/W | Gain 4 Register | -  | -  | GAIND4[1:0] |    | GAINI4[1:0] |    | GAINP4[1:0] |    | 2Ah     |
| 75h  | R/W | Gain 5 Register | -  | -  | GAIND5[1:0] |    | GAINI5[1:0] |    | GAINP5[1:0] |    | 2Ah     |

The Gain registers store the gain terms used by the proportional and integral portions of each of the RPM-based Fan Speed Control Algorithms. These gain terms are used as the KD, KI, and KP gain terms in a classic PID control solution.

Bits 5 - 4 - GAINDX[1:0] - Controls the derivative gain term used by the FSC algorithm as shown in [Table 5.18](#).

Bits 3-2 - GAINIX[1:0] - Controls the integral gain term used by the FSC algorithm as shown in [Table 5.18](#).

Bits 1-0 - GAINP[1:0] - Controls the proportional gain term used by the FSC algorithm as shown in [Table 5.18](#).



Table 5.18 Gain Decode

| GAIND OR GAINP OR GAINI [1:0] |   | RESPECTIVE GAIN FACTOR |
|-------------------------------|---|------------------------|
| 1                             | 0 |                        |
| 0                             | 0 | 1x                     |
| 0                             | 1 | 2x                     |
| 1                             | 0 | 4x (default)           |
| 1                             | 1 | 8x                     |

## 5.12 Fan Spin Up Configuration Registers

Table 5.19 Fan Spin Up Configuration Registers

| ADDR | R/W | REGISTER                    | B7                    | B6 | B5      | B4 | B3 | B2             | B1 | B0                  | DEFAULT |
|------|-----|-----------------------------|-----------------------|----|---------|----|----|----------------|----|---------------------|---------|
| 36h  | R/W | Fan 1 Spin Up Configuration | DRIVE_FAIL_CNT1 [1:0] |    | NOKICK1 |    |    | SPIN_LVL1[2:0] |    | SPINUP_TIME 1 [1:0] | 19h     |
| 46h  | R/W | Fan 2 Spin up Configuration | DRIVE_FAIL_CNT2 [1:0] |    | NOKICK2 |    |    | SPIN_LVL2[2:0] |    | SPINUP_TIME 2 [1:0] | 19h     |
| 56h  | R/W | Fan 3 Spin up Configuration | DRIVE_FAIL_CNT3 [1:0] |    | NOKICK3 |    |    | SPIN_LVL3[2:0] |    | SPINUP_TIME 3[1:0]  | 19h     |
| 66h  | R/W | Fan 4 Spin up Configuration | DRIVE_FAIL_CNT4 [1:0] |    | NOKICK4 |    |    | SPIN_LVL4[2:0] |    | SPINUP_TIME 4 [1:0] | 19h     |
| 76h  | R/W | Fan 5 Spin up Configuration | DRIVE_FAIL_CNT5 [1:0] |    | NOKICK5 |    |    | SPIN_LVL5[2:0] |    | SPINUP_TIME 5 [1:0] | 19h     |

The Fan Spin Up Configuration registers control the settings of Spin Up Routine. The Fan Spin Up Configuration registers are software locked.

Bit 7 - 6 - DRIVE\_FAIL\_CNTx[1:0] - Determines how many update cycles are used for the Drive Fail detection function as shown in [Table 5.20](#). This circuitry determines whether the fan can be driven to the desired tach target.

Table 5.20 DRIVE\_FAIL\_CNT[1:0] Bit Decode

| DRIVE_FAIL_CNTX[1:0] |   | NUMBER OF UPDATE PERIODS   |
|----------------------|---|--|
| 1                    | 0 |  |
| 0                    | 0 | Disabled - the Drive Fail detection circuitry is disabled (default)      |
| 0                    | 1 | 16 - the Drive Fail detection circuitry will count for 16 update periods |

**Table 5.20 DRIVE\_FAIL\_CNT[1:0] Bit Decode (continued)**

| DRIVE_FAIL_CNTx[1:0] |   | NUMBER OF UPDATE PERIODS   |
|----------------------|---|--|
| 1                    | 0 |  |
| 1                    | 0 | 32 - the Drive Fail detection circuitry will count for 32 update periods |
| 1                    | 1 | 64 - the Drive Fail detection circuitry will count for 64 update periods |

Bit 5 - NOKICKx - Determines if the Spin Up Routine will drive the fan to 100% duty cycle for 1/4 of the programmed spin up time before driving it at the programmed level.

- '0' (default) - The Spin Up Routine will drive the fan driver to 100% for 1/4 of the programmed spin up time before reverting to the programmed spin level.
- '1' - The Spin Up Routine will not drive the fan driver to 100%. It will set the drive at the programmed spin level for the entire duration of the programmed spin up time.

Bits 4 - 2 - SPIN\_LVLx[2:0] - Determines the final drive level that is used by the Spin Up Routine as shown in [Table 5.21](#).

**Table 5.21 Spin Level**

| SPIN_LVLX[2:0] |   |   | SPIN UP DRIVE LEVEL |
|----------------|---|---|---------------------|
| 2              | 1 | 0 |                     |
| 0              | 0 | 0 | 30%                 |
| 0              | 0 | 1 | 35%                 |
| 0              | 1 | 0 | 40%                 |
| 0              | 1 | 1 | 45%                 |
| 1              | 0 | 0 | 50%                 |
| 1              | 0 | 1 | 55%                 |
| 1              | 1 | 0 | 60% (default)       |
| 1              | 1 | 1 | 65%                 |

Bit 1 -0 - SPINUP\_TIMEx[1:0] - determines the maximum Spin Time that the Spin Up Routine will run for (see [Section 4.6](#)). If a valid tachometer measurement is not detected before the Spin Time has elapsed, an interrupt will be generated. When the RPM-based Fan Speed Control Algorithm is active, the fan driver will attempt to re-start the fan immediately after the end of the last spin up attempt.

The Spin Time is set as shown in [Table 5.22](#).

Table 5.22 Spin Time

| SPINUP_TIMEX[1:0] |   | TOTAL SPIN UP TIME |
|-------------------|---|--------------------|
| 1                 | 0 |                    |
| 0                 | 0 | 250 ms             |
| 0                 | 1 | 500 ms (default)   |
| 1                 | 0 | 1 sec              |
| 1                 | 1 | 2 sec              |

### 5.13 Fan Max Step Registers

Table 5.23 Fan Max Step Registers

| ADDR | R/W | REGISTER       | B7 | B6 | B5 | B4 | B3 | B2 | B1 | B0 | DEFAULT |
|------|-----|----------------|----|----|----|----|----|----|----|----|---------|
| 37h  | R/W | Fan 1 Max Step | -  | -  | 32 | 16 | 8  | 4  | 2  | 1  | 10h     |
| 47h  | R/W | Fan 2 Max Step | -  | -  | 32 | 16 | 8  | 4  | 2  | 1  | 10h     |
| 57h  | R/W | Fan 3 Max Step | -  | -  | 32 | 16 | 8  | 4  | 2  | 1  | 10h     |
| 67h  | R/W | Fan 4 Max Step | -  | -  | 32 | 16 | 8  | 4  | 2  | 1  | 10h     |
| 77h  | R/W | Fan 5 Max Step | -  | -  | 32 | 16 | 8  | 4  | 2  | 1  | 10h     |

The Fan Max Step registers, along with the Update Time, control the ramp rate of the fan driver response calculated by the RPM-based Fan Speed Control Algorithm. The value of the register represents the maximum step size each fan driver will take between update times (see [Section 5.9](#)).

When the FSC algorithm is enabled, Ramp Rate control is automatically used. When the FSC is not active, then Ramp Rate control can be enabled by asserting the EN\_RRC bit (see [Section 5.10](#)).

**APPLICATION NOTE:** The UPDATE bits and Fan Step Register settings operate independently of the RPM-based Fan Speed Control Algorithm and will always limit the fan drive setting. That is, if the programmed fan drive setting (either as determined by the RPM-based Fan Speed Control Algorithm or by manual settings) exceeds the current fan drive setting by greater than the Fan Step Register setting, the EMC2305 will limit the fan drive change to the value of the Fan Step Register. It will use the Update Time to determine how often to update the drive settings.

**APPLICATION NOTE:** If the Fan Speed Control Algorithm is used, the default settings in the Fan Configuration 2 Register will cause the maximum fan step settings to be ignored.

The Fan Max Step registers are software locked.

## 5.14 Fan Minimum Drive Registers

**Table 5.24 Minimum Fan Drive Registers**

| ADDR | R/W | REGISTER            | B7  | B6 | B5 | B4 | B3 | B2 | B1 | B0 | DEFAULT   |
|------|-----|---------------------|-----|----|----|----|----|----|----|----|-----------|
| 38h  | R/W | Fan 1 Minimum Drive | 128 | 64 | 32 | 16 | 8  | 4  | 2  | 1  | 66h (40%) |
| 48h  | R/W | Fan 2 Minimum Drive | 128 | 64 | 32 | 16 | 8  | 4  | 2  | 1  | 66h (40%) |
| 58h  | R/W | Fan 3 Minimum Drive | 128 | 64 | 32 | 16 | 8  | 4  | 2  | 1  | 66h (40%) |
| 68h  | R/W | Fan 4 Minimum Drive | 128 | 64 | 32 | 16 | 8  | 4  | 2  | 1  | 66h (40%) |
| 78h  | R/W | Fan 5 Minimum Drive | 128 | 64 | 32 | 16 | 8  | 4  | 2  | 1  | 66h (40%) |

The Fan Minimum Drive registers store the minimum drive setting for each RPM-based Fan Speed Control Algorithm. The RPM-based Fan Speed Control Algorithm will not drive the fan at a level lower than the minimum drive unless the target Fan Speed is set at FFh (see [Section 5.17](#)).

During normal operation, if the fan stops for any reason (including low drive), the RPM-based Fan Speed Control Algorithm will attempt to restart the fan. Setting the Fan Minimum Drive Register to a setting that will maintain fan operation is a useful way to avoid potential fan oscillations as the control circuitry attempts to drive it at a level that cannot support fan operation.

The Fan Minimum Drive Registers are software locked.

## 5.15 Valid TACH Count Registers

**Table 5.25 Valid TACH Count Registers**

| ADDR | R/W | REGISTER           | B7   | B6   | B5   | B4  | B3  | B2  | B1 | B0 | DEFAULT |
|------|-----|--------------------|------|------|------|-----|-----|-----|----|----|---------|
| 39h  | R/W | Valid TACH Count 1 | 4096 | 2048 | 1024 | 512 | 256 | 128 | 64 | 32 | F5h     |
| 49h  | R/W | Valid TACH Count 2 | 4096 | 2048 | 1024 | 512 | 256 | 128 | 64 | 32 | F5h     |
| 59h  | R/W | Valid TACH Count 3 | 4096 | 2048 | 1024 | 512 | 256 | 128 | 64 | 32 | F5h     |
| 69h  | R/W | Valid TACH Count 4 | 4096 | 2048 | 1024 | 512 | 256 | 128 | 64 | 32 | F5h     |
| 79h  | R/W | Valid TACH Count 5 | 4096 | 2048 | 1024 | 512 | 256 | 128 | 64 | 32 | F5h     |

The Valid TACH Count registers store the maximum TACH Reading Register value to indicate that each fan is spinning properly. The value is referenced at the end of the Spin Up Routine to determine if the fan has started operating and decide if the device needs to retry. See [Equation \[2\]](#) in [Section 5.18](#) for translating the count to an RPM.

If the TACH Reading Register value exceeds the Valid TACH Count Register (indicating that the Fan RPM is below the threshold set by this count), then a stalled fan is detected. In this condition, the algorithm will automatically begin its Spin Up Routine.

If a TACH Target setting is set above the Valid TACH Count setting, then that setting will be ignored and the algorithm will use the current fan drive setting.

The Valid TACH Count registers are software locked.

## 5.16 Fan Drive Fail Band Registers

Table 5.26 Fan Drive Fail Band Registers

| ADDR | R/W | REGISTER                        | B7   | B6   | B5   | B4  | B3  | B2  | B1 | B0 | DEFAULT |
|------|-----|---------------------------------|------|------|------|-----|-----|-----|----|----|---------|
| 3Ah  | R/W | Fan 1 Drive Fail Band Low Byte  | 16   | 8    | 4    | 2   | 1   | -   | -  | -  | 00h     |
| 3Bh  | R/W | Fan 1 Drive Fail Band High Byte | 4096 | 2048 | 1024 | 512 | 256 | 128 | 64 | 32 | 00h     |
| 4Ah  | R/W | Fan 2 Drive Fail Band Low Byte  | 16   | 8    | 4    | 2   | 1   | -   | -  | -  | 00h     |
| 4Bh  | R/W | Fan 2 Drive Fail Band High Byte | 4096 | 2048 | 1024 | 512 | 256 | 128 | 64 | 32 | 00h     |
| 5Ah  | R/W | Fan 3 Drive Fail Band Low Byte  | 16   | 8    | 4    | 2   | 1   | -   | -  | -  | 00h     |
| 5Bh  | R/W | Fan 3 Drive Fail Band High Byte | 4096 | 2048 | 1024 | 512 | 256 | 128 | 64 | 32 | 00h     |
| 6Ah  | R/W | Fan 4 Drive Fail Band Low Byte  | 16   | 8    | 4    | 2   | 1   | -   | -  | -  | 00h     |
| 6Bh  | R/W | Fan 4 Drive Fail Band High Byte | 4096 | 2048 | 1024 | 512 | 256 | 128 | 64 | 32 | 00h     |
| 7Ah  | R/W | Fan 5 Drive Fail Band Low Byte  | 16   | 8    | 4    | 2   | 1   | -   | -  | -  | 00h     |
| 7Bh  | R/W | Fan 5 Drive Fail Band High Byte | 4096 | 2048 | 1024 | 512 | 256 | 128 | 64 | 32 | 00h     |

The Fan Drive Fail Band Registers store the number of tach counts used by the Fan Drive Fail detection circuitry. This circuitry is activated when the fan drive setting high byte is at FFh. When it is enabled, the actual measured fan speed is compared against the target fan speed. These registers are only used when the FSC is active.

This circuitry is used to indicate that the target fan speed at full drive is higher than the fan is actually capable of reaching. If the measured fan speed does not exceed the target fan speed minus the Fan Drive Fail Band Register settings for a period of time longer than set by the DRIVE\_FAIL\_CNTx[1:0] bits, then the DRIVE\_FAIL status bit will be set and an interrupt generated.

## 5.17 TACH Target Registers

**Table 5.27 TACH Target Registers**

| ADDR | R/W | REGISTER                | B7   | B6   | B5   | B4  | B3  | B2  | B1 | B0 | DEFAULT |
|------|-----|-------------------------|------|------|------|-----|-----|-----|----|----|---------|
| 3Ch  | R/W | TACH Target 1 Low Byte  | 16   | 8    | 4    | 2   | 1   | -   | -  | -  | F8h     |
| 3Dh  | R/W | TACH Target 1 High Byte | 4096 | 2048 | 1024 | 512 | 256 | 128 | 64 | 32 | FFh     |
| 4Ch  | R   | TACH Target 2 Low Byte  | 16   | 8    | 4    | 2   | 1   | -   | -  | -  | F8h     |
| 4Dh  | R/W | TACH Target 2 High Byte | 4096 | 2048 | 1024 | 512 | 256 | 128 | 64 | 32 | FFh     |
| 5Ch  | R   | TACH Target 3 Low Byte  | 16   | 8    | 4    | 2   | 1   | -   | -  | -  | F8h     |
| 5Dh  | R/W | TACH Target 3 High Byte | 4096 | 2048 | 1024 | 512 | 256 | 128 | 64 | 32 | FFh     |
| 6Ch  | R   | TACH Target 4 Low Byte  | 16   | 8    | 4    | 2   | 1   | -   | -  | -  | F8h     |
| 6Dh  | R/W | TACH Target 4 High Byte | 4096 | 2048 | 1024 | 512 | 256 | 128 | 64 | 32 | FFh     |
| 7Ch  | R   | TACH Target 5 Low Byte  | 16   | 8    | 4    | 2   | 1   | -   | -  | -  | F8h     |
| 7Dh  | R/W | TACH Target 5 High Byte | 4096 | 2048 | 1024 | 512 | 256 | 128 | 64 | 32 | FFh     |

The TACH Target Registers hold the target tachometer value that is maintained by the RPM-based Fan Speed Control Algorithm.

The value in the TACH Target Registers will always reflect the current TACH Target value.

If one of the algorithms is enabled, setting the TACH Target Register to FFh will disable the fan driver (set the fan drive setting to 0%). Setting the TACH Target to any other value (from a setting of FFh) will cause the algorithm to invoke the Spin Up Routine after which it will function normally.

The Tach Target is not applied until the high byte is written. Once the high byte is written, the current value of both high and low bytes will be used as the next Tach target.

## 5.18 TACH Reading Registers

Table 5.28 TACH Reading Registers

| ADDR | R/W | REGISTER               | B7   | B6   | B5   | B4  | B3  | B2  | B1 | B0 | DEFAULT |
|------|-----|------------------------|------|------|------|-----|-----|-----|----|----|---------|
| 3Eh  | R   | Fan 1 TACH             | 4096 | 2048 | 1024 | 512 | 256 | 128 | 64 | 32 | FFh     |
| 3Fh  | R   | Fan 1 TACH<br>Low Byte | 16   | 8    | 4    | 2   | 1   | -   | -  | -  | F8h     |
| 4Eh  | R   | Fan 2 TACH             | 4096 | 2048 | 1024 | 512 | 256 | 128 | 64 | 32 | FFh     |
| 4Fh  | R   | Fan 2 TACH<br>Low Byte | 16   | 8    | 4    | 2   | 1   | -   | -  | -  | F8h     |
| 5Eh  | R   | Fan 3 TACH             | 4096 | 2048 | 1024 | 512 | 256 | 128 | 64 | 32 | FFh     |
| 5Fh  | R   | Fan 3 TACH<br>Low Byte | 16   | 8    | 4    | 2   | 1   | -   | -  | -  | F8h     |
| 6Eh  | R   | Fan 4 TACH             | 4096 | 2048 | 1024 | 512 | 256 | 128 | 64 | 32 | FFh     |
| 6Fh  | R   | Fan 4 TACH<br>Low Byte | 16   | 8    | 4    | 2   | 1   | -   | -  | -  | F8h     |
| 7Eh  | R   | Fan 5 TACH             | 4096 | 2048 | 1024 | 512 | 256 | 128 | 64 | 32 | FFh     |
| 7Fh  | R   | Fan 5 TACH<br>Low Byte | 16   | 8    | 4    | 2   | 1   | -   | -  | -  | F8h     |

The TACH Reading Registers' contents describe the current tachometer reading for each of the fans. By default, the data represents the fan speed as the number of 32kHz clock periods that occur for a single revolution of the fan.

[Equation \[2\]](#) shows the detailed conversion from TACH measurement (COUNT) to RPM while [Equation \[3\]](#) shows the simplified translation of TACH Reading Register count to RPM assuming a 2-pole fan, measuring 5 edges, with a frequency of 32.768kHz. These equations are solved and tabulated for ease of use in [AN17.4 RPM to TACH Counts Conversion](#).

Whenever the high byte register is read, the corresponding low byte data will be loaded to internal shadow registers so that when the low byte is read, the data will always coincide with the previously read high byte.

where:

$$RPM = \frac{1}{(\text{poles})} \times \frac{(n-1)}{COUNT \times \frac{1}{m}} \times f_{TACH} \times 60$$

poles = number of poles of the fan  
(typically 2)

$f_{TACH}$  = the tachometer  
measurement frequency (typically  
32.768kHz) [2]

n = number of edges measured  
(typically 5 for a 2 pole fan)

m = the multiplier defined by the  
RANGE bits

$$RPM = \frac{3,932,160 \times m}{COUNT}$$

COUNT = TACH Reading Register  
value (in decimal) [3]

## 5.19 Software Lock Register

Table 5.29 Software Lock Register

| ADDR | R/W | REGISTER      | B7 | B6 | B5 | B4 | B3 | B2 | B1 | B0   | DEFAULT |
|------|-----|---------------|----|----|----|----|----|----|----|------|---------|
| EFh  | R/W | Software Lock | -  | -  | -  | -  | -  | -  | -  | LOCK | 00h     |

The Software Lock Register controls the software locking of critical registers. This register is software locked.

Bit 0 - LOCK - this bit acts on all registers that are designated SWL. When this bit is set, the locked registers become read only and cannot be updated.

- '0' (default) - all SWL registers can be updated normally.
- '1' - all SWL registers cannot be updated and a hard-reset is required to unlock them.

## 5.20 Product Features Register

Table 5.30 Product Features Register

| ADDRESS | R/W | REGISTER         | B7 | B6 | B5       | B4 | B3            | B2 | B1 | B0 | DEFAULT |
|---------|-----|------------------|----|----|----------|----|---------------|----|----|----|---------|
| FCh     | R   | Product Features | -  | -  | ADR[2:0] |    | FAN_SPD [2:0] |    |    |    | 00h     |

The Product Features register shows those functions that are enabled by external pin states.

Bits 5-3 - ADR[2:0] - Indicates the selected SMBus address as determined by the ADDR\_SEL pin.



Table 5.31 ADDR\_SEL Pin Configuration

| ADR[2:0] |   |   | SLAVE ADDRESS |
|----------|---|---|---------------|
| 2        | 1 | 0 |               |
| 0        | 0 | 0 | 0101_110(r/w) |
| 0        | 0 | 1 | 0101_111(r/w) |
| 0        | 1 | 0 | 0101_100(r/w) |
| 0        | 1 | 1 | 0101_101(r/w) |
| 1        | 0 | 0 | 1001_100(r/w) |
| 1        | 0 | 1 | 1001_101(r/w) |

Bits 2-0 - FAN\_SPD[2:0] - Indicates the selected fan speed if the CLK pin pull-up decode is enabled via the ADDR\_SEL pin.

Table 5.32 FAN\_SPD Pin Configuration

| FAN_SPD [2:0] |   |   | FAN SPEED  |
|---------------|---|---|------------|
| 2             | 1 | 0 |            |
| 0             | 0 | 0 | 0% Drive   |
| 0             | 0 | 1 | 30% Drive  |
| 0             | 1 | 0 | 50% Drive  |
| 0             | 1 | 1 | 75% Drive  |
| 1             | 0 | 0 | 100% Drive |

## 5.21 Product ID Register

Table 5.33 Product ID Register

| ADDR | R/W | REGISTER   | B7 | B6 | B5 | B4 | B3 | B2 | B1 | B0 | DEFAULT |
|------|-----|------------|----|----|----|----|----|----|----|----|---------|
| FDh  | R   | Product ID | 0  | 0  | 1  | 1  | 0  | 1  | 0  | 0  | 34h     |

The Product ID Register contains a unique 8-bit word that identifies the product.

## 5.22 Manufacturer ID Register

**Table 5.34 Manufacturer ID Register**

| ADDR | R/W | REGISTER        | B7 | B6 | B5 | B4 | B3 | B2 | B1 | B0 | DEFAULT |
|------|-----|-----------------|----|----|----|----|----|----|----|----|---------|
| FEh  | R   | Manufacturer ID | 0  | 1  | 0  | 1  | 1  | 1  | 0  | 1  | 5Dh     |

The Manufacturer ID Register contains an 8-bit word that identifies SMSC.

## 5.23 Revision Register

**Table 5.35 Revision Register**

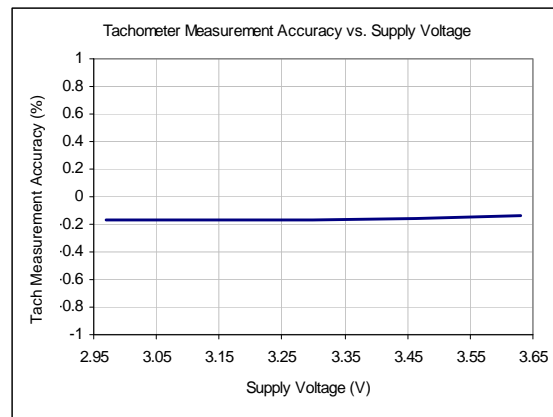
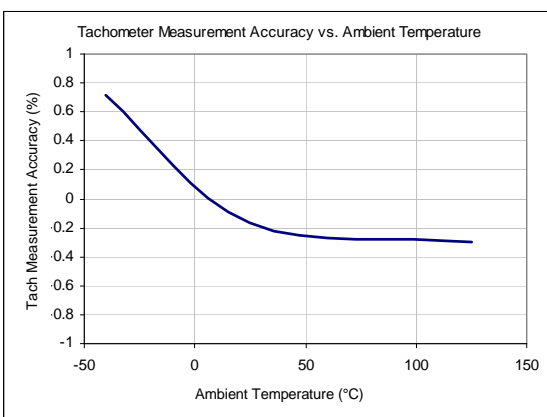
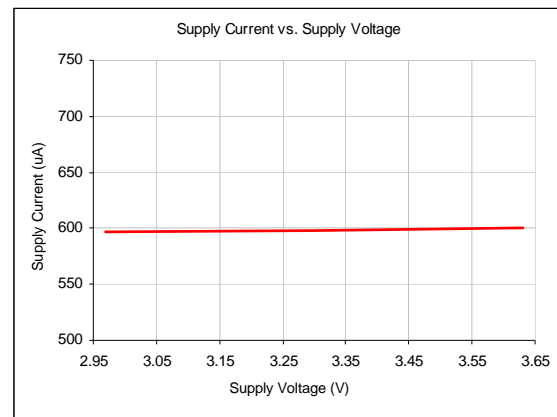
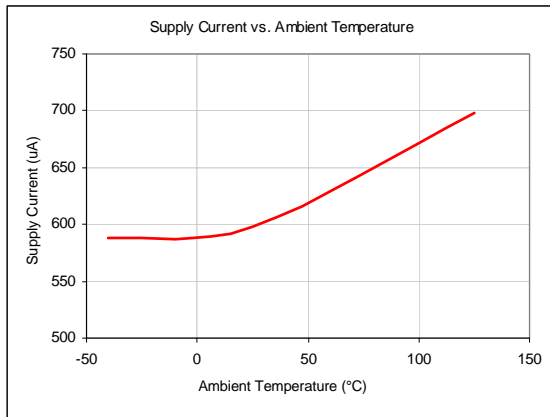
| ADDR | R/W | REGISTER | B7 | B6 | B5 | B4 | B3 | B2 | B1 | B0 | DEFAULT |
|------|-----|----------|----|----|----|----|----|----|----|----|---------|
| FFh  | R   | Revision | 1  | 0  | 0  | 0  | 0  | 0  | 0  | 0  | 80h     |

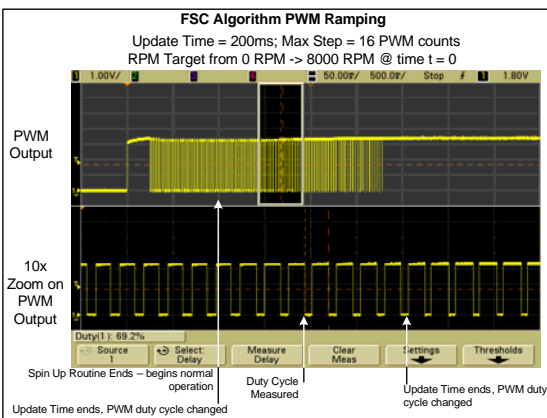
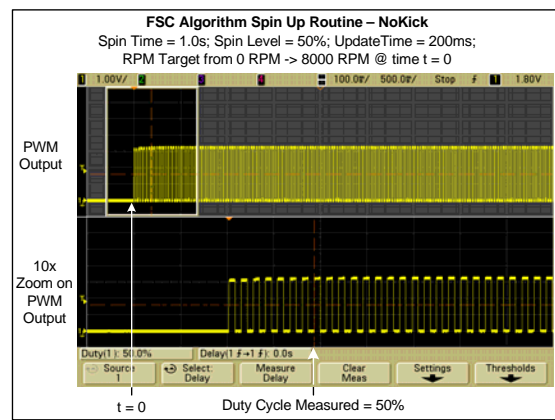
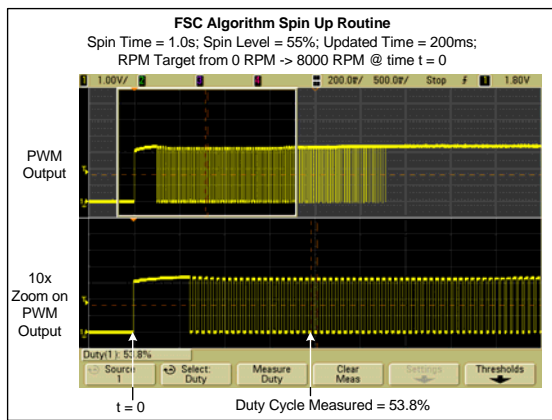
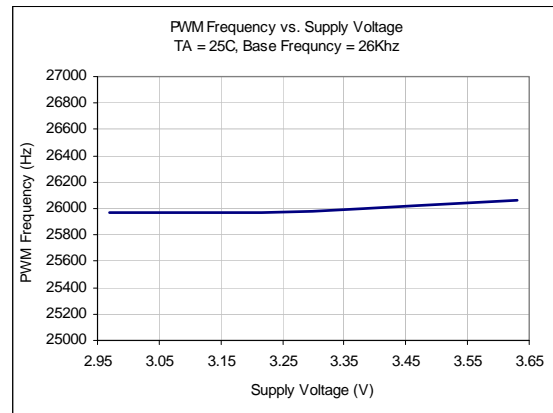
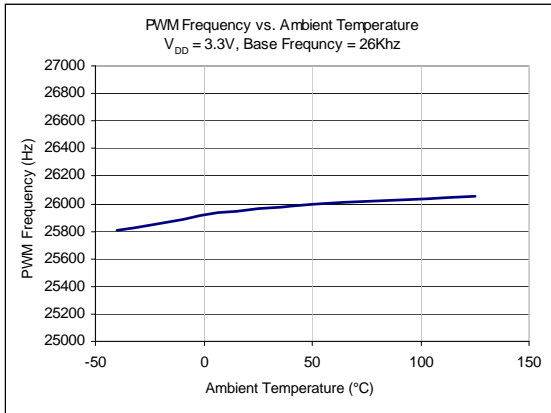
The Revision Register contains an 8-bit word that identifies the die revision.

## Chapter 6 Typical Operating Curves

The following Typical Operating Curves are included.

- Supply Current vs. Temperature
- Supply Current vs. Supply Voltage
- Fan TACH Accuracy vs. Temperature
- Fan TACH Accuracy vs. Supply Voltage
- PWM output frequency vs. Supply Voltage
- PWM output frequency vs. Temperature
- FSC Operation





## Chapter 7 Package Drawing

### 7.1 EMC2305 Package Information

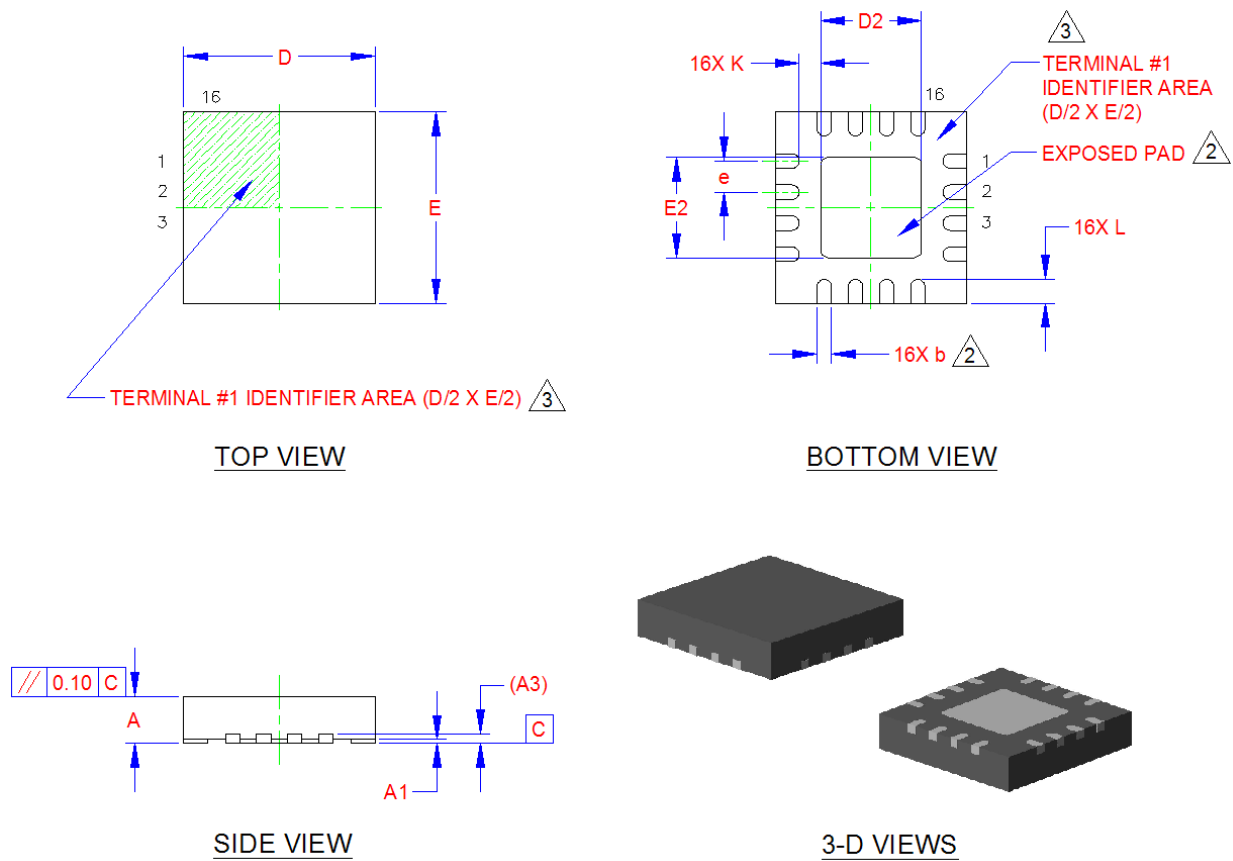
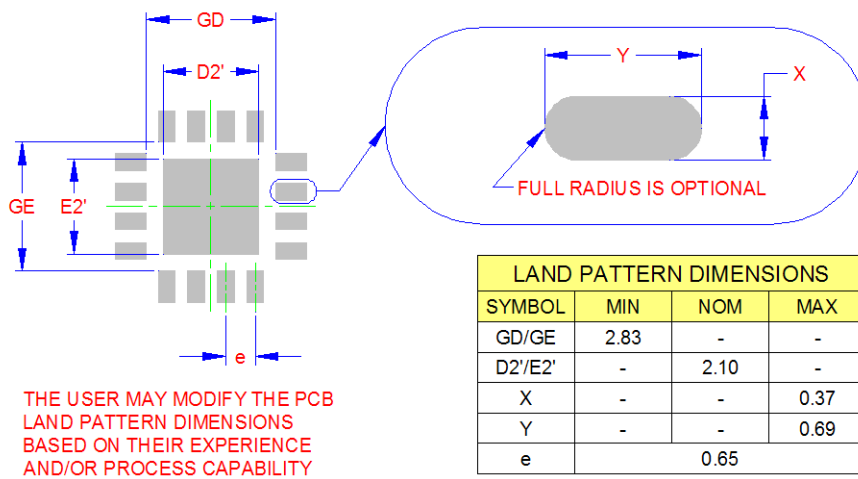


Figure 7.1 Package Drawing - 16-Pin QFN 4mm x 4mm

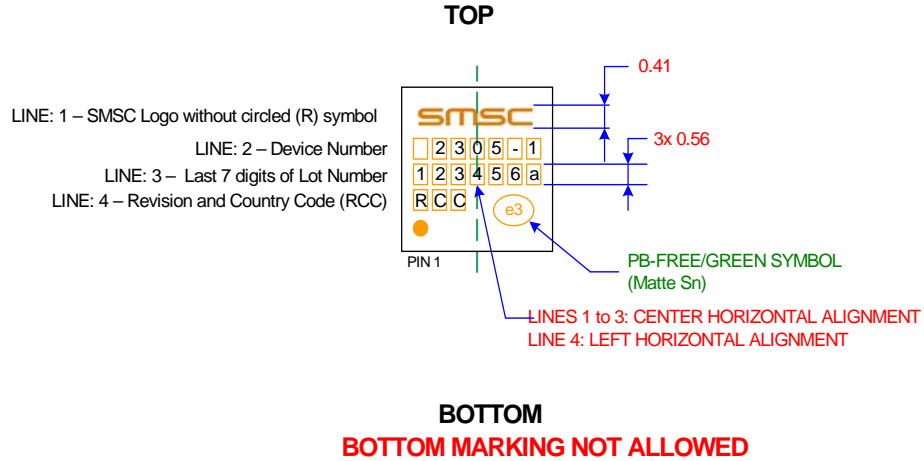
| COMMON DIMENSIONS |          |      |      |      |                          |
|-------------------|----------|------|------|------|--------------------------|
| SYMBOL            | MIN      | NOM  | MAX  | NOTE | REMARK                   |
| A                 | 0.80     | 0.85 | 0.90 | -    | OVERALL PACKAGE HEIGHT   |
| A1                | 0        | 0.02 | 0.05 | -    | STANDOFF                 |
| A3                | 0.20 REF |      |      | -    | LEAD-FRAME THICKNESS     |
| D/E               | 3.90     | 4.00 | 4.10 | -    | X/Y BODY SIZE            |
| D2/E2             | 2.00     | 2.10 | 2.20 | 2    | X/Y EXPOSED PAD SIZE     |
| L                 | 0.45     | 0.50 | 0.55 | -    | TERMINAL LENGTH          |
| b                 | 0.25     | 0.30 | 0.35 | 2    | TERMINAL WIDTH           |
| K                 | 0.20     | -    | -    | -    | TERMINAL TO PAD DISTANCE |
| e                 | 0.65 BSC |      |      | -    | TERMINAL PITCH           |

**NOTES:**

1. ALL DIMENSIONS ARE IN MILLIMETERS.
2. POSITION TOLERANCE OF EACH TERMINAL AND EXPOSED PAD IS  $\pm 0.05\text{mm}$  AT MAXIMUM MATERIAL CONDITION. DIMENSIONS "b" APPLIES TO PLATED TERMINALS AND IT IS MEASURED BETWEEN 0.15 AND 0.30 mm FROM THE TERMINAL TIP.
3. DETAILS OF TERMINAL #1 IDENTIFIER ARE OPTIONAL BUT MUST BE LOCATED WITHIN THE AREA INDICATED.

**Figure 7.2 Package Dimensions - 16-Pin QFN 4mm x 4mm**

RECOMMENDED PCB LAND PATTERN
**Figure 7.3 PCB Footprint - 16-Pin QFN 4mm x 4mm**

## 7.2 Package Markings



**Figure 7.4 EMC2305 Package Markings**

## Chapter 8 Datasheet Revision History

**Table 8.1 Customer Revision History**

| REVISION LEVEL & DATE | SECTION/FIGURE/ENTRY   | CORRECTION   |
|-----------------------|--|--|
| Rev. 1.3 (05-18-11)   | <a href="#">Section 4.8, "Watchdog Timer"</a>                | The ALERT# pin is asserted when the watchdog is triggered.   |
|                       | <a href="#">Section 5.2, "Configuration Register"</a>        | Corrected description for MASK bit. Changed "If any bit in either status register is set, the ALERT# pins will be asserted (unless individually masked via the Mask Register)" to "If any bit in the status registers is set, the ALERT# pin will be asserted (unless individually masked via the Fan Interrupt Enable Register)". |
| Rev. 1.2 (03-22-10)   | <a href="#">Table 2.3, "SMBus Electrical Specifications"</a> | Updated SMBus Data Hold Time spec to 0 us  |
| Rev. 1.1 (10-12-09)   | <a href="#">Table 2.2, "Electrical Specifications"</a>       | Tachometer Setting Accuracy max was changed from +/-3% to +/-2%.   |
|                       | <a href="#">Chapter 6, Typical Operating Curves</a>          | Added typical operating curves   |
| Rev. 1.0 (05-15-09)   | Initial release of datasheet                                 |  |