

Technical Information

Micropilot S FMR540

Level-Radar

Level transmitter for continuous and non-contact precision level measurement

For custody transfer and inventory control applications with NMI- and PTB-approvals.



Application

The Micropilot S is used for highly accurate level measurement in storage tanks and can be applied in custody transfer applications. It meets the relevant requirements according to OIML R85 and API 3.1B.

Typical areas of application are:

- The Micropilot S with parabolic antenna is excellently suited for free space applications up to 40 m (131 ft).
- The Micropilot S with horn antenna is suitable for free space applications that disallow the use of a parabolic antenna due to tank/nozzle geometry.

The FMR540 with a DN200 (8") or DN250 (10") parabolic antenna offers high beam focussing of 4.4° or 3.3° respectively, and is therefore ideally suited to applications with nozzles situated close to the tank wall. The FMR540 with DN100 (4") horn antenna is designed for all small nozzle sizes.

Your benefits

- Accuracy: better than 1 mm (0.04 in).
- National approvals (NMI, PTB) for custody transfer.
- Easy integration into tank gauging systems via the Tank Side Monitor NRF590.
- Low-cost, easy installation via 4-wire cable with HART and 24 V DC (intrinsically safe).
- Low cost, low weight universal flanges.
- Alignment device to compensate any flange inclination.
- Easy on-site operation via menu-driven alphanumeric display.
- Easy commissioning, documentation and maintenance/diagnostics via operating software (FieldCare).
- HART communication.





Table of contents

Document information	4	Integrated air purge connection	22
Document conventions	4		
Function and system design	5	Environment	23
Measuring principle	5	Ambient temperature range	23
Equipment architecture	7	Storage temperature	23
Custody transfer applications	8	Climate class	23
Integrated in tank gauging system	8	Degree of protection	23
		Vibration resistance	23
		Cleaning of the antenna	23
		Electromagnetic compatibility (EMC)	23
		Approvals for custody transfer applications	23
Input	9		
Measured variable	9	Process	23
Measuring range	9	Process temperature range	23
Operating frequency	10	Process pressure limits	23
		Alignment device	23
Output	10		
Output signal	10	Mechanical construction	24
Signal on alarm	10	Design, dimensions	24
Load HART	10	Weight	25
Linearization	10	Materials	26
Galvanic isolation	10	Type plate for custody transfer applications	28
Protocol specific data	10	Endress+Hauser UNI flange	30
Power supply	11	Operability	32
Terminal assignment	11	Operation concept	32
Supply voltage	12	Local operation	32
Power consumption	12	Remote configuration	33
Current consumption	12	Display elements	35
Electrical connection	13	Operating elements	36
Cable entry	13		
Residual ripple HART	13	Certificates and approvals	37
Max noise HART	13	CE approval	37
Overvoltage protection	13	C-Tick symbol	37
Power supply	13	Ex approval	37
Highly accurate measurement	13	Overfill prevention	37
		RF approvals	37
		CRN approvals	37
		Approvals for custody transfer applications	37
		External standards and guidelines	37
Performance characteristics	14		
Reference operating conditions	14	Ordering information	38
Maximum measured error	14	Ordering information	38
Resolution	14	Scope of delivery	38
Settling time	14		
Hysteresis	14	Accessories	39
Non-repeatability	14	Device-specific accessories	39
Reaction time	14	Communication-specific accessories	40
Long-term drift	14	Service-specific accessories	40
Influence of ambient temperature	14		
Proof of accuracy of custody transfer versions	14	Documentation	41
Maximum fill speed	14	Standard documentation	41
Software reliability	14	Supplementary device-dependent documentation	41
Inventory control versions	15	Safety Instructions	41
		Patents	41
Installation	16		
Installation conditions	16		
Installation instructions	16		
Measuring conditions	17		
Installation on tank	18		
Alignment device	20		
Beam angle	21		







Document information

Document conventions






Safety symbols




Symbols	Meaning
 A0011189-EN	DANGER! This symbol alerts you to a dangerous situation. Failure to avoid this situation will result in serious or fatal injury.
 A0011190-EN	WARNING! This symbol alerts you to a dangerous situation. Failure to avoid this situation can result in serious or fatal injury.
 A0011191-EN	CAUTION! This symbol alerts you to a dangerous situation. Failure to avoid this situation can result in minor or medium injury.
 A0011192-EN	NOTICE! This symbol contains information on procedures and other facts which do not result in personal injury.

Electrical symbols



Symbols	Meaning
 A0018335	Direct current A terminal at which DC voltage is present or through which direct current flows.
 A0018336	Alternating current A terminal at which AC voltage is present or through which alternating current flows.
 A0018337	Direct current and alternating current <ul style="list-style-type: none"> ▪ A terminal at which AC voltage or DC voltage is present. ▪ A terminal through which alternating current or direct current flows.
 A0018338	Ground connection A grounded terminal which, from the operator's point of view, is grounded via a grounding system.
 A0018339	Protective ground connection A terminal that must be connected to ground before establishing other connections.
 A0011201	Equipotential connection A connection that must be made with the plant grounding system. This could, for example, be a potential matching line or a star-shaped grounding system, depending on national or company codes of practice.

Symbols for certain types of information

Symbols	Meaning
 A0011182	Allowed Indicates procedures, processes or actions that are allowed.
 A0011183	Preferred Indicates procedures, processes or actions that are preferred.
 A0011184	Forbidden Indicates procedures, processes or actions that are forbidden.
 A0011193	Tip Indicates additional information.
 A0015483	Reference to documentation Refers to the relevant device documentation.

 <small>A0015484</small>	Reference to page Refers to the relevant page number.
 <small>A0015486</small>	Reference to diagrams Refers to the relevant graphic number and page number.
1. , 2. , ...	Series of steps
 <small>A0015488</small>	Help in the event of a problem

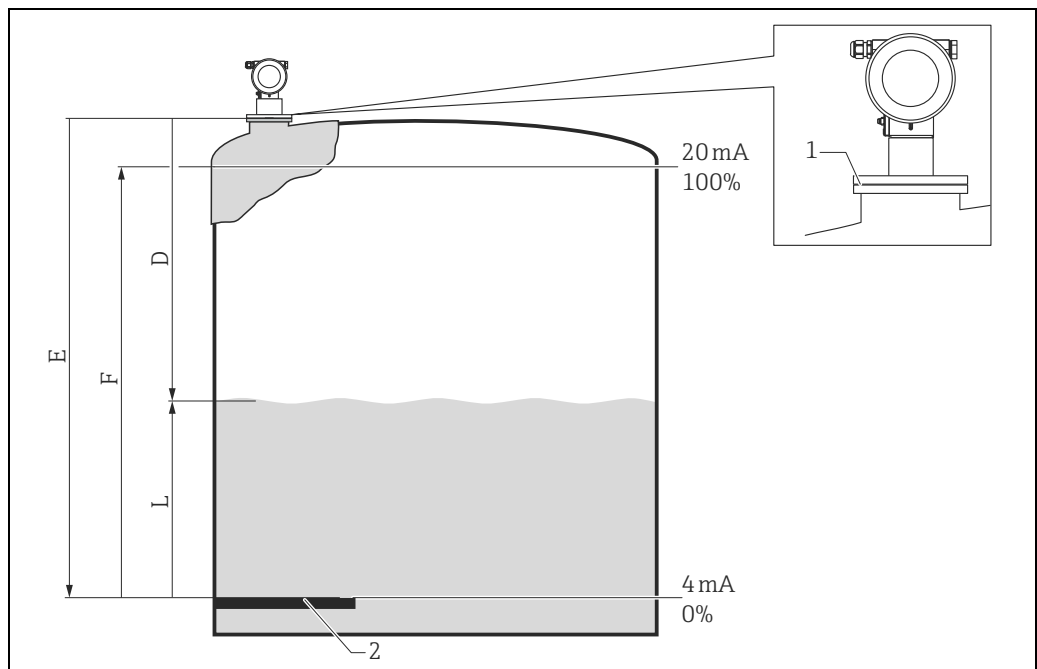
Symbols in graphics

Symbols	Meaning
1, 2, 3, 4, ...	Numbering for main positions
1. , 2. , ...	Series of steps
A, B, C, D, ...	Views
A-A, B-B, ...	Sections
 <small>A0011187</small>	Hazardous area Indicates a hazardous area.
 <small>A0011188</small>	Safe area (non-hazardous area) Indicates a non-hazardous area.

Function and system design

Measuring principle

The Micropilot is a "downward-looking" measuring system, operating based on the time-of-flight method. It measures the distance from the reference point (process connection) to the product surface. Radar impulses are emitted by an antenna, reflected off the product surface and received again by the radar system.



- 1 GRH reference point of measurement (bottom edge of flange or threaded connection)
- 2 Level zero point (gauge reference plate)

A0020712

<i>E</i>	<i>Empty calibration (= zero point)</i>
<i>F</i>	<i>Full calibration (= span)</i>
<i>D</i>	<i>Distance measured</i>
<i>L</i>	<i>Level ($L = E - D$)</i>

Input

The reflected radar impulses are received by the antenna and transmitted into the electronics. A microprocessor evaluates the signal and identifies the level echo caused by the reflection of the radar impulse at the product surface.

The unambiguous signal identification is accomplished by the PulseMaster® software, based on many years of experience with time-of-flight technology. The mm-accuracy of the Micropilot S could be achieved with the patented algorithms of the PulseMaster® software.

The distance "D" to the product surface is proportional to the time of flight "t" of the impulse:

$$D = c \cdot t / 2,$$

with "c" being the speed of light.

Based on the known empty distance "E", the level "L" is calculated:

$$L = E - D$$

Reference point for "E" is the lower surface of the process connection. For highly precise level measurements, it is of crucial importance to have a stable mounting position (GRH) of the radar gauge or to compensate for the effects of tank movements during filling and emptying cycles. This can be done by either using the dip chart integrated in the Micropilot S FMR53x/540 or by using the compensation methods integrated into the Tank Side Monitor NRF590. The stability of the reference point for the measurement (GRH) has a decisive influence on the accuracy of the measurement! The Micropilot is equipped with functions to suppress interference echoes. The user can activate these functions. They ensure that interference echoes (e.g. from edges and weld seams) are not interpreted as level echo.

Output

The Micropilot is commissioned by entering an empty distance "E" (= zero), a full distance "F" (= span) and an application parameter. The application parameter automatically adapts the device to the process conditions. The data points "E" and "F" correspond with 4 mA and 20 mA for devices with current output. They correspond with 0 % and 100 % for digital outputs and the display module. For inventory control or custody transfer applications, the measurement should always be transferred via digital communication (HART).

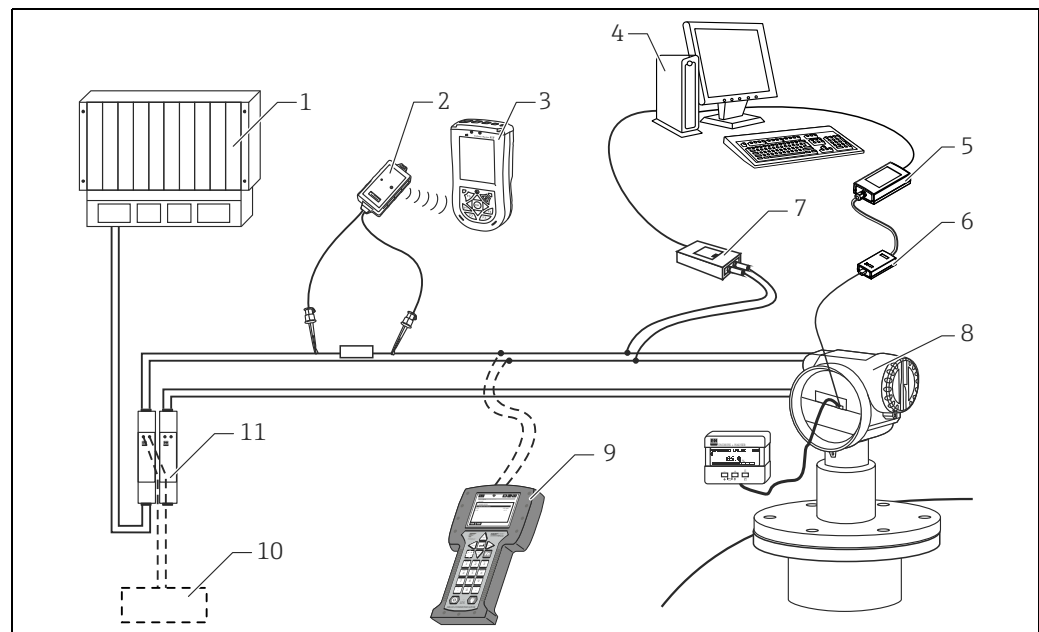
A linearization with max. 32 points, based on a table entered either manually or semi-automatically, can be activated locally or remotely. This function allows, for example, measurement in engineering units and provides a linear output signal for spherical and horizontal cylindrical tanks, or tanks with a conical outlet.

Equipment architecture

Stand-alone

The device has a 4-20 mA output with HART protocol.

The complete measuring system consists of:



- 1 PLC (programmable logic controller)
- 2 VIATOR Bluetooth modem with connecting cable
- 3 Field Xpert
- 4 Computer with operating tool (e.g. FieldCare)
- 5 Commubox FXA291
- 6 ToF adapter FXA291
- 7 Commubox FXA195 (USB)
- 8 Micropilot with display module
- 9 Field Communicator 475
- 10 FXA195 or Field Communicator 475
- 11 Transmitter power supply unit RN221N (with communication resistor)

Local configuration

- with display and operating module VU331,
- with a Personal Computer, FXA291 with ToF Adapter FXA291 (USB) and the operating software "FieldCare". FieldCare is a graphical operating software for devices from Endress+Hauser (radar, ultrasonic, guided micro-impulse). It assists with commissioning, securing data, signal analysis and documentation of the measuring point.

Remote configuration

- with Field Communicator 475
- with Field Xpert
- with a personal computer, Commubox FXA195 and "FieldCare" operating software

Remote operation

With a Personal Computer, NRF590 (Tank Side Monitor) and the inventory management software.

Integration into the Asset Management System

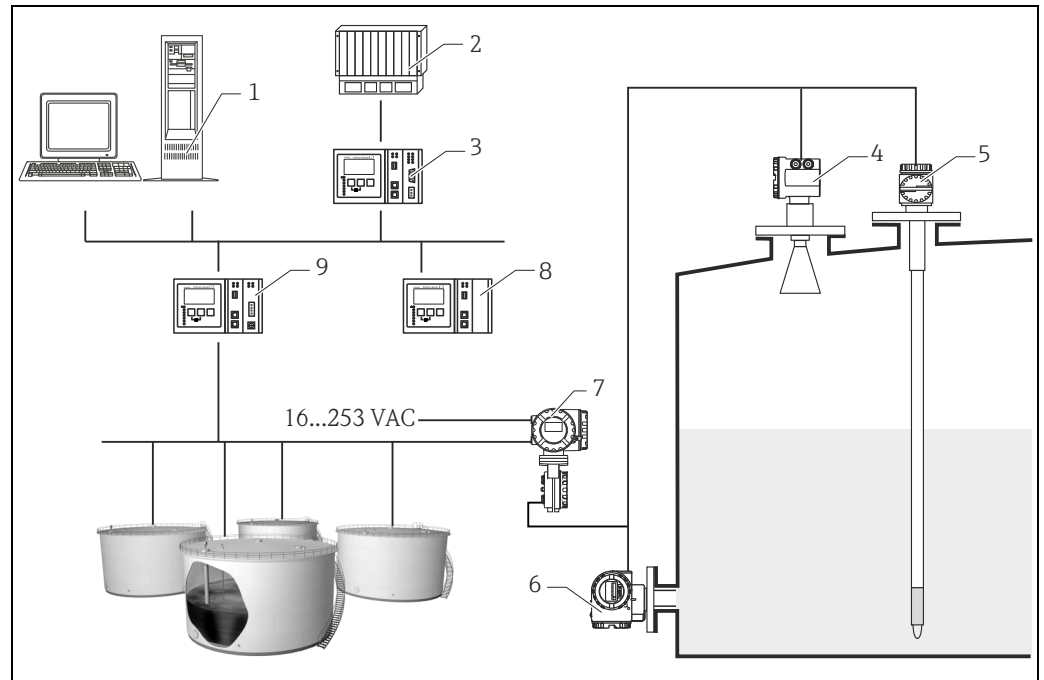
The HART interface allows the integration into the AMS® (Asset Management System) from Emerson.

Custody transfer applications

The Micropilot S is suitable for custody transfer and inventory control applications. The on-site testing has to be done in compliance with the applicable regulatory standards. The Micropilot S can be sealed after successful on-site calibration to be protected against any access to the electronics compartment and any changes of software settings. If the Micropilot S is used for custody transfer or inventory control, any temperature influence on the tank shell height can be compensated for using the Tank Side Monitor. In addition, the vertical movement of the gauge reference point due to the hydrostatic tank deformation can be compensated in the Tank Side Monitor. A Tank Side Monitor can provide 24 V DC for a Micropilot S. The Tank Side Monitor can communicate with up to 6 devices via HART Multidrop.

Integrated in tank gauging system

The Endress+Hauser Tank Side Monitor NRF590 provides integrated communications for sites with multiple tanks, each with one or more sensors on the tank, such as radar, spot or average temperature, capacitive probe for water detection and/or pressure sensors. Multiple protocols out of the Tank Side Monitor guarantee connectivity to nearly any of the existing industry standard tank gauging protocols. Optional connectivity for 4-20 mA sensors, digital I/O and analog outputs facilitate full integration of all sensors at the tank. Use of the proven concept of the intrinsically safe HART bus for all on-tank sensors yields extremely low wiring costs, while at the same time providing maximum safety, reliability and data availability.



A0020697

- 1 Tankvision workstation
- 2 Process control system
- 3 Host Link
- 4 Micropilot S
- 5 Prothermo
- 6 Pressure transmitter
- 7 Tank Side Monitor
- 8 Data Concentrator
- 9 Tankvision Tank Scanner NXA820

Input

Measured variable

The measured variable is the distance between the reference point (GRH, refer to fig., → 4) and a reflective surface (i.e. medium surface). The measured value as well as all parameters can be displayed in either metrical SI units or US/UK units (inch, ft, ...).

The level is calculated based on the tank height entered. The level can be converted into other units (volume, mass) by means of a linearization. To compensate for non-linear effects such as movement of the tank roof, a correction table (dip chart) can also be entered.

Measuring range

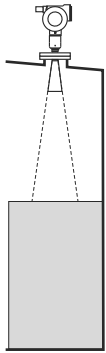
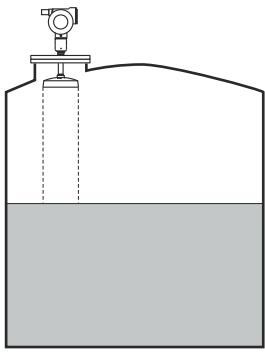
The usable measuring range depends on the size of the antenna, the reflectivity of the medium, the mounting location and possible interference reflections.

To achieve an optimised signal strength it is recommended to use an antenna with as large as possible diameter (DN200 (8") or DN250 (10") parabolic antenna).

The following tables describe the groups of media as well as the achievable measuring range as a function of application and media group. If the dielectric constant of the medium is unknown, we recommend that you assume media group **B**, in order to ensure a reliable measurement.

Media group	DC (ϵ_r)	Examples
A1	1.4 to 1.6	propane, butane
A2	1.6 to 1.9	Non-conducting liquids, e.g. liquefied gas (LPG). For more information, please contact your Endress+Hauser sales center.
B	1.9 to 4	Non-conducting liquids, e.g. gasoline, oil, toluene, white products, crude oil, bitumen, asphalt ...
C	4...10	e.g. concentrated acids, organic solvents, esters, aniline, alcohol, acetone, ...
D	> 10	Conducting liquids, e.g. aqueous solutions, diluted acids and alkalies

Measuring range depending on sensor type and media group

Media group		Horn antenna without sensor extension	Parabolic antenna without sensor extension
		 A0020821	 A0020822
		Measuring range¹⁾	Measuring range¹⁾
A1	DC (ϵ_r) = 1.4 to 1.6	Please contact your Endress+Hauser sales center.	
A2	DC (ϵ_r) = 1.6 to 1.9	0.6 to 20 m (2 to 66 ft)	0.6 to 40 m (2 to 131 ft)
B	DC (ϵ_r) = 1.9 to 4		
C	DC (ϵ_r) = 4 to 10		
D	DC (ϵ_r) > 10	0.6 to 30 m (2 to 98 ft)	
Max. measuring range with custody transfer approval		NMi: 23 m (75 ft) PTB: 23 (75 ft)	NMi: 26 m (85 ft) PTB: 30 m (98 ft)

1) All values are based on reference conditions.



For stilling well applications Micropilot S FMR532 is recommended (see TI01122F/00/EN).

Operating frequency	K band (~ 26 GHz) Up to 8 Micropilot devices can be installed in the same tank, as the transmitter pulses are statistically coded.
----------------------------	---

Output

Output signal	4-20 mA (invertible) with HART protocol (e.g. for multi-drop connection to Tank Side Monitor NRF590): This version can be operated using the PC and the operating software FieldCare. The device supports both point-to-point and multidrop operation. For measurements with mm precision, the measured value must be transmitted via HART protocol to ensure the necessary resolution. Order code in Product Configurator under "Output; Operation" signal: Version A (4-line display VU331, envelope curve display on site)
----------------------	--

Signal on alarm	Error information can be accessed via the following interfaces: <ul style="list-style-type: none"> ■ Local display: <ul style="list-style-type: none"> - Error symbol - Plain text display - LED's: red LED continuously on = alarm, red LED flashes = warning ■ Current output ■ Digital interface
------------------------	--

Load HART	Minimum load for HART communication: 250 Ω
------------------	--

Linearization	The linearization function of the Micropilot S allows the conversion of the measured value into any unit of length or volume. Linearization tables for calculating the volume in cylindrical tanks are pre-programmed. Other tables of up to 32 value pairs can be entered manually or semi-automatically.
----------------------	--

Galvanic isolation	500 V towards <ul style="list-style-type: none"> ■ power supply and ground ■ power supply and signal
---------------------------	--

Protocol specific data

HART

Manufacturer ID	000011 hex
Device Type Code	001F hex
Transmitter-specific revision	01 hex
Device Revision	1 (for SW 01.01.00) 2 (for SW 01.01.02)
Features supported	<ul style="list-style-type: none"> ■ Burst mode ■ Additional Transmitter Status
DD-Files	Actual information and files can be found: <ul style="list-style-type: none"> ■ www.endress.com ■ www.hartcomm.org
Load HART	Min. 250 Ω
Device variables	Primary value: level or volume ¹⁾

1) depending on configuration

Power supply

Terminal assignment

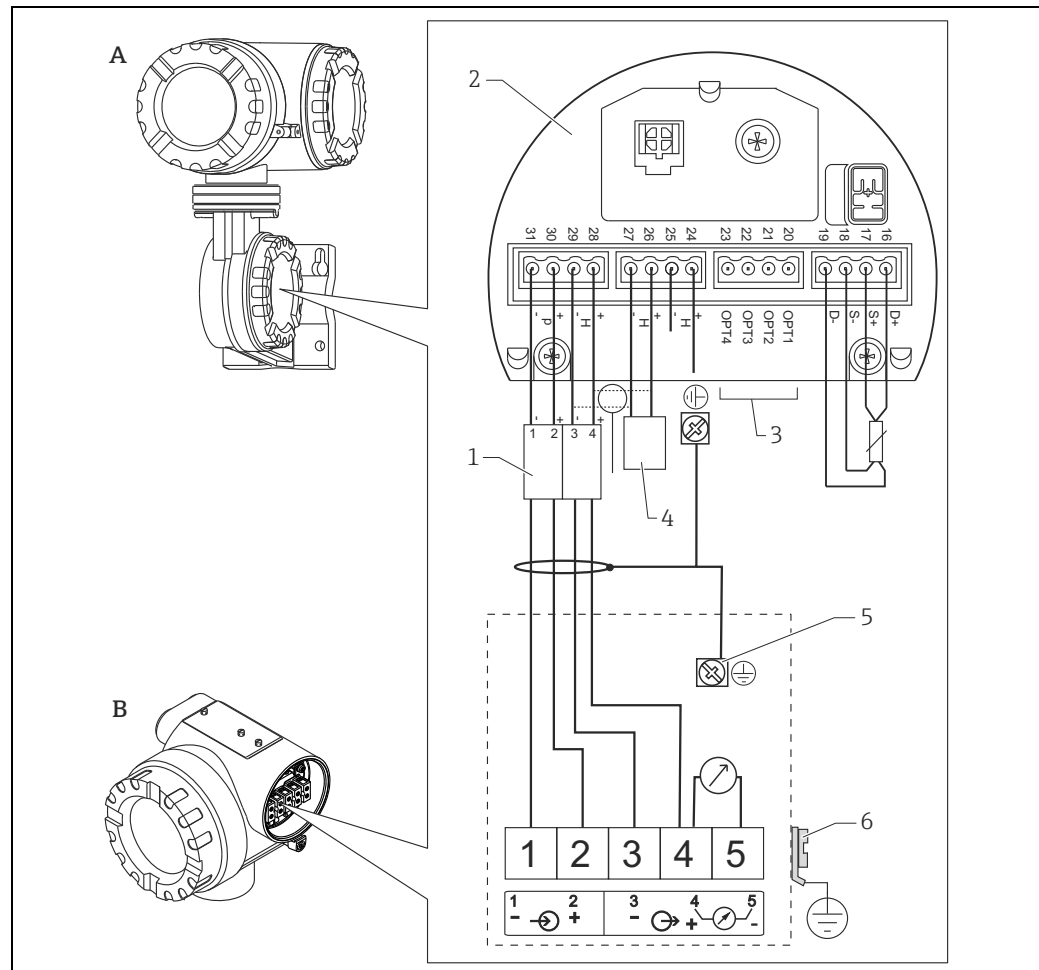
4-20 mA with HART

The 4-wire cable is connected to the screw terminals (wire diameters 0.5 to 2.5 mm² [20 to 14 AWG]) in the terminal compartment. Use 4-wire twisted pair cable with screen for the connection. Protective circuitry against reverse polarity, RFI, and over-voltage peaks is built into the device (TI00241F/00/EN, "basics for EMC-tests").

Connection to Tank Side Monitor NRF590

The Micropilot S may be connected, together with other devices in a hazardous area, to a Tank Side Monitor. In this case, it is recommended that the shielding on the cables be grounded centrally at the Tank Side Monitor and that all devices be connected to the same potential matching line (PML). If, for functional reasons, a capacitive coupling is required between the local ground and the shield (multiple grounding), ceramic capacitors with a minimum dielectric strength of 1500 Veff must be used. The overall capacity of 10 nF must not be exceeded in this case. The FISCO model provides information on grounding intrinsically safe, interconnected devices.

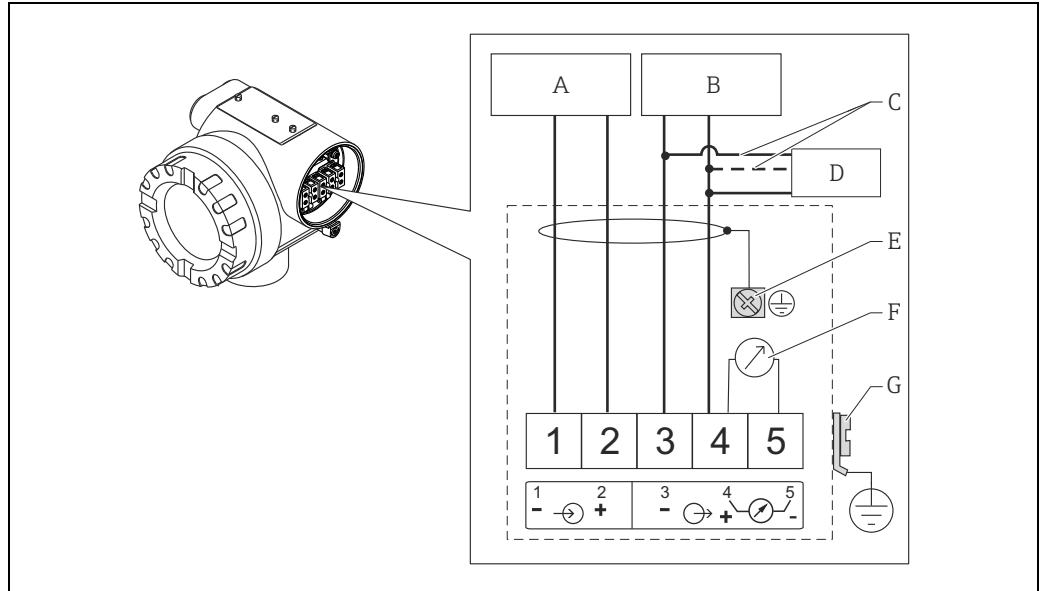
If it is not possible to lay a grounding cable between the NRF590 and the Micropilot S, it is possible to ground on one side at the NRF590. In this case, it is essential that the cable shield on the Micropilot S be grounded using a ceramic capacitor with a maximum capacitance of 10 nF and a minimum isolation voltage of 1500 V.



- A Tank Side Monitor NRF590
- B Micropilot S
- 1 For Micropilot S only
- 2 Intrinsically safe terminal strip
- 3 Shield, grounded on one side at Tank Side Monitor NRF590
- 4 HART sensor
- 5 Shielding cable
- 6 PML (potential matching line)

Connection as a stand-alone device

The Micropilot S located in a hazardous area is connected as a stand-alone device to a power supply unit and transmitter located outside the hazardous area. In this case, it is recommended that the shielding directly on the Micropilot be connected to the housing ground; the Micropilot S and the supply unit are connected to the same potential matching line (PML).



- A Power supply 24 VDC; provided by a supply unit
- B Signal 24 VDC; provided by a supply unit
- C Alternative connection
- D CommuBox FXA195, Field Communicator
- E Shielding cable
- F Test socket; Output current
- G PML (potential matching line)

A0020824

Supply voltage

DC voltage: see the following table

Communication		Terminal voltage	minimum	maximum
Power supply	Standard	U (20 mA) =	16 V	36 V
	Ex	U (20 mA) =	16 V	30 V
Signal	Ex	U (4 mA) =	11.5 V	30 V
		U (20 mA) =	11.5 V	30 V

Power consumption

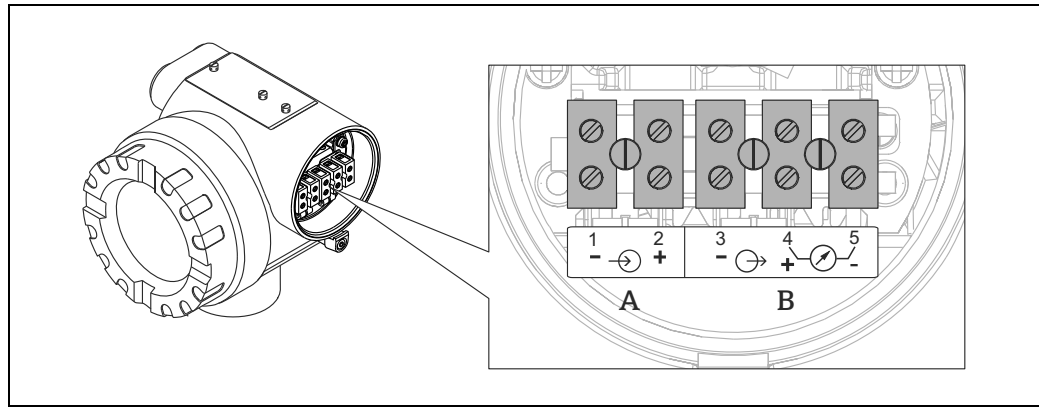
- max. 400 mW at 16 V
- max. 600 mW at 24 V
- max. 750 mW at 30 V
- Non-Ex: max. 900 mW at 36 V

Current consumption

Max. 25 mA (55 mA inrush current).

Electrical connection

The electronics and current output are galvanically isolated from the antenna circuit.



A Power supply
B Voltage

Cable entry

Designation	Version*
Thread M20	1
Cable gland M20	2
Thread for cable entry G ½"	3
Thread for cable entry NPT ½"	4

* Order code in Product Configurator (→ 37)

Residual ripple HART

47 to 125 Hz: $U_{pp} = 200 \text{ mV}$

Max noise HART

500 Hz to 10 kHz : $U_{eff} = 19 \text{ mV}$ (at 500 Ω)

Overvoltage protection

- The level transmitter Micropilot S is equipped with an internal overvoltage protector (600 Vrms surge arrester) according to EN/IEC 60079-14 or EN/IEC 60060-1 (impulse current test 8/20 s, $\hat{I} = 10 \text{ kA}$, 10 pulses). Additionally, the device is protected by a galvanic insulation of 500 Vrms between the power supply and the (HART) current output. Connect the metallic housing of the Micropilot S to the tank wall or shield directly using an electrically conductive lead to ensure reliable potential matching.
- Installation with additional overvoltage protection HAW560Z/HAW562Z (see XA00081F, "Safety instructions for electrical apparatus certified for use in explosion-hazardous areas").
 - Connect the external overvoltage protector and the Micropilot S transmitter to the local potential matching system.
 - Potentials shall be equalised both inside and outside the explosion hazardous area.
 - The length of the cable connecting the overvoltage protection and the Micropilot S level transmitter must not exceed 1 m (3.3 ft).
 - The cable must be protected e.g. routed through a metal tube.

Power supply

- As a stand-alone version, power supply for example via two RN221N from Endress+Hauser.
- Integrated in tank gauging systems via Endress+Hauser Tank Side Monitor NRF590 (recommended use).

Highly accurate measurement

For highly accurate measurements the measured variable must be transmitted using HART protocol to ensure the necessary resolution.

Performance characteristics



For accuracy data for devices suitable for custody transfer measurement in accordance with OIML R85, see Ambient temperature range. → [22](#).

Reference operating conditions	<p>According to OIML R85:</p> <ul style="list-style-type: none"> ■ Temperature = -25 °C to +55 °C (-13 °F to +131 °F) ■ Atmospheric pressure ■ Relative humidity (air) = 60 % ±15 % ■ Medium properties: e.g. medium with good reflectivity and calm surface. ■ Tank diameter: signal beam hits the tank wall only at one side. ■ No major interference reflections inside the signal beam.
Maximum measured error	<p>Absolute accuracy better than ±1 mm (0.04 in) (better than 1/16")</p> <p> The Micropilot S versions for free space applications have a typical accuracy of <1.0 mm (2 sigma value). Depending on national calibration regulations, the permitted errors after the device has been installed on the tank are ±3 mm (0.12 in), (OIML, API)...</p>
Resolution	Digital 0.1 mm / analogue: 0.03 % of measuring range
Settling time	Typical: 15 sec
Hysteresis	0.1 mm
Non-repeatability	0.1 mm
Reaction time	The reaction time depends on the parameter settings (min. 1 s). In case of fast level changes, the device needs the reaction time to indicate the new value.
Long-term drift	The long-term drift is within the specified accuracy.
Influence of ambient temperature	<p>Current output (additional error, in reference to the span of 16 mA):</p> <ul style="list-style-type: none"> ■ Zero point (4 mA) average T_K: 0.025 %/10 K, max. 0.291 % over the entire temperature range -40 °C to +80 °C (-40 °F to 176 °F) ■ Span (20 mA) average T_K: 0.07 %/10 K, max. 0.824 % over the entire temperature range -40 °C to +80 °C (-40 °F to 176 °F)
Proof of accuracy of custody transfer versions	The degree of accuracy is confirmed by a calibration certificate that records the absolute and relative error at 10 measuring points during the final test. A Laser Interferometer (Jenaer Messtechnik ZLM 500) with an absolute accuracy of 0.1 mm is used as a reference for free space measurements. In addition, certificates confirming initial verification are available on request for all radar devices in the FMR540 series.
Maximum fill speed	By the first pass trough of measuring range: 100 mm/min., thereafter unlimited.
Software reliability	<p>The software used in the radar devices FMR540 fulfills the requirements of OIML R85. This particularly includes:</p> <ul style="list-style-type: none"> ■ Cyclical testing of data consistency ■ Non-volatile memory ■ Segmented data storage <p>The radar devices Micropilot S continuously monitor the compliance with accuracy requirements for custody transfer measurements according to OIML R85. If the accuracy cannot be maintained, a specific alarm is generated on the local display and via the digital communication (→ 34).</p>

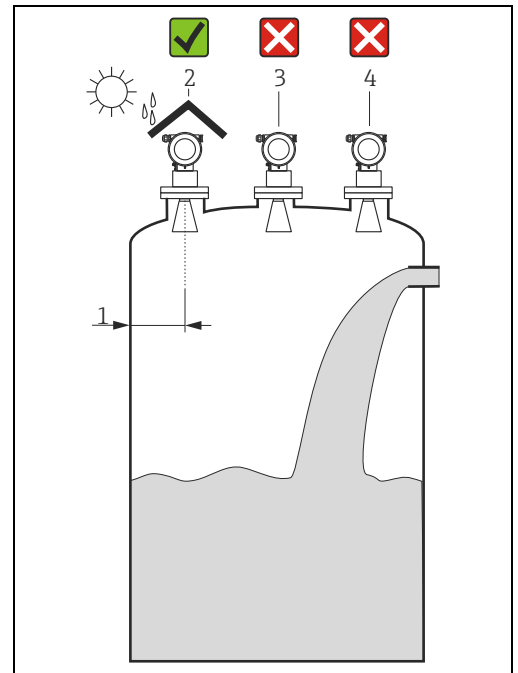
Inventory control versions

All device versions can be delivered as "Inventory Control" versions with reduced accuracy (3 mm [0.12 in]) under reference conditions. **No** calibration certificate or type approval is supplied with these versions. The "Inventory Control" versions are selected by specifying Version "R - Not selected; Inventory control version" in the Product Configurator under "Weight + measure approval".

Installation

Installation conditions

- Recommended distance (1) from tank wall to center of nozzle:
minimum as specified in table, "Beam angle",
→ 20.
- Not in the centre (3), interference can cause signal loss.
- Not above the fill stream (4).
- It is recommended to use a weather protection cover (2) in order to protect the transmitter from direct sun or rain.
Assembly and disassembly is simply done by means of a tension clamp ("Accessories",
→ 38).

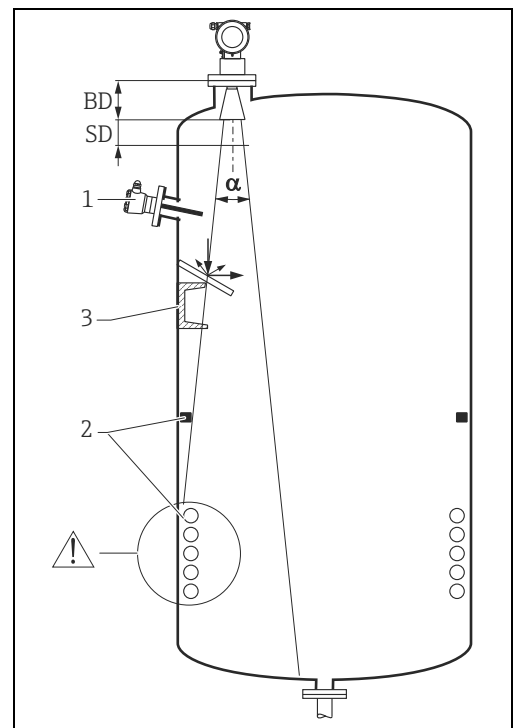


A0021541

Tank installations

- Avoid any installations (1), like limit switches, temperature sensors, etc., inside the signal beam ("Beam angle", → 20).
- It is essential that HiHi alarm is below the blocking distance (BD) and the safety distance (SD).
- Symmetrical installations (2), e.g. vacuum rings, heating coils, baffles, etc., can also interfere with the measurement.
- Metallic screens (3) mounted at an angle disperse the radar signals and can therefore reduce interference echoes.

For more information, please contact your Endress+Hauser sales center.



A0020826

Installation instructions

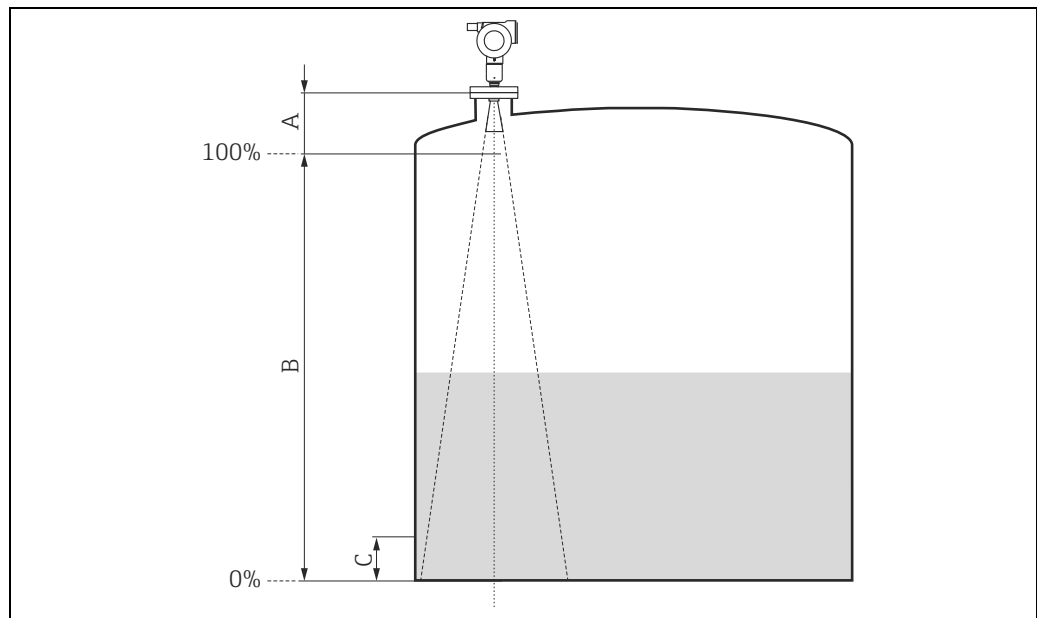
With a DN100 (4") **horn**, this antenna is suitable for free space applications up to a measuring distance of 20 m/30 m (66 ft/98 ft), (depending on dielectric constant). With the narrow beam angle (8 deg), this horn antenna is suitable for closer to tank wall application ("Beam angle", → 20). When installing, it is essential that the horn extends below the nozzle ("Installation on tank", → 17). If condensation occurs, try using the parabolic antenna, or contact your Endress+Hauser sales center. The **parabolic antenna** offers the smallest beam angle (3.3 deg) for free space applications. It also offers the longest possible measuring distance of 40 m (131 ft) (dielectric constant > 1.8). It is ideal for applications close to the tank walls.

Optimisation options

- Antenna size: the bigger the antenna, the smaller the beam angle, the less interference echoes.
- Mapping: the measurement can be optimized by means of electronic suppression of interference echoes.
- Antenna alignment: "**Optimum mounting position**", → [17](#).
- Stilling well: a stilling well can always be used to avoid interference. The FMR532 with planar antenna is recommended for stilling wells with a diameter DN150 (6") and larger.

Measuring conditions

- The measuring range begins, where the beam hits the tank bottom. Particularly with dish bottoms or conical outlets the level cannot be detected below this point.
- Depending on its consistency, foam can either absorb microwaves or reflect them off its surface. Measurement is possible under certain conditions.
- The smallest possible measuring range **B** (see Fig.) depends on the antenna version.
- Tank diameter and height should be at least dimensioned such that a reflection of the radar signal on both sides of the tank can be avoided.
- In case of media with a low dielectric constant (groups A and B), the tank bottom can be visible through the medium at low levels (low height **C**). Reduced accuracy has to be expected in this range. If this is not acceptable, we recommend positioning the zero point at a distance **C** (see Fig.) above the tank bottom in these applications.
- In principle, it is possible to measure up to the tip of the antenna with the FMR540. However, due to corrosion and build-up, the end of the measuring range should not be any closer than **A** (see Fig.).



A0020737

1)	A [m (ft)]	B [m (ft)]	C [mm (in)]
FMR540 (without extension) ²⁾	0.6 (2.0)	> 0.5 (1.6)	> 300 (11.8)

1) All values are based on reference conditions.

2) The length of a sensor extension shall be added to "A" when selecting the extension option.

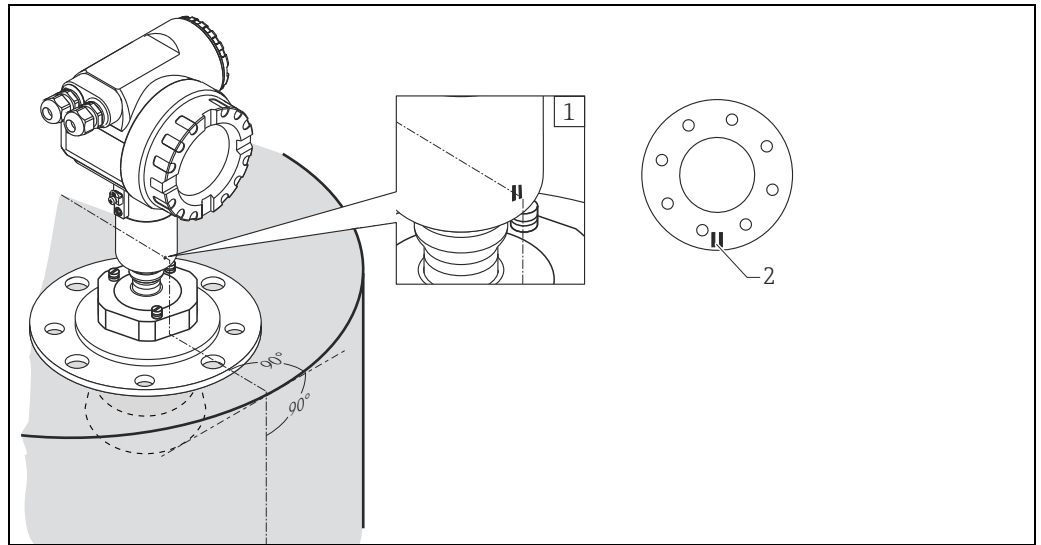
Behaviour if measuring range is exceeded

The behaviour in case of the measuring range being exceeded can be freely set:

The default setting is a current of 22 mA and the generation of a digital warning (E651).

Installation on tank

Optimum mounting position



- 1 Marking on sensor
- 2 Marking on flange

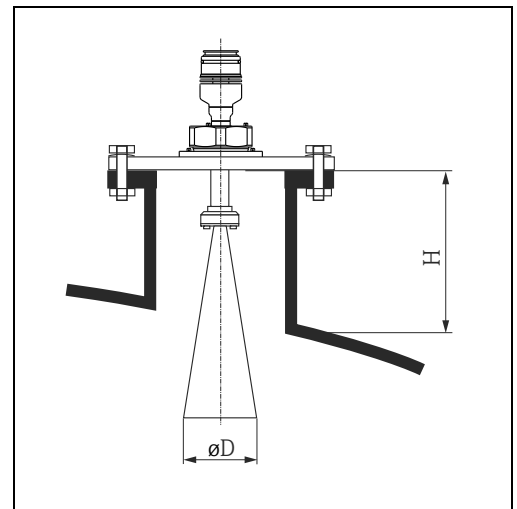
A0020810

Standard installation with horn antenna

- Follow installation instructions (→ 15).
- Marker must be aligned towards tank wall. The marker is located clearly visible on the sensor neck or the flange.
- After mounting, the housing can be turned 350° in order to simplify access to the display and the terminal compartment.
- Adjust vertical sensor alignment in case the flange is not parallel to the face is medium surface.
- The horn antenna should protrude from the nozzle. If necessary, choose version with antenna extension (→ 23). For applications with higher nozzles, please contact your Endress+Hauser sales center.
- The horn antenna should be installed with 3° inclination towards the tank center. To avoid interference reflections or for optimum alignment within the tank, the FMR540 with optional alignment device can be swiveled by 15° in all directions.

For more information, please see Operating Instructions KA00274F/00/EN.


If you have any questions regarding commissioning, please contact your Endress+Hauser sales center.




A0020809

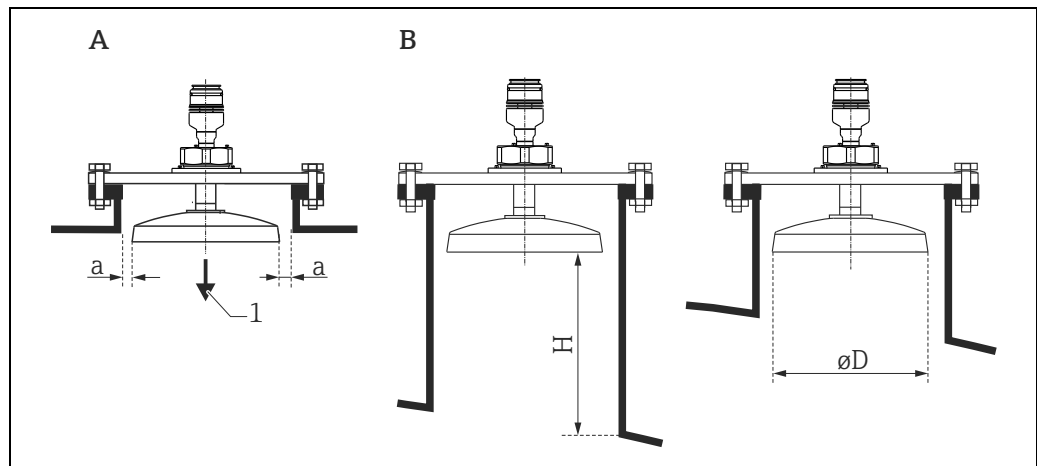
Antenna size	100 mm (4")
D (mm[in])	95 (3.74)
H (mm [in]) (without antenna extension)	< 430 (16.9)

Standard installation with parabolic antenna

- Follow installation instructions (→  15).
- Marker is aligned towards tank wall. The marker is located clearly visible on the sensor neck or the flange.
- After mounting, the housing can be turned 350° in order to simplify access to the display and the terminal compartment.
- Ideally, the parabolic antenna should extend completely out of the nozzle (A).
Particularly when using the alignment device, please ensure that the parabolic reflector is protruding from the nozzle/roof so as not to inhibit alignment.

 For applications with higher nozzles, install the parabolic antenna completely in the nozzle (B), including RF waveguide.

- The parabolic antenna should be installed vertically. To avoid interference reflections or for optimum alignment within the tank, the FMR540 with optional alignment device can be swiveled by 15° in all directions. For more information, please see Operating Instructions KA00274F/00/EN.
If you have any questions regarding commissioning, please contact your Endress+Hauser sales center.



A0020806

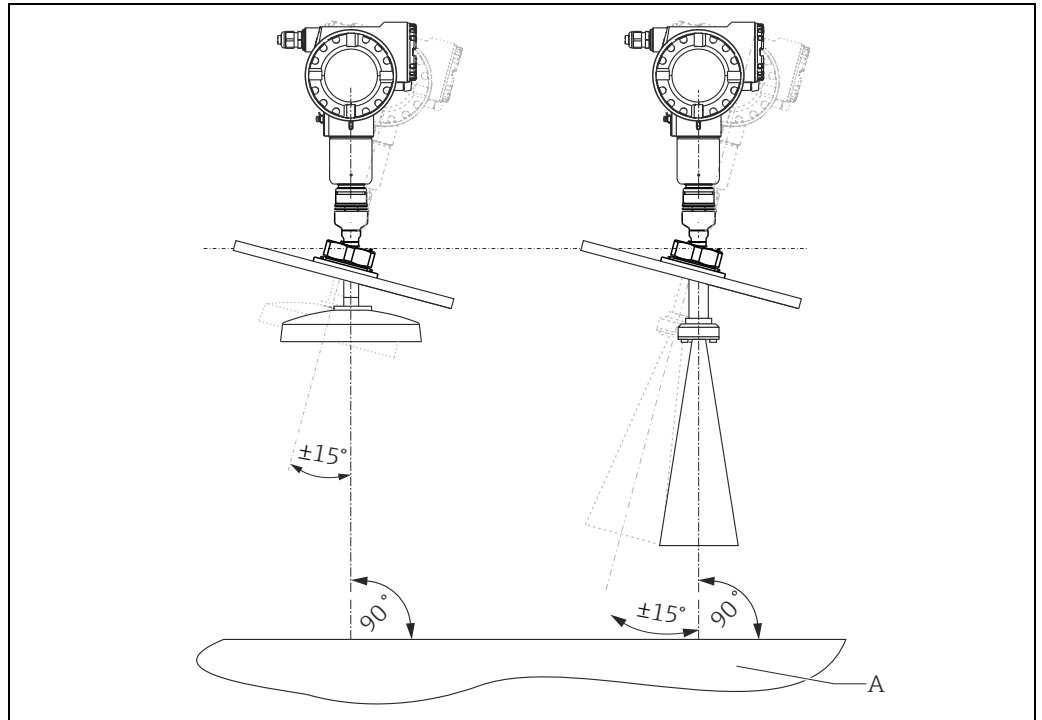
- A Antenna is extending out of the nozzle
 B Antenna installation in the nozzle
 1 Installation perpendicular to surface of medium
 a Observe distance

Antenna size	200 mm (8")	250 mm (10")
D (mm [in])	173 (6.81)	236 (9.29)
H (mm [in]) (without antenna extension)	< 200 (7.87)	< 200 (7.87)

Alignment device**Optimum mounting position**

The Micropilot S should be installed at right angles to the surface of the medium for optimum measuring performance of ± 1 mm (0.04 in). Using the alignment device it is possible to tilt the antenna axis by up to 15° in all directions. The alignment device is used for the optimum alignment of the radar beam to the liquid surface.

The Sensor should be positioned vertical to the liquid surface in inclination of 0° for Parabolic Antenna and up to 3° for Horn Antenna.



A0020807

A Medium

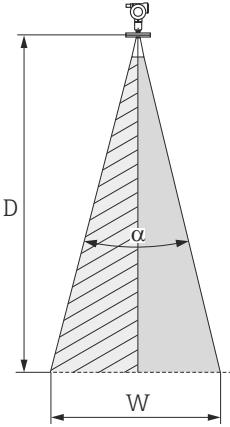
To align the antenna as precisely as possible, it is recommended to use the Level Tool, which is available as an accessory. For more information, please see Operating Instructions KA00274F/00/EN. In case of custody Application, the screws must be locked with wires.

Beam angle

The beam angle is defined as the angle α where the energy density of the radar waves reaches half the value of the maximum energy density (3dB-width). Microwaves are also emitted outside the signal beam and can be reflected off interfering installations. The beam diameter W is a function of antenna type (beam angle α) and distance D . The recommended distance to the tank wall is indicated in the tables below. It is strongly recommended to avoid any mechanical obstacles within the highlighted area.

Horn antenna			
Antenna size	100 mm (4")		
Beam angle (α)	8°		

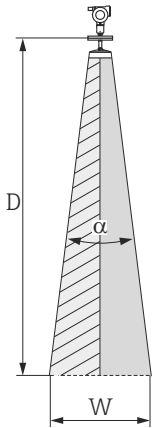
Distance (D) (m [ft])	Beam diameter (W) (m [ft])	Recommended distance to wall (m [ft])	
		0° tilting	3° tilting
5 (16)	0.70 (2.3)	0.89 (2.9)	0.62 (2.0)
10 (33)	1.40 (4.6)	1.77 (5.8)	1.23 (4.0)
15 (49)	2.10 (6.9)	2.65 (8.7)	1.85 (6.1)
20 (66)	2.80 (9.2)	3.53 (12)	2.46 (8.1)
25 (82)	3.50 (11)	4.41 (14)	3.07 (10)
30 (98)	4.20 (14)	5.29 (17)	3.69 (12)



A0020805

Parabolic antenna		
Antenna size	200 mm (8")	250 mm (10")
Beam angle (α)	4.4°	3.3°

Distance (D) (m [ft])	Recommended distance to wall (m [ft])	
5 (16)	0.35 (1.1)	0.2 (0.7)
10 (33)	0.70 (2.3)	0.5 (1.6)
15 (49)	1.05 (3.4)	0.75 (2.5)
20 (66)	1.40 (4.6)	1.05 (3.4)
25 (82)	1.75 (5.7)	1.3 (4.3)
30 (98)	2.10 (6.9)	1.6 (5.2)
35 (115)	2.45 (8.0)	1.85 (6.1)
40 (131)	2.80 (9.2)	2.10 (6.9)



A0020806

HINWEIS

Measuring error due to multiple echoes!

- ▶ Ensure that **only one** tank wall (**not two** tank walls) is hit directly by the radar beam!

Integrated air purge connection

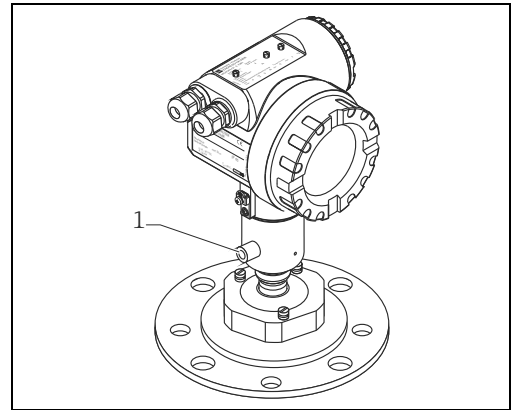
In some applications, the integrated purge air connection can prevent clogging of the antenna.

- Permanent operation:
recommended pressure range for purge air: 1.2 to 1.5 bar (18 to 22.5 psi) abs.
- Pulsed operation:
max. pressure of purge air: 6 bar (90 psi) abs.

HINWEIS

Moisture or humidity can accumulate and result in incorrect measurement results!

- ▶ Use dry purge air!



1 Purge air connection G 3/4"
(max. torque 3.5 Nm (2.581 lbf ft))

A0020799

Environment

Ambient temperature range	<p>Ambient temperature for the transmitter:</p> <ul style="list-style-type: none"> Standard: -40 °C to +80 °C (-40 °F to +176 °F) For custody transfer measurement: -25 °C to +55 °C (-13 °F to +131 °F) <p>For $T_u < -20$ °C (-4 °F) and $T_u > +60$ °C (+140 °F), the operation of the LCD is restricted. A weather protection cover should be used for outdoor operation if the device is exposed to direct sunlight.</p>
Storage temperature	-40 °C to +80 °C (-40 °F to +176 °F)
Climate class	DIN EN 60068-2-38 (test Z/AD)
Degree of protection	<ul style="list-style-type: none"> Housing: IP65/68, NEMA 4X/6P Antenna: IP65/68, NEMA 4X/6P
Vibration resistance	DIN EN 60068-2-64 / IEC 68-2-64: 20 to 2000 Hz, 1 (m/s ²)/Hz
Cleaning of the antenna	The antenna can get contaminated, depending on the application. The emission and reception of microwaves can thus eventually be hindered. The degree of contamination leading to an error depends on the medium and the reflectivity, mainly determined by the dielectric constant ϵ_r . If the medium tends to cause contamination and deposits, cleaning on a regular basis is recommended. Care must be taken during spray-washing or mechanical cleaning to avoid damage to the antenna. The material compatibility has to be considered if cleaning agents are used! The maximum permitted temperature at the flange should not be exceeded.
Electromagnetic compatibility (EMC)	<ul style="list-style-type: none"> Electromagnetic compatibility in accordance with all relevant requirements of the EN 61326 series and NAMUR recommendation (NE21). For details refer to the Declaration of Conformity. Maximum deviation < 0.5 % of the span. A standard installation cable is sufficient if only the analogue signal is used. Use a screened cable when working with a superimposed communications signal (HART).
Approvals for custody transfer applications	All aspects of OIML R85 are fulfilled.

Approvals for custody transfer applications	Version*
NMi + PTB (<1 mm [0.04 in]) type approval (→ 14 27)	A
NMi-witnessed initial verification (<1 mm [0.04 in]) (→ 14 27)	F
PTB-witnessed initial calibration (<1 mm [0.04 in]) (→ 14 27)	G
not selected; Inventory control (→ 14)	R

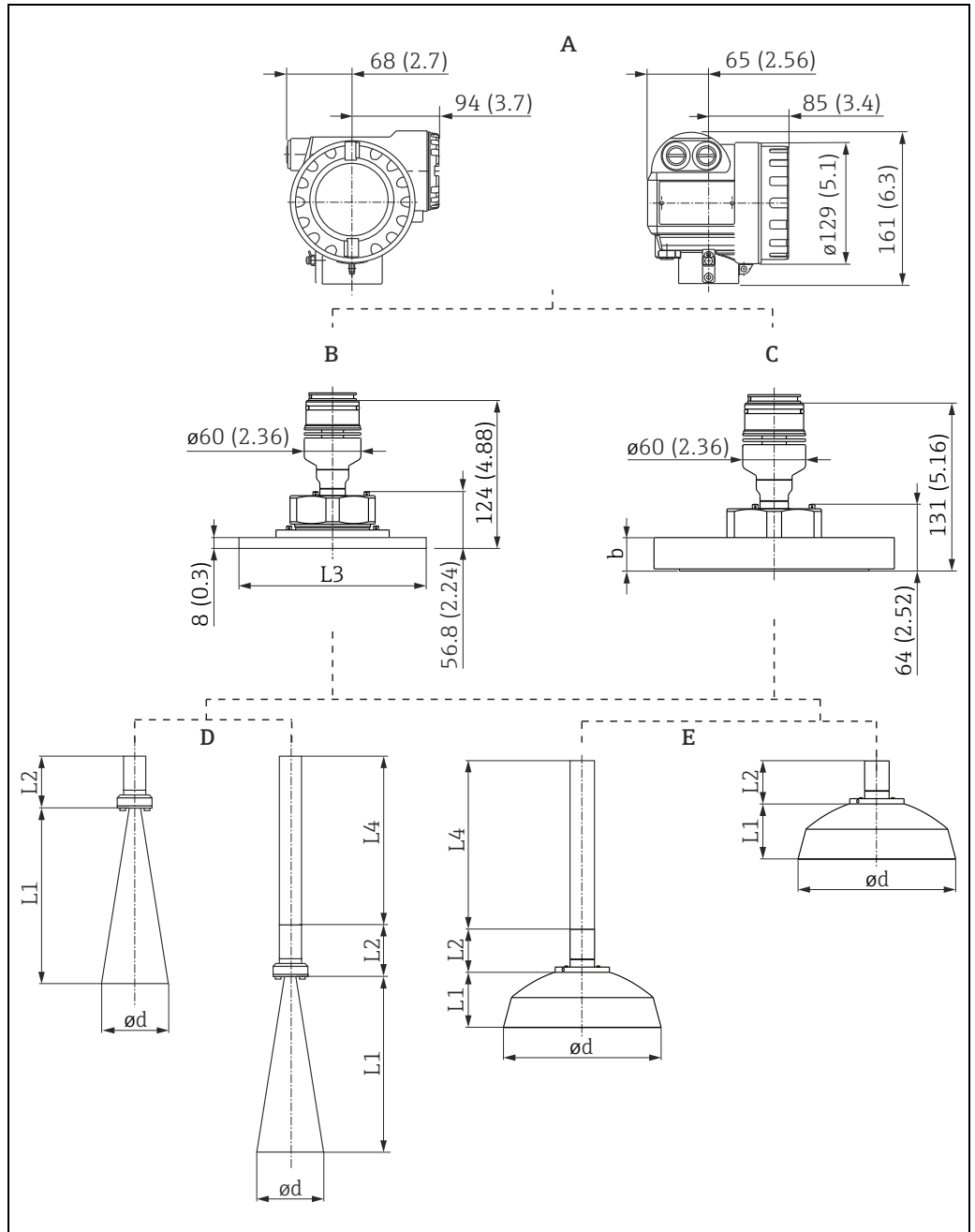
* Order code in Product Configurator (→ [14](#) 37)

Process

Process temperature range	GLT, -40 °C to +200 °C (-40 °F to 391 °F)
Process pressure limits	<ul style="list-style-type: none"> Parabolic antenna -1 to 16 bar (-15 to 240 psi) Horn antenna -1 to 16 bar (-15 to 240 psi) With Endress+Hauser UNI flange -1 to 1 bar (-15 to 15 psi)
Alignment device	± 15° inclination seal: FKM Viton GLT

Mechanical construction

Design, dimensions



A0020797

Engineering unit mm (in)

- A Housing T12
- B Alignment device (sensor alignment) with Endress+Hauser UNI flange DN150**/200/250
- C Alignment device (sensor alignment) with Endress+Hauser standard flange
- D Horn antenna (with L4 extension)
- E Parabolic antenna (with L4 extension)
- L3 ø280 mm (11 in) DN50; ø340 mm (13.4 in) DN200; ø405 mm (15.9 in) DN250

** UNI flange DN150 for horn antenna only

Antenna extension (L4)	Version*
6" 150 mm	2
10" 250 mm	3
18" 450 mm	4

Antenna, seal	L1 (mm [in])	ød (mm [in])	L2 (mm [in])		Version* for standard flange
			UNI ¹⁾	Standard	
Horn antenna					
4" 100 mm	430 (16.9)	95 (3.74)	32.9 (1.3)	26.9 (1.06)	E
Parabolic antenna					
8" 200 mm	60.6 (2.39)	173 (6.81)	31.8 (1.25)	24.8 (0.98)	G
10" 250 mm	88.4 (3.48)	236 (9.29)	19.5 (0.77)	12.5 (0.49)	H

1) For the version in the order code, see Endress+Hauser UNI flange → [39](#)

Flange / Process connection	b (mm [in])	øD (mm [in])	Version*
ANSI B16.5			
4" 150 lbs	23.9 (0.94)	228.6 (9.0)	APJ
6" 150 lbs	25.4 (1.0)	279.4 (11.0)	AVJ
8" 150 lbs	28.4 (1.12)	342.9 (13.5)	AKJ
10" 150 lbs	30.2 (1.19)	406.4 (16.0)	A5J
Flange JIS B2220			
10K 100A	18 (0.71)	210 (8.27)	KHJ
10K 150A	22 (0.87)	280 (11.0)	KVJ
10K 200A	22 (0.87)	330 (13.0)	KDJ
10K 250A	24 (0.94)	400 (15.7)	K5J
Flange JPI 7S -15			
4" 100A 150 lbs	23.9 (0.94)	230 (9.06)	APJ
6" 150A 150 lbs	25.4 (1.0)	280 (11.0)	LJJ
8" 200A 150 lbs	28.6 (1.13)	345 (13.6)	LKJ
10" 250A 150 lbs	30.2 (1.19)	405 (15.9)	LLJ
Flange EN1092-1 (suitable for DIN2527 C)			
DN100 PN10/16	20 (0.79)	220 (8.66)	CQJ
DN150 PN10/16	22 (0.87)	285 (11.2)	CWJ
DN200 PN16	24 (0.94)	340 (13.4)	CXJ
DN250 PN16	26 (1.02)	405 (15.9)	C6J

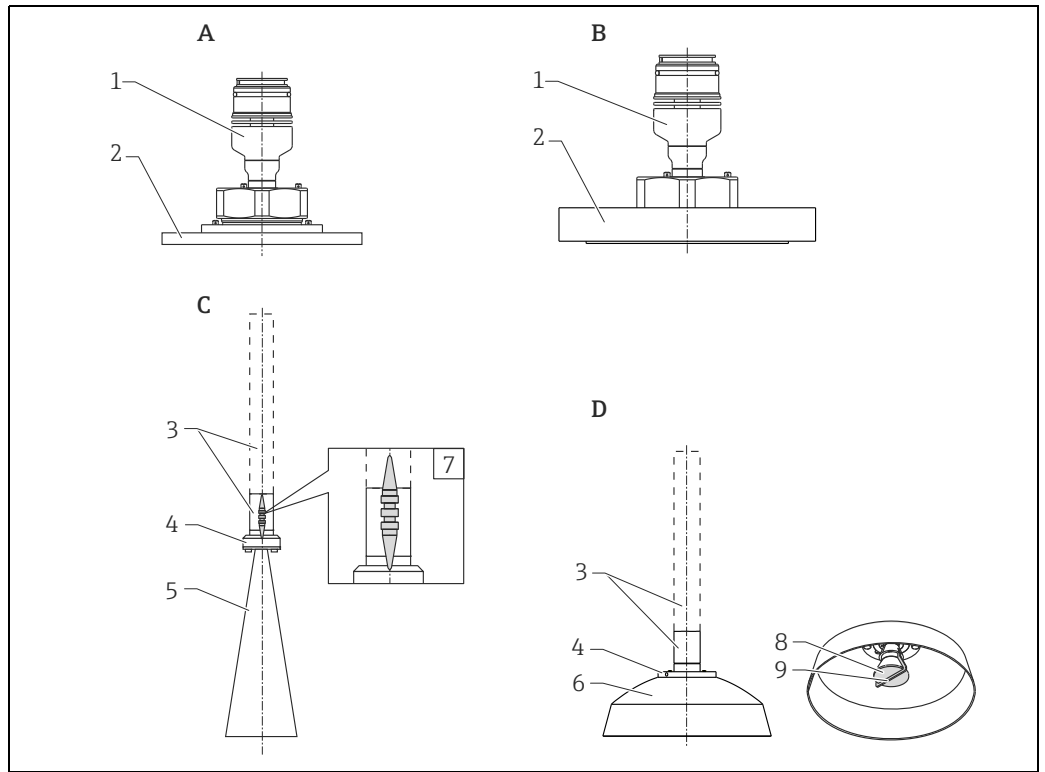
* Order code in Product Configurator (→ [37](#))

Weight 6 kg (13.23 lbs) + flange weight¹⁾

1) Flange weights according to form sheet

Materials

Materials in contact with process

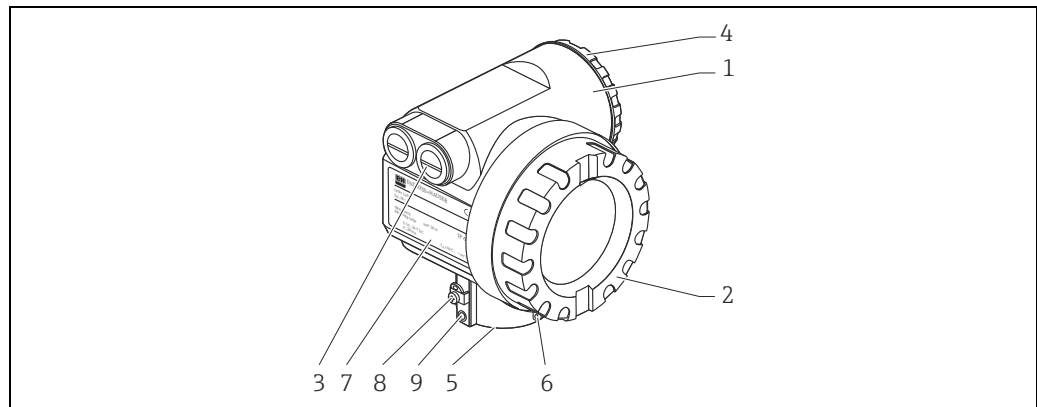


- A Alignment device with Endress+Hauser UNI flange
- B Alignment device with standard flanges
- C Horn antenna (with antenna extension)
- D Parabolic antenna (with antenna extension)

Pos.	Part	Material	
1	Adapter	316L (1.4404)	
	Plug	A4	316L (1.4404)
	Adapter (G → NPT)	316L (1.4404)	
	Seal	Viton	
2	Flange	316L (1.4404/1.4435)	
	Adapter	316L (1.4404)	
	Ball	316L (1.4404)	
	Screw nut	304 (1.4301)	
	Jammes ring	304 (1.4301)	
	Starting disk	304 (1.4301) with slide coating	
	Capstan head screw	A2	
	Seal	Viton	
3	Pipe	316L (1.4404)	
4	Parts for process separation	316L (1.4404)	
	Adapter Horn / Parabolic	316L (1.4404)	
5	Horn	316L (1.4404)	
	Screws	A4	
	Seal	FKM	

Pos.	Part	Material
6	Parabolic reflector	316L (1.4404)
	Screws	A4
	Seal	FKM
7	Process separating cone (horn antenna)	PEEK
8	Process separating cone (parabolic antenna)	PTFE
	Reflector	316L
	Bracket	316L

Materials not in contact with process




A0020714

Housing T12, aluminum

Pos.	Part	Material	
1	T12 housing	AlSi10Mg (aluminum, powder-coated)	
2	Cover (Display)	AlSi10Mg	
	Seal	Fa. SHS: EPDM 70pW FKN	
	Window	ESG-K-Glass (Toughened safety glass)	
	Sealing of the glass	Silicone sealing compound Gomastit 402	
3	Seal	Fa. SHS: EPDM 70 pW FKN	Trelleborg: EPDM E7502
	Cable gland	Polyamid (PA), CuZn nickel-plated	
	Plug	PBT-GF30	1.0718 galvanized
		PE	3.1655
Adapter	316L (1.4435)	AlMgSiPb (anodized)	
4	Cover (Connection compartment)	AlSi10Mg	
	Sealing	Fa. SHS: EPDM 70pW FKN	Trelleborg: EPDM E7502/ E7515
	Clamp	Screws: A4; Clamp: Ms nickel-plated; Spring washer: A4	
5	Sealing ring	Fa. SHS: EPDM 70pW FKN	Trelleborg: EPDM E7502/ E7515
6	Tag	304 (1.4301)	
	Rope	VA	
	Crimp sleeve	Aluminium	
7	Nameplate	316L (1.4404)	
	Groove pin	A4 (1.4571)	

Pos.	Part	Material
8	Ground terminal	Screws: A2; Spring washer: A4; Clamp: 304 (1.4301) Holder: 1.4310
9	Screw	A2-70

 Endress+Hauser supplies DIN/EN flanges made of stainless steel according to AISI 316L (DIN/EN material number 1.4404 or 1.4435). With regard to their temperature stability properties, the materials 1.4404 and 1.4435 are grouped under 13EO in EN 1092-1 Tab. 18. The chemical composition of the two materials can be identical.

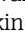
Type plate for custody transfer applications


In addition to the standard type plate, the device features a type plate for custody transfer applications with the following statements:

- manufacturer
- device type
- label for custody transfer approval
PTB : Label for custody transfer approval ("Z") and approval number
NMI : Field for five-digit approval number
- year of manufacturing
- space for imprinted tank identification number
- statement of measuring range suitable for custody transfer approval including unit
- statement of ambient temperature range suitable for calibration to regulatory standards

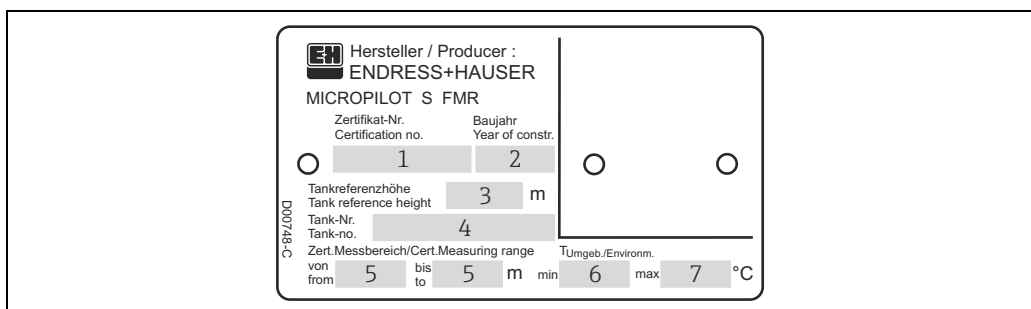
The following statements are also required for calibration to regulatory standards. They are listed on the standard type plate and are not repeated here:

- date of manufacturing
- tester

The type plate for calibration to regulatory standards can be sealed. It is mounted with screws, therefore also available as a spare part. The "stamping" of the electronic compartment is achieved with the custody locking switch (compare figure, →  34) and does not require any additional stamping location.



 The fields are completed only if the version "F" or "G" was selected in the order code under "Weight + measure approval".

NMI type plate (example)



- 1 Certificate number
- 2 Year of manufacture
- 3 Tank reference height
- 4 Tank number
- 5 Certified measuring range from ... to
- 6 Min. ambient temperature
- 7 Max. ambient temperature

PTB type plate (example)

D00549-B	 Hersteller / Producer : ENDRESS+HAUSER			
	MICROPILOT S FMR			
	1	Baujahr Year of constr.		
	2	3		
	Tankreferenzhöhe Tank reference height			4 m
	Tank-Nr. Tank-no.			5
	Zert.Messbereich/Cert.Measuring range			T _{Umgeb./Environn.}
	von from	6 bis to		6 m min

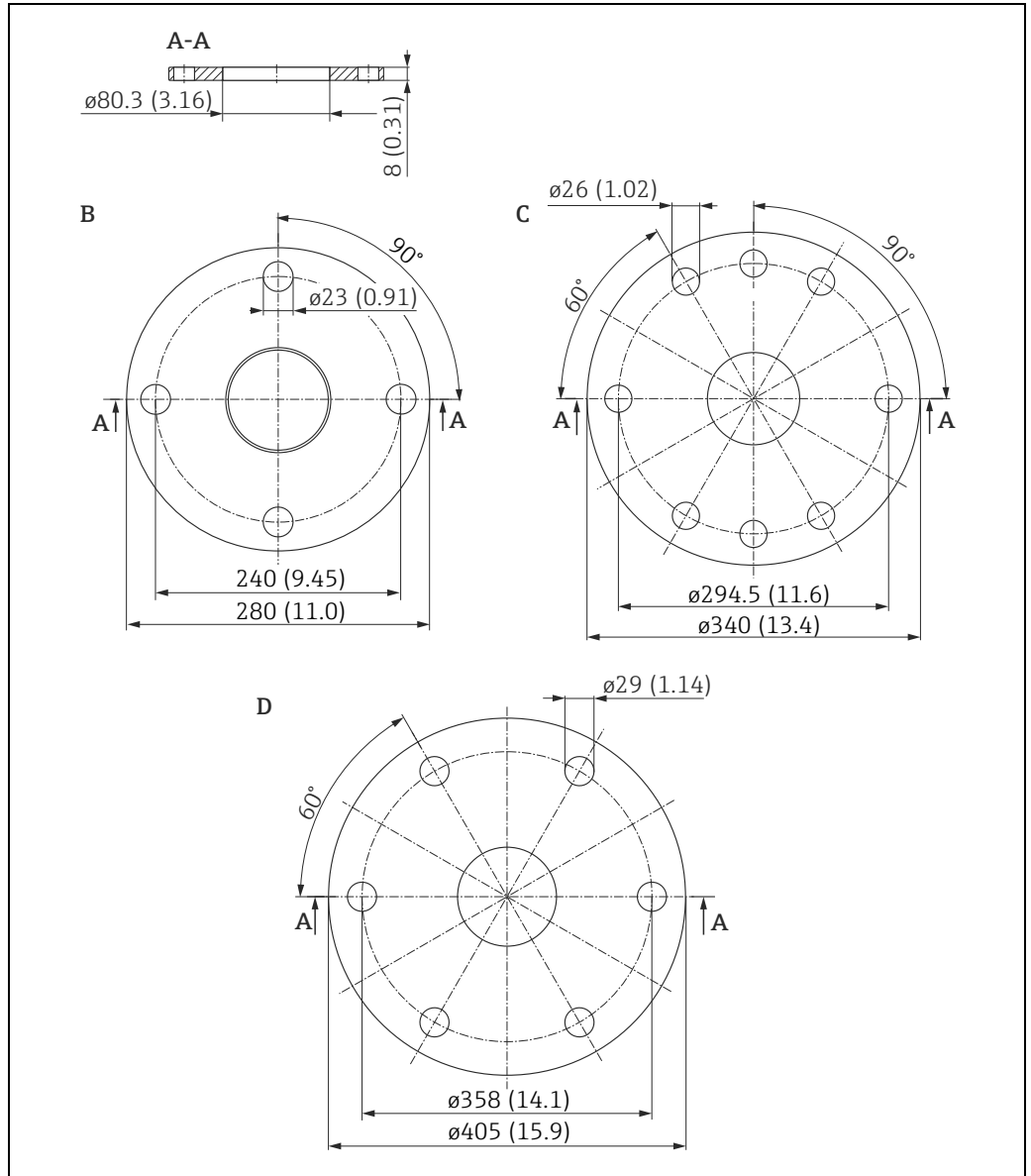
A0020446

- 1 Approval number
- 2 Year and month of type approval
- 3 Year of manufacture
- 4 Tank reference height
- 5 Tank number
- 6 Certified measuring range from ... to
- 7 Min. ambient temperature
- 8 Max. ambient temperature

Endress+Hauser UNI flange

Installation hints

The number of bolts has sometimes been reduced. The bolt-holes have been enlarged to allow for the dimensions to be adapted. Therefore, the flange must be properly aligned with the counterflange before the bolts are tightened.



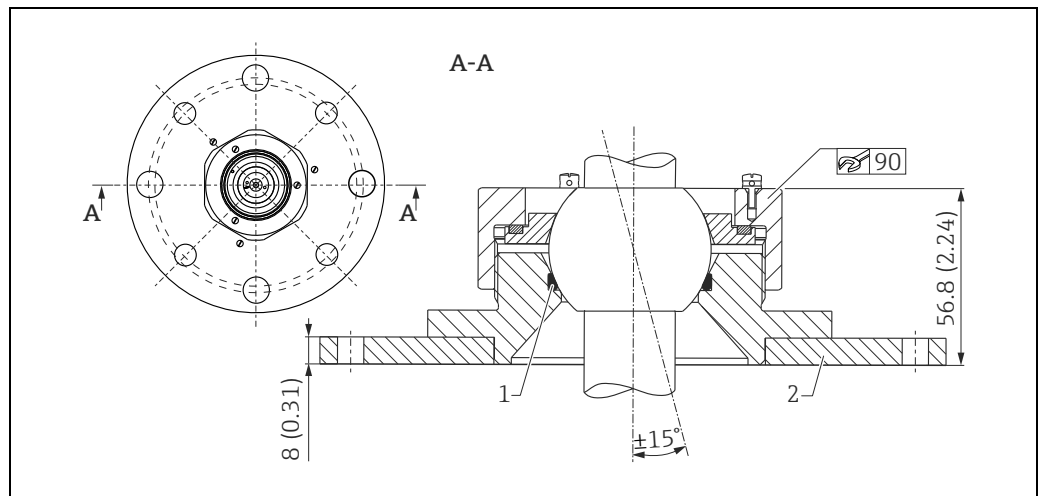
Engineering unit mm (in)

A0020793

Endress+Hauser UNI flange	Compatible with	Version*
B	DN150 PN16; ANSI 6" 150lbs; JIS 10K 150	XVJ
C	DN200 PN16; ANSI 8" 150lbs; JIS 10K 200	X3J
D	DN250 PN16; ANSI 10" 150lbs; JIS 10K 250	X5J

* Order code in Product Configurator (→ [37](#))

Alignment device with Endress+Hauser UNI flange



Engineering unit mm (in)

- 1 Viton seal
- 2 Endress+Hauser UNI flange DN200/DN250

See also sensor alignment tool → 38.

Operability

Operation concept

The display of the process value and the configuration of the Micropilot is done locally by means of a large 4-line alphanumeric display with plain text information. The guided menu system with integrated help texts ensures a quick and safe commissioning. Display and operation is selectable from one out of six languages (English, German, French, Italian, Dutch, Spanish and Japanese). During the first start-up, the device explicitly asks for the desired unit / language. To access the display the cover of the electronic compartment may be removed even in hazardous area (Ex ia, IS). Remote commissioning, including documentation of the measuring point and in-depth analysis functions, is supported via the FieldCare, the graphical operating software for Endress+Hauser time-of-flight systems.

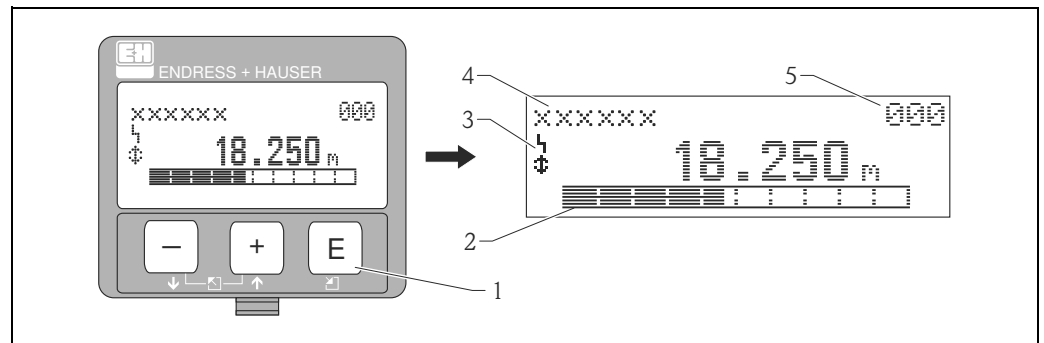
Access to the electronics can be prevented by means of a custody locking switch that locks the device settings.

The custody locking switch can be sealed for custody transfer applications.

Local operation

Operation with VU331

Using the LC-Display, configuration is possible directly at the device via the operating keys. All device functions can be set through a menu system. The menu consists of function groups and functions. Within a function, application parameters can be read or adjusted. The user is guided through a complete configuration procedure.



- 1 Operating keys
- 2 Bar graph
- 3 Symbols
- 4 Function name
- 5 Parameter identification number

A0020501

Remote configuration

The Micropilot S can be remotely operated via HART. On-site adjustments are also possible.

Operation with FieldCare

FieldCare is an asset management tool based on FDT technology from Endress+Hauser. With FieldCare, you can configure all Endress+Hauser devices as well as devices from other manufacturers that support the FDT standard. Hardware and software requirements can be found on the internet at: www.de.endress.com → Search: FieldCare → FieldCare → Technical data.

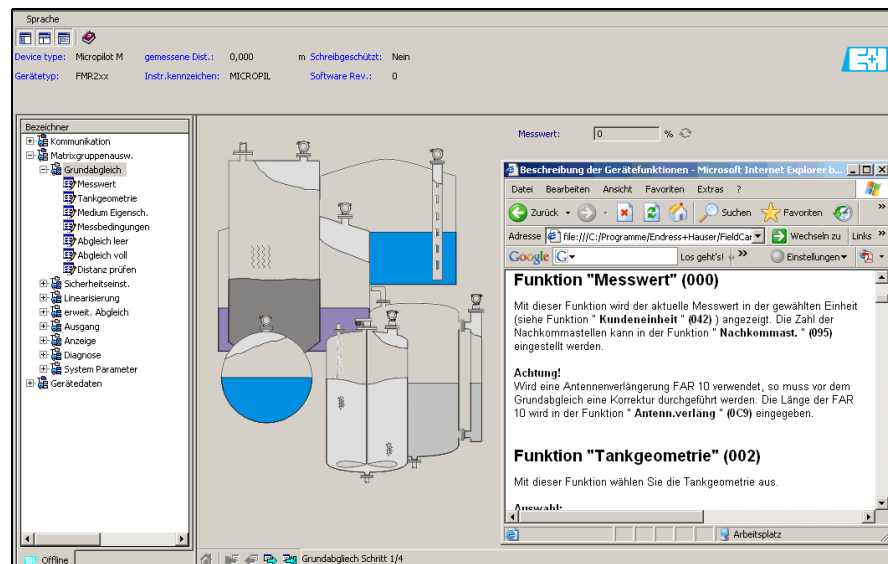
FieldCare supports the following functions:

- Configuration of transmitters in online operation
- Signal analysis via envelope curve
- Tank linearization
- Loading and saving device data (upload/download)
- Documentation of measuring point

Connection options:

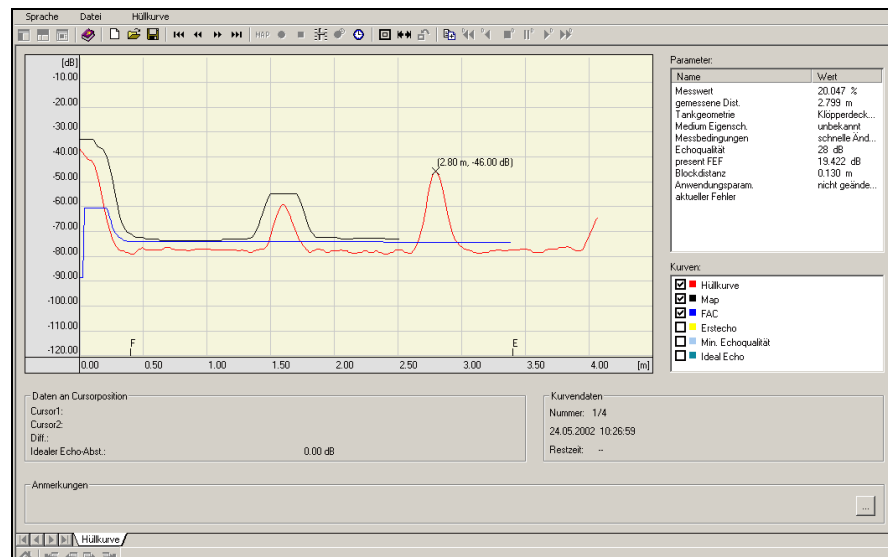
- HART via Commubox FXA195 and the USB port on a computer
- Commubox FXA291 with ToF Adapter FXA291 (USB) via service interface

Menu-guided commissioning



A0021211-EN

Signal analysis via envelope curve



A0021212-EN

Tank linearization

Index	Eingabe Füllst. (m)	Eingabe Volumen (%)
1	0.000	0.000
2	0.065	1.772
3	0.129	3.765
4	0.194	5.980
5	0.258	8.417
6	0.323	11.080
7	0.387	13.966
8	0.452	17.078
9	0.516	20.411
10	0.581	23.965
11	0.645	27.736
12	0.710	31.702
13	0.774	35.864
14	0.839	39.999
15	0.903	44.256
16	0.968	48.546
17	1.032	52.843
18	1.097	57.120
19	1.161	61.349
20	1.225	65.500
21	1.290	69.538
22	1.355	73.409
23	1.419	77.068
24	1.484	80.508
25	1.548	83.727
26	1.613	86.722
27	1.677	89.492
28	1.742	92.038
29	1.806	94.360
30	1.871	96.459
31	1.935	98.339
32	2.000	100.000

A0021213-EN

Operation with Field Communicator 475

With the Field Communicator 475, all device functions can be configured via a menu operation.

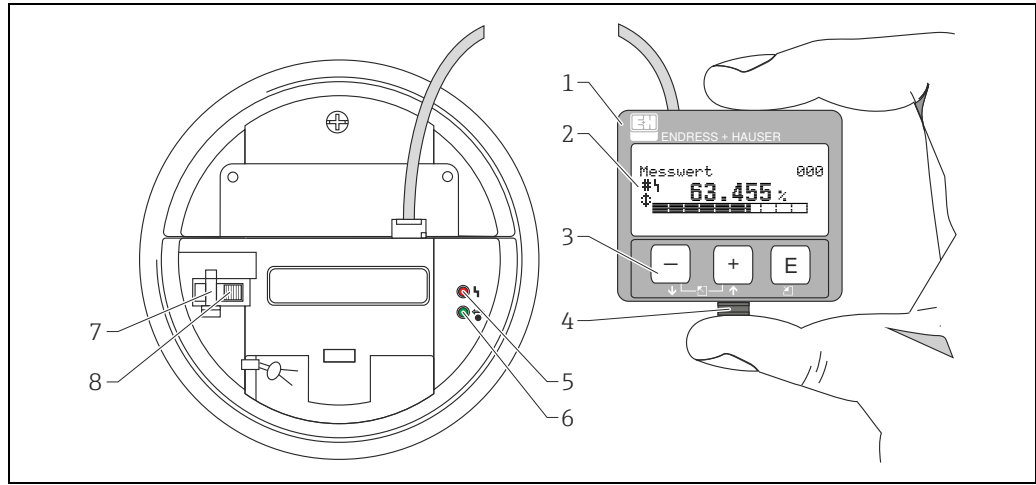


Further information on the handheld terminal can be found in the relevant Operating Instructions included in the transport bag of the Field Communicator 475.

Display elements

Liquid crystal display (LCD):

Four lines with 20 characters each. Display contrast adjustable through key combination.



A0020494-EN

- | | | | |
|---|------------------------|---|------------------------|
| 1 | Liquid crystal display | 5 | Red LED |
| 2 | Symbols | 6 | Green LED |
| 3 | Operating keys | 7 | Custody locking switch |
| 4 | Snap fit | 8 | Sealing pin |

i To access the display, it is possible to open the cover of the electronics compartment even in an explosion hazardous area. The LCD can be removed for easy operation by simply pressing the snap fit (see graphic above). It is connected to the device by means of a 500 mm (19.7 in) long cable.

Display symbols

The following table describes the symbols that appear on the liquid crystal display:

Symbols	Meaning
	ALARM_SYMBOL This alarm symbol appears when the device is in an alarm state. If the symbol flashes, this indicates a warning.
	LOCK_SYMBOL This lock symbol appears when the device is locked, i.e. if no input is possible.
	COM_SYMBOL This communication symbol appears when a data transmission via e.g. HART is in progress.
	Calibration to regulatory standards disturbed If the device is not locked or suitability for custody transfer measurement cannot be guaranteed, this will be indicated on the display by this symbol.

Light emitting diodes (LEDs):

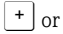

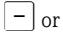
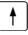

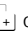


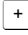



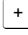
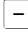

There is a green and a red LED beside the LCD.

LED	Meaning
red LED continuously on	Alarm
red LED flashes	Warning
red LED off	No alarm
green LED continuously on	Operation
Green LED flashes	Communication with external device



Operating elements

The operating elements are located inside the housing and are accessible for operation by opening the lid of the housing.

Function of the keys

Key(s)	Meaning
 or 	<ul style="list-style-type: none"> ▪ Navigate upwards in the selection list. ▪ Edit numeric value within a function.
 or 	<ul style="list-style-type: none"> ▪ Navigate downwards in the selection list. ▪ Edit numeric value within a function.
  or 	Navigate to the left within a function group.
	<ul style="list-style-type: none"> ▪ Navigate to the right within a function group. ▪ Confirm entries.
 and  or  and 	Contrast settings of the LCD.
 and  and 	Hardware lock / unlock After a hardware lock, an operation of the device via display or communication is not possible! The hardware can only be unlocked via the display. An unlock parameter must be entered to do so.

Certificates and approvals

CE approval	The measuring system meets the legal requirements of the EC-guidelines. Endress+Hauser confirms the device passing the required tests by attaching the CE-mark.
C-Tick symbol	The measuring system meets the EMC requirements of the "Australian Communications and Media Authority (ACMA)".
Ex approval	<ul style="list-style-type: none"> ▪ ATEX ▪ CSA ▪ FM ▪ NEPSI ▪ TIIS <p>When operating in hazardous areas, additional safety instructions must be observed. These can be found in the separate document entitled "Safety Instructions" (XA), which is included in the scope of delivery. The applicable XA is indicated on the nameplate.</p> <p> Details on the certificates available and the relevant XAs can be found in the "Documentation" section under "Safety instructions" →  40.</p>
Overfill prevention	WHG, see ZE00243F/00/DE.
RF approvals	R&TTE 1999/5/EG, FCC CRF 47, part 15
CRN approvals	Versions with a CRN approval (Canadian Registration Number) are listed in the corresponding registration documents. CRN-approved devices are assigned the registration number OF10904.5CADD2.
Approvals for custody transfer applications	All aspects of OIML R85 are fulfilled.
External standards and guidelines	<p>To conception and development for Micropilot S have been followed the external standards and guidelines:</p> <p>EN 60529 Protection class of housing (IP-code)</p> <p>EN 61010 Safety regulations for electrical devices for measurement, control, regulation, and laboratory use</p> <p>EN 61326 Emissions (equipment class B), compatibility (appendix A – industrial area)</p> <p>NAMUR Standards committee for measurement and control in the chemical industry</p> <p>API (American Petroleum Institute) Particulary "Manual of Petroleum Measurement Standards"</p> <p>OIML R85 (Organisation Internationale de Métrologie Légale)</p>

Ordering information

Ordering information

Detailed ordering information is available as follows:

- In the Product Configurator on the Endress+Hauser website: www.endress.com ▶ Select country ▶ Instruments ▶ Select device ▶ Product page function: Configure this product
- From your Endress+Hauser sales center: www.endress.com/worldwide



Product Configurator - the tool for individual product configuration

- Configuration data updated on a daily basis
- Depending on the device: Direct input of data specific to measuring point, such as measuring range or operating language
- Automatic verification of exclusion criteria
- Automatic generation of order code with breakdown in PDF or Excel output format
- Possibility to order directly from the Endress+Hauser online shop

Scope of delivery

The scope of delivery comprises:

- Device, mounted
- Optional accessories
- 2 lead seals
- CD-ROM with Endress+Hauser operating software
- Brief Operating Instructions KA01059F/00/EN for fast commissioning (included with device)
- Brief Operating Instructions KA00255F/00/A2 (basic calibration/trouble-shooting), stored in device
- Approval documentation, if not included in the Operating Instructions
- CD-ROM with additional technical documentation, e.g.
 - Operating Instructions
 - Description of Instrument Functions

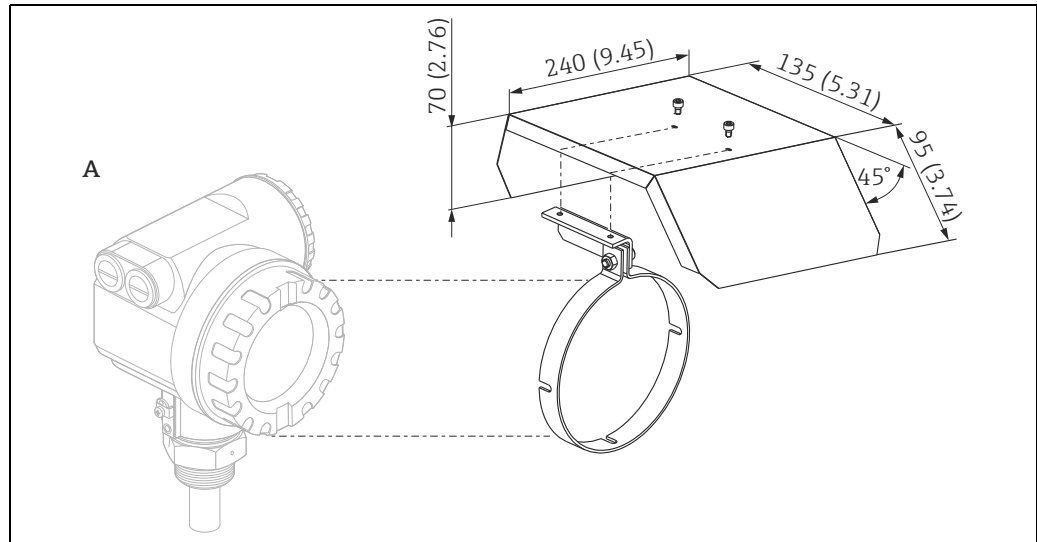
Accessories

A variety of accessories is available for the Micropilot S. They can be ordered separately from Endress+Hauser.

Device-specific accessories

Weather protection cover

A weather protection cover made of stainless steel is available for outdoor installation (order code: 543199-0001). The shipment includes the protective cover and tension clamp.



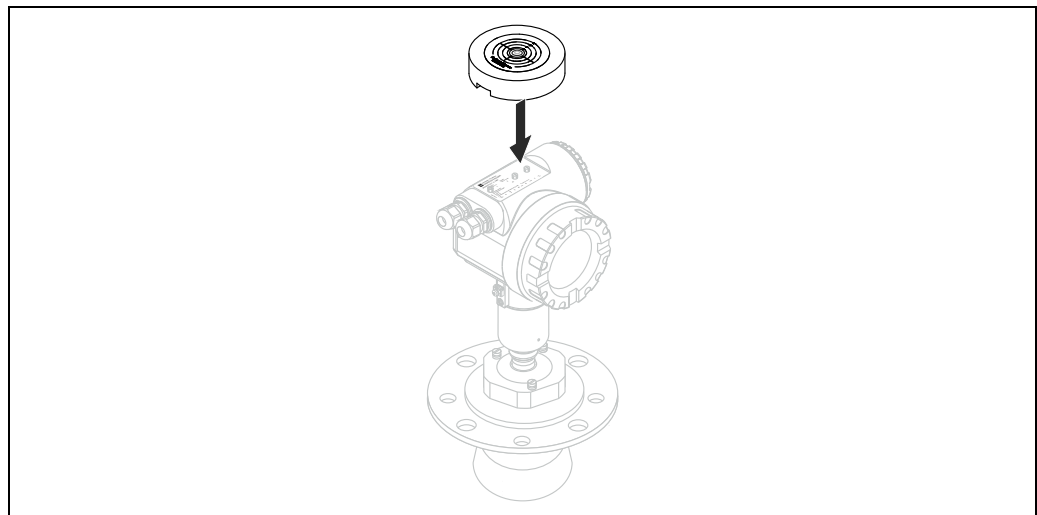
A0020691

Engineering unit mm (in)

A Housing T12

Sensor alignment tool for alignment device

A sensor alignment tool is recommended to be used at the time of installation for FMR540 with alignment device. Order no.: 52026756. For details, see instructions KA00274F/00/A2.



A0020790

Communication-specific accessories

Commubox FXA195 HART

For intrinsically safe communication with FieldCare via the USB interface. For details, see Technical Information TI00404F/00/EN.

Commubox FXA291

The Commubox FXA291 connects Endress+Hauser field devices with CDI interface (= Endress+Hauser Common Data Interface) to the USB interface of a personal computer or a notebook. For details, see Technical Information TI00405C/07/EN.



For the device you need the "ToF Adapter FXA291" as an additional accessory.

ToF Adapter FXA291

The ToF Adapter FXA291 connects the Commubox FXA291 via the USB interface of a personal computer or a notebook to the device. For details, see instructions KA00271F/00/A2.

Field Xpert

Compact, flexible and robust industrial handheld terminal for remote configuration and measured value retrieval via HART current output and via FOUNDATION Fieldbus. For details, see Operating Instructions BA00060S.

Service-specific accessories

FieldCare

FDT-based Plant Asset Management Tool from Endress+Hauser. It can configure all smart field units in your system and helps you manage them. By using the status information, it is also a simple but effective way of checking their status and condition. For details, see Operating Instructions BA00027S and BA00059S.

Documentation

Standard documentation

The following document types are available:

- On the CD supplied with the device
- In the Download Area of the Endress+Hauser website → www.de.endress.com → Download

Documentation	
Operating Instructions	BA00326F/00/EN
Description of instrument functions	BA00341F/00/EN
Brief Operating Instructions (for fast commissioning)	KA01059/00/EN
Brief Operating Instructions (in the device)	KA00255F/00/A2

Supplementary device-dependent documentation

Device	Documentation	
Tank Side Monitor NRF590	Technical Information	TI00402F/00/EN
	Operating Instructions	BA00256F/00/EN
	Description of Instrument Functions	BA00257F/00/EN

Safety Instructions

Depending on the approval, Safety Instructions (XA) are supplied with the device. These instructions are an integral part of the Operating Instructions.

Certificate/type of protection	Documentation	Version*
ATEX II 1/2 G Ex ia IIC T6	XA00338F	1
ATEX II 1/2 G Ex ia IIC T6 + WHG	XA00338F + ZE00243F/00/EN	6
ATEX II 3G Ex nA IIC T6	XA00231F	G
FM IS Cl.I Div.1 Gr.A-D	XA00554F	S
CSA IS Cl.I Div.1 Gr.A-D	XA00539F	U
NEPSI Ex ia IIC T6	XA00579F	I
TIIS Ex ia IIC T2	–	K
TIIS Ex ia IIC T6	–	L

* Order code in Product Configurator (→ [37](#))



The nameplate indicates which Safety Instructions (XA) apply to the device.

Patents

This product may be protected by at least one of the following patents. Further patents are pending.

- US 5,387,918 i EP 0 535 196
- US 5,689,265 i EP 0 626 063
- US 5,659,321
- US 5,614,911 i EP 0 670 048
- US 5,594,449 i EP 0 676 037
- US 6,047,598
- US 5,880,698
- US 5,926,152
- US 5,969,666
- US 5,948,979
- US 6,054,946
- US 6,087,978
- US 6,014,100



www.addresses.endress.com
