

Adjustable Flow Switch

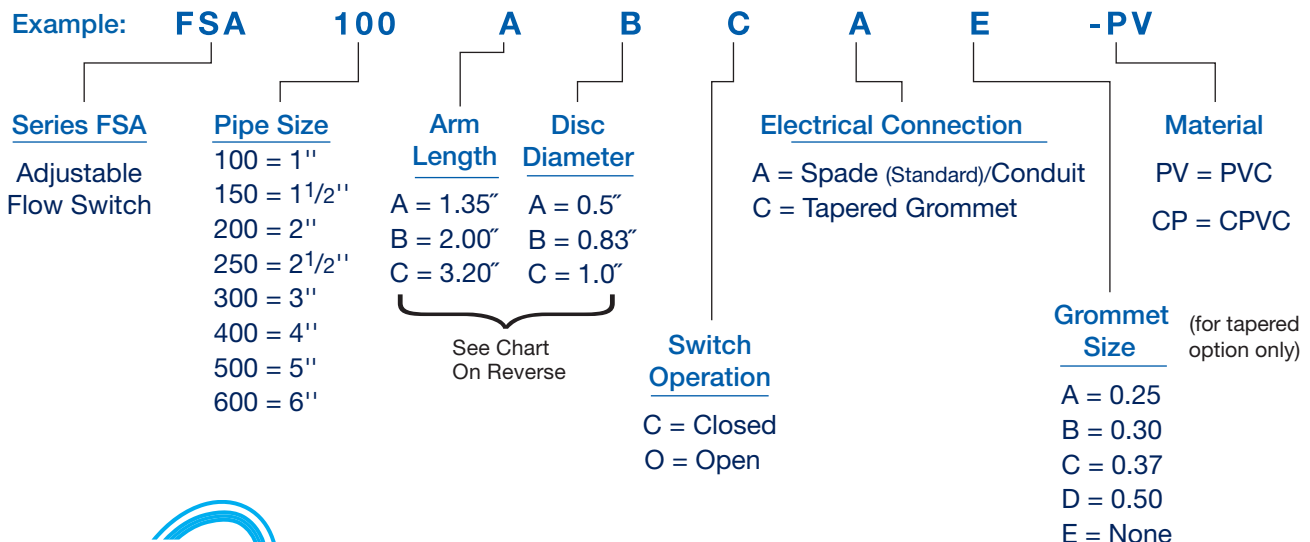
Continuous Monitoring of Flow Rates with No Wetted Metals



Features:

- Ideal for confirming operation of pressure relief, regulating or actuated valves.
- 8 to 1900+ GPM for 1" to 10" piping
- Particle contamination resistance is provided by a single convoluted elastomeric seal which is continually flushed by working fluid flow.
- Wetted surfaces of PVC and EPDM Elastomeric Standard (Viton Special Order.)
- Continuous adjustment while operating.
- Responds to flow only, independent of line pressure, temperature, environment
- SPDT 15 amp switching capacity model or Dry Computer/PLC Interface model
- Maintenance and checkout is a snap for your present personnel using an uncomplicated standard test meter.
- Maximum flow range flexibility is provided by three adjustment options:
- Continuous adjustment while operating via FORCE/BALANCE spring
- Accuracy $\pm 10\%$ with $\pm 5\%$ repeatability
- Nema 4 or 6 design

Ordering Information



Adjustable Flow Switch

Specifications:

Hysteresis (% Flow Change to Activate/Deactivate Switch):

- ≈ 10% at upper end of flow range
- ≈ 30% at lower end of flow range

Differential Pressure drops across unit (Normal Operating Conditions):

- 1" to 3" pipe – less than 0.5 psi
- 4" to 10" pipe – negligible

Pressure/Temperature

Maximum Operating Pressure

(Working Line Pressure) 50 PSI/3.4 Bar

Maximum Non-Operating Pressure

(Static Line Pressure) 150 PSI/10.3 Bar

Max. Temperature PVC 140°F/60°C

Max. Temperature CPVC 180°F/82°C

Materials of Construction

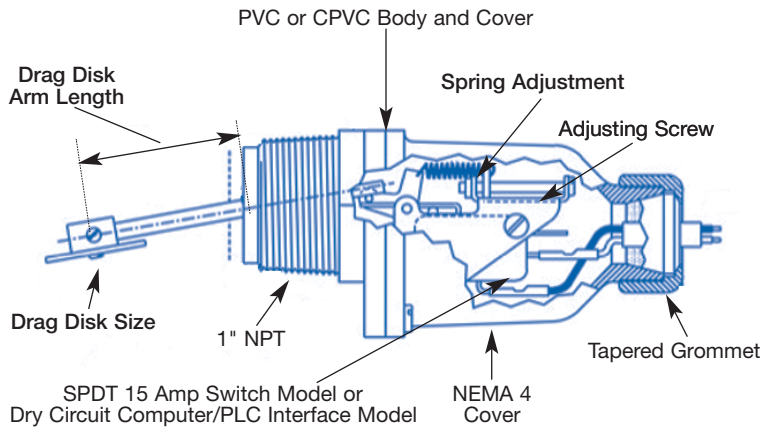
Wetted materials are PVC or CPVC as specified; EPDM, and EPOCAP 16505 Epoxy. Optional Viton seal available.

Electrical Switch Characteristics:

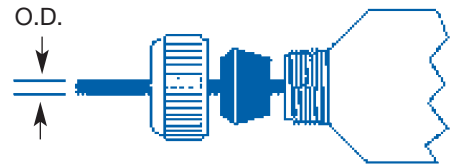
- SPDT
- 15 amp, 1/2 hp at 125 or 250 VAC
- UL recognized component
- 10,000,000 Operations Median

Model FSA can also be fitted with a SPDT Gold Cross Bar Switch for computer/PLC interface.

FSA Diagram:



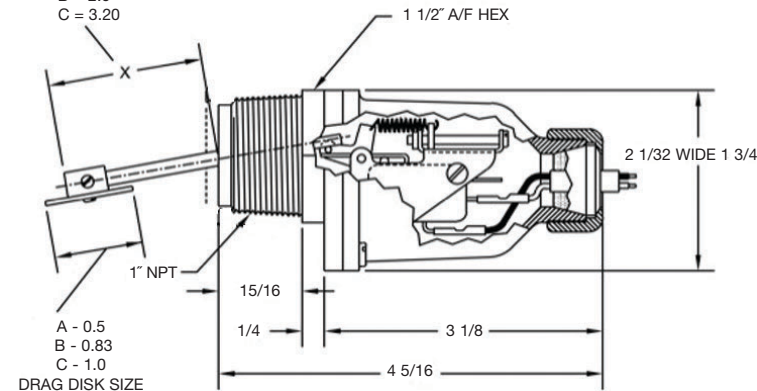
Grommet Diameter:



Dimensions:

DRAG DISK ARM LENGTH

- A = 1.35
- B = 2.0
- C = 3.20



Ordering Information

Flow Limit Between Which Switch Point May Be Set					
Pipe Size	GPM	Arm Length Disc Diameter	Pipe Size	GPM	Arm Length Disc Diameter
1"	8 - 13	AB	4"	75 - 155	CC
	18 - 28	AA		155 - 310	CA
1.5"	15 - 30	BC	5"	120 - 245	CC
	25 - 50	BA		245 - 245	CA
2"	25 - 50	BC	6"	180 - 350	CC
	50 - 105	BA		350 - 700	CA
2.5"	35 - 80	BC	8"*	300 - 600	
	80 - 155	BA		600 - 1200	
3"	50 - 90	CC	10"*	500 - 950	
	90 - 180	CA		950 - 1900	

* SPECIAL ORDER: CONSULT FACTORY

PLAST-O-MATIC
VALVES, INC.

1384 Pompton Avenue, Cedar Grove, NJ 07009-1095
(973) 256-3000 • Fax (973) 256-4745
www.plastomatic.com • info@plastomatic.com

AUTHORIZED PLAST-O-MATIC DISTRIBUTOR