

VSO-HP

High performance pressure controllers

FEATURES

- Stable pressure control with minimal thermal drift
- Rapid depressurisation
- High accuracy; high repeatability
- Low power consumption
- Optional 5 V supply output
- Configurable for pressure or flow control
- Silent operation; long life
- Includes thermally compensated proportional VSO® and dump valve

MEDIA COMPATIBILITY

Non-corrosive gases



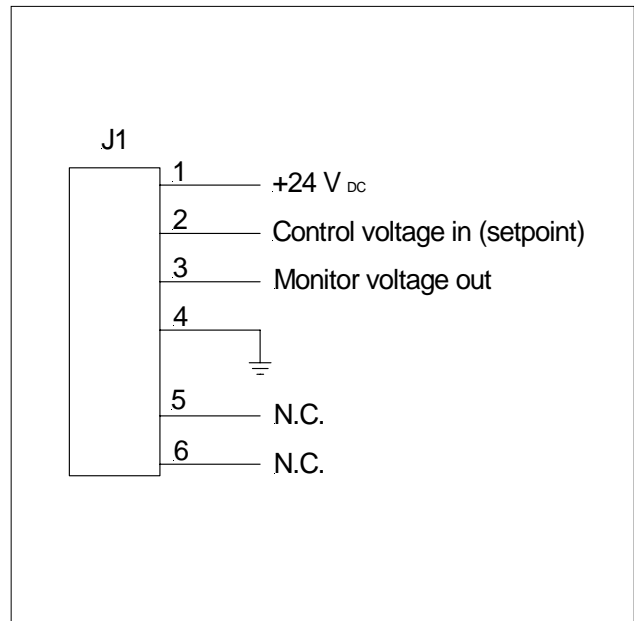
ELECTRICAL

Power	24 V _{DC} ± 10%
Input control signal	0...5 V _{DC}
Monitor output voltage	0...5 V _{DC}
Current requirement	<250 mA
Electrical connector	6 pin miniature interface cable included

PHYSICAL PROPERTIES

Operating environment	0 to 55 °C
Storage temperature	-40 to 55 °C
Porting	10-32 UNF female ports

ELECTRICAL CONNECTION



VSO is a registered trademark of Parker Hannifin Corporation.

VSO-HP

High performance pressure controllers

PRESSURE RANGES CHARACTERISTICS

Part no.	Pressure range*	Maximum supply pressure
VSOHP...0-1	0...1 psig	150% of pressure transducer rating
VSOHP...0-5	0...5 psig	
VSOHP...0-7	0...7 psig	
VSOHP...0-15	0...15 psig	
VSOHP...0-100	0...100 psig	

* Custom ranges available (including 0...2, 0...30, 0...50, 0...70 psig)

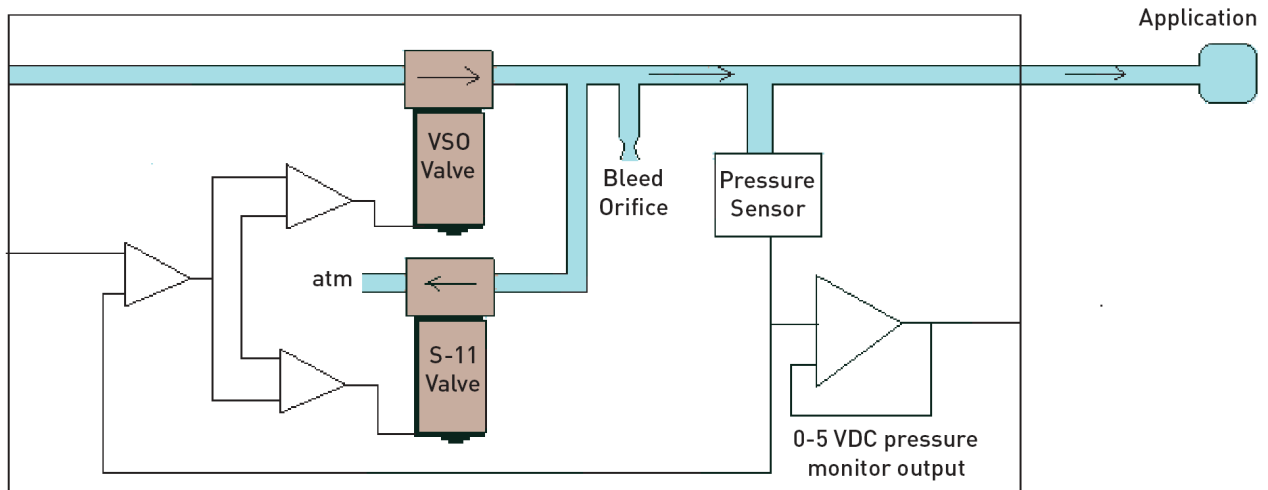
PERFORMANCE CHARACTERISTICS

Characteristics	Min.	Typ.	Max.	Unit
Pressure accuracy		±0.2	±1.0	%FS
Non-linearity			±1.0	
Response time*			15	ms

* Response time to target pressure is output volume dependent

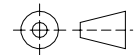
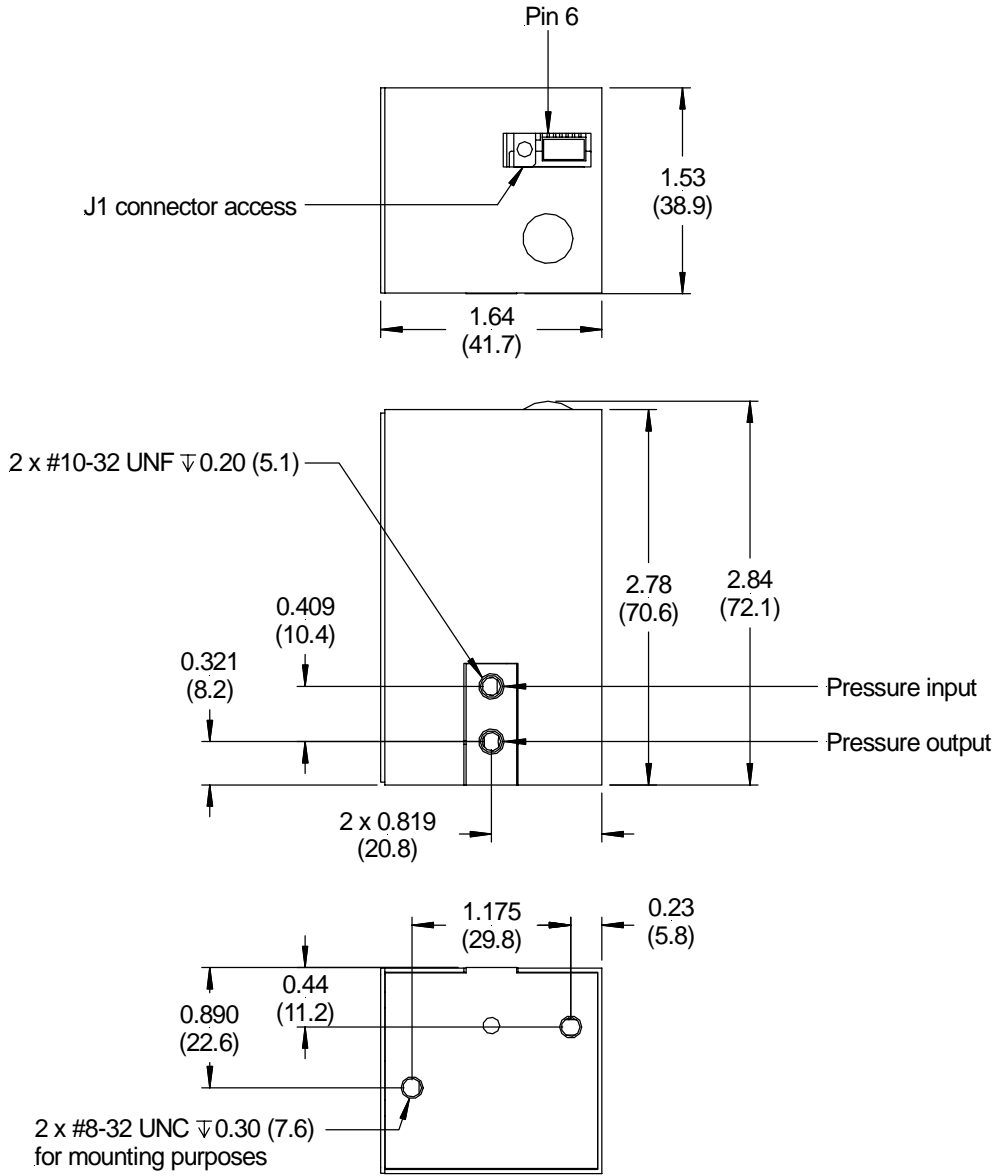
CONFIGURATIONS

Pressure control: Standard configuration



Alternate configuration is without bleed orifice.

PHYSICAL DIMENSIONS



third angle projection
dimensions in inches (mm)

VSO-HP

High performance pressure controllers

ORDERING INFORMATION

Options	Series	Configuration		Valve orifice		Electrical input		Pneumatic range*	
		VSOHP	S:	Standard pressure control	3:	0.03 "	0-5:	0...5 V _{DC}	0-1:
		A:	Alternate pressure control					0-5:	0...5 psi
								0-7:	0...7 psi
								0-15:	0...15 psi
								0-100:	0...100 psi
									* for custom pressure ranges contact First Sensor

Available listings:									
VSOHPS30-50-1									
VSOHPS30-50-5									
VSOHPS30-50-15									
VSOHPS30-50-100									
VSOHPA30-50-7									
VSOHPA30-50-15									
VSOHPA30-50-100									

Custom pressure ranges and configurations are available. Please contact First Sensor.

First Sensor reserves the right to make changes to any products herein. First Sensor does not assume any liability arising out of the application or use of any product or circuit described herein, neither does it convey any license under its patent rights nor the rights of others.