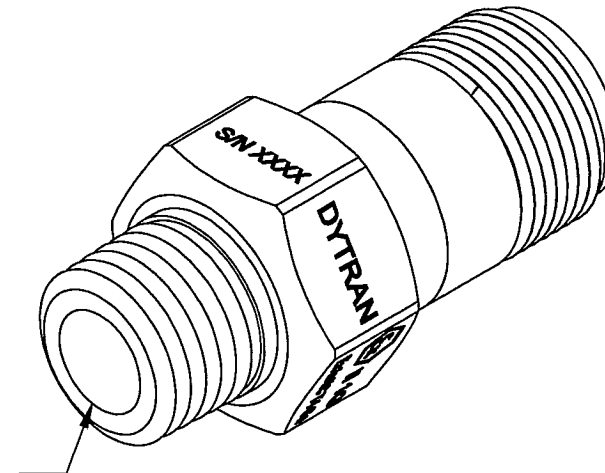
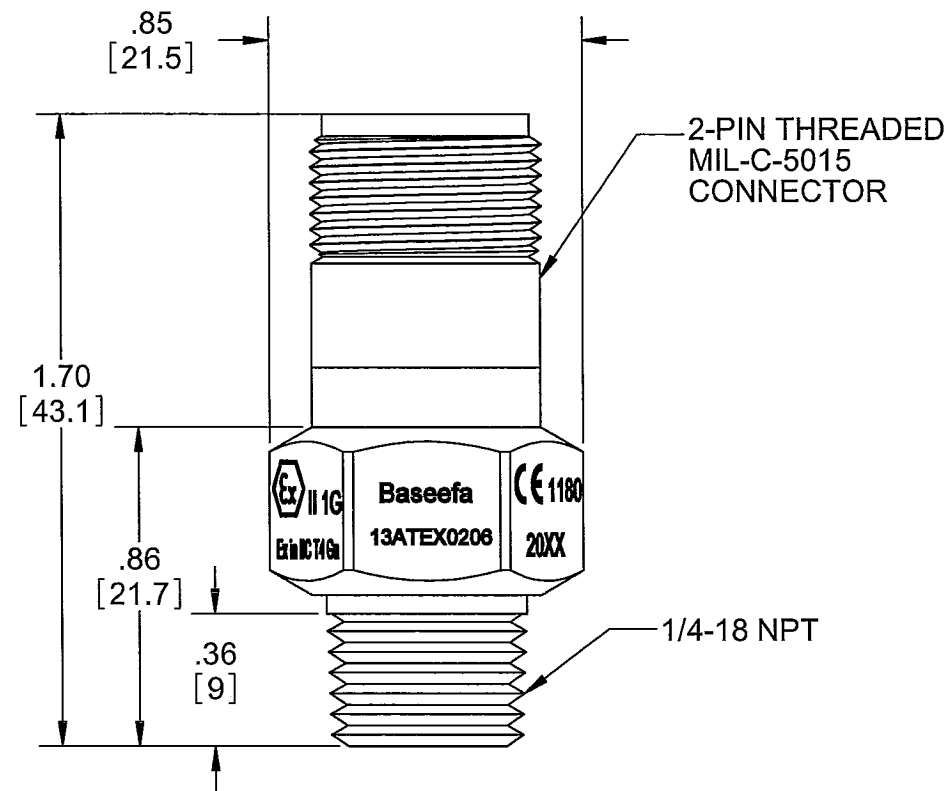
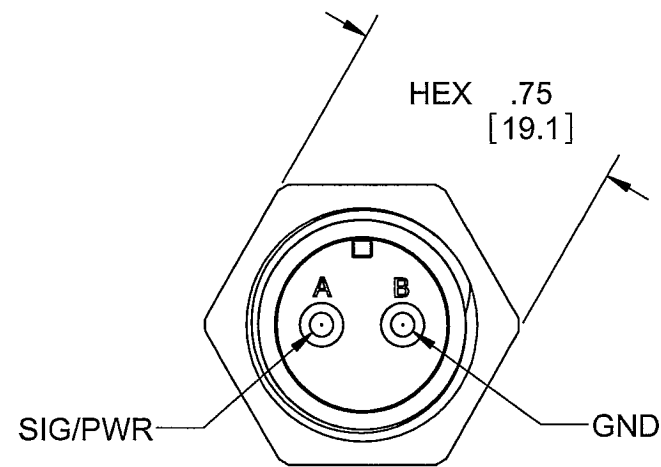


PROPRIETARY AND CONFIDENTIAL

THE INFORMATION CONTAINED IN THIS DRAWING IS THE SOLE PROPERTY OF DYTRAN INSTRUMENTS INC. ANY REPRODUCTION IN PART OR AS A WHOLE WITHOUT THE WRITTEN PERMISSION OF DYTRAN INSTRUMENTS INC. IS PROHIBITED

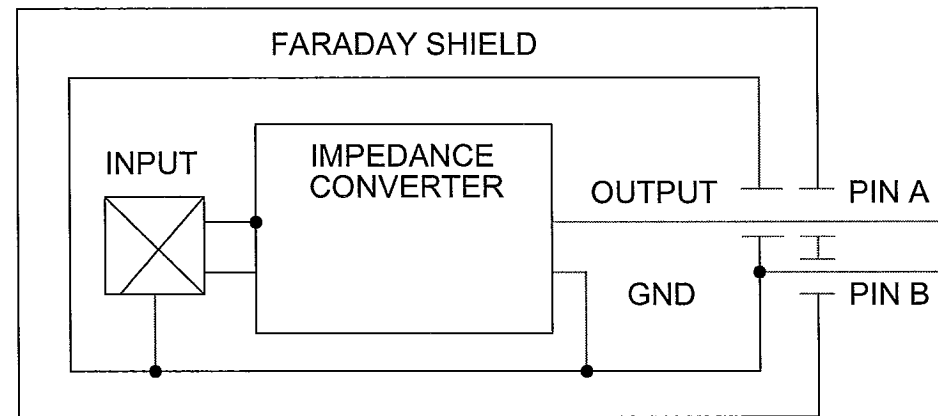
REVISIONS

REV.	ECN	DESCRIPTION	BY/DATE	CHK	APPR
A	5698	INITIAL RELEASE	01/26/09	ANS	DV
B	5351	UPDATED FORMAT	RA, 07/28/10	EP	DV
C	10439	ADDED SCHEMATIC, NOTES 3 & 4, CONFIGURATION CONTROL STAMP, AND ATEX MARKING	AB 10/02/13		



SENSING DIAPHRAGM
φ .31
[φ 7.9]

MODEL	SENSITIVITY
2006V1	10mV/PSI
2006V2	50mV/PSI
2006V3	100mV/PSI



SCHEMATIC DIAGRAM

NO CHANGES ALLOWED
WITHOUT CONSENT OF
CONFIGURATION CONTROL BOARD
DYTRAN INSTRUMENTS, INC.

ENG QA

4. TOTAL SENSOR CAPACITANCE, Ci (PIEZO ELEMENT PLUS CIRCUIT CAPACITORS): 18 pF MAXIMUM. SENSOR CONTAINS NO INDUCTIVE COMPONENTS.

3. IMPEDANCE CONVERTER HAS NO VOLTAGE ENHANCING/GENERATING PARTS.

2. MATERIAL: HOUSING/DIAPHRAGM - 316L
CONNECTOR - 304L

1. CASE TO GROUND PIN ISOLATION >100MΩ

NOTES: UNLESS OTHERWISE SPECIFIED

<p>UNLESS OTHERWISE SPECIFIED: INTERPRET DIM & TOL PER ASME Y14.5M - 1994. REMOVE BURRS. COUNTERSINK INTERNAL THDS 90° TO MAJOR DIA. CHAM EXT THDS 45° TO MINOR DIA. THD LENGTHS AND DEPTHS ARE FOR MIN FULL THDS. DIMENSIONS APPLY AFTER FINISHING.</p> <p>ALL MACHINED SURFACES. TOTAL RUNOUT WITHIN .005. BREAK SHARP EDGES .005 TO .010. MACHINED FILLET RADII .005 TO .015. WELDING SYMBOLS PER AWS A2.4. ABBREVIATIONS PER MIL-STD-12.</p>	<p>UNLESS OTHERWISE SPECIFIED: DIMENSIONS ARE IN INCHES. TOLERANCES ARE:</p> <p>DECIMALS .XX ±.01 .XXX ±.005</p> <p>ANGLES ±1°</p>		<p>DYTRAN INSTRUMENTS, INC. Chatsworth, CA</p> <p>MASTER ONLY IF IN RED</p>	
	<p>APPROVALS</p> <p>ORIG DV 04/28/08</p> <p>CHK ANS 01/27/09</p> <p>APP DV 01/27/09</p>		<p>DATE</p> <p>01/27/09</p>	
	<p>DO NOT SCALE DRAWING</p>		<p>THIRD ANGLE PROJECTION</p>	
	<p>SIZE B</p> <p>CAGE CODE 2W033</p> <p>SCALE: 2:1</p>		<p>DWG NO 127-2006V</p> <p>REV C</p> <p>SOLIDWORKS SHEET 1 OF 1</p>	

MODEL NUMBER
2006V2

PERFORMANCE SPECIFICATION

DOC NO.
PS2006V2

DYNAMIC PRESSURE SENSOR, IEPE

REV G, ECN 15538, 01/16/20



- HIGH SENSITIVITY
- ACCELERATION COMPENSATION
- ELECTRICALLY ISOLATED HOUSING

PHYSICAL

Weight, Max
Mounting Provision
Connector
Diaphragm Material

Type
Material

ENGLISH		SI	
2.3	oz	65	grams
1/4-18 MNPT		1/4-18 MNPT	
MIL-C-5012, 2 PIN		MIL-C-5012, 2 PIN	
316L		316L	

PERFORMANCE

Sensitivity +/- 10%
Range F.S for +/- 5 volts peak out
Maximum Pressure
Equivalent Electrical Noise (Resolution)
Mounted Resonant Frequency
Frequency Response, +/- 10%
Minimum Rise Time of Input Pulse
Discharge Time Constant
Linearity [1]
Lower -3db Frequency
Acceleration Sensitivity, Axial Direction

ENGLISH		SI	
50	mV/psi	7.2 X 10 ²	mV/Pa
+/-100	psi	689476	Pa
8000	psi	5.5 X 10 ⁵	Pa
0.0014	psi	9.65	Pa
>50000	Hz	>50000	Hz
2 to 5000	Hz	2 to 5000	Hz
2	µsec	2	µsec
0.17 to 2.0	sec	0.17 to 2.0	sec
+/-1	Hz	+/-1	%F.S
1	Hz	1	Hz
0.002	psi/g	0.014	Kpa/g

ENVIRONMENTAL

Maximum Vibration
Maximum Shock
Temperature Range
Thermal Coefficient Of Sensitivity
Environmental Seal
Power/Sig Ground Isolation, Min

ENGLISH		SI	
3000	g rms	3000	g rms
10000	g pk	10000	g pk
-40 to +250	°F	-40 to +121	°C
0.03	% / °F	0.02	% / °C
Hermetic		Hermetic	
100	MΩ	100	MΩ

ELECTRICAL

Excitation Voltage Range
Excitation Current Range [2]
Output Impedance NOM
Output Bias Voltage, NOM.
Output Signal Polarity

ENGLISH		SI	
18 to 30	VDC	18 to 30	VDC
2 to 20	mA	2 to 20	mA
100	Ω	100	Ω
7.5 to 9.5	VDC	7.5 to 9.5	VDC
Positive		Positive	

This family also includes:


Model	Sensitivity (mV/psi)	Range (psi pk)	Resolution (Grms)	Oper. Temp(°F)	TC (Sec)
2006V1	10	500	0.007	-40 to +250	0.17 to 2.0
2006V3	100	50	0.0007	-40 to +250	0.17 to 2.0

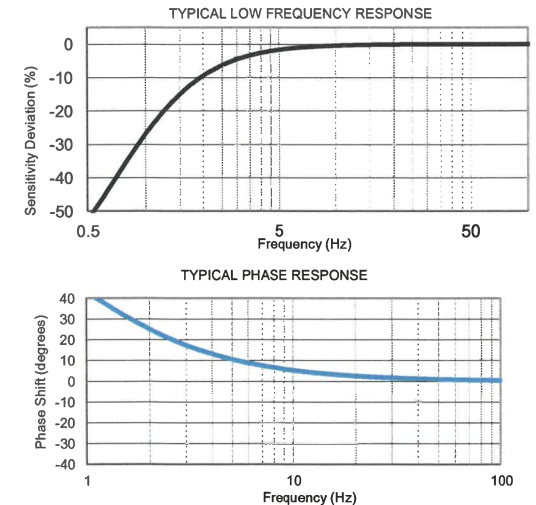
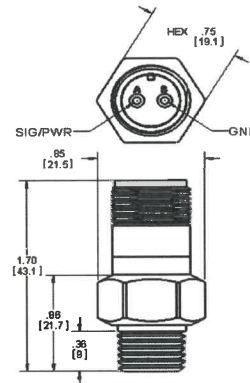
Please, refer to the performance specifications of the products in this family for detailed description.

Notes:

- [1] Percent full scale, zero based fit straight line method.
 [2] From constant current type power unit only. This sensor **MUST NOT BE CONNECTED** to a DC power source without current limiting, 20mA Maximum.
 [3] A calibration certificate traceable to NIST is supplied with each instrument.
 [4] In the interest of constant product improvement, we reserve the right to change the specification without notice
 It is the customer's responsibility to validate that a particular product with the properties described in the product specification is suitable for use in a particular application. Parameters provided in datasheets and / or specifications may vary in different applications and performance may vary overtime. All operating parameters, including typical parameters, must be validated for each customer application by the customer's technical experts.

CERTIFICATIONS:


ATEX Ex II 1G Ex ia IIC T4 Ga (marked on each microphone)
 Baseefa13ATEX0206(marked on each microphone)
 CE certified (marked on each microphone) 



Units on the line drawing are in inches, units in brackets are in millimeters. Refer to 127-2006V for more information.



21592 Marilla Street, Chatsworth, California 91311 Phone: 818.700.7818 Fax:818.700.7880 www.dytran.com For permission to reprint this content, please contact info@dytran.com

NO CHANGES ALLOWED
 WITHOUT CONSENT OF
 CONFIGURATION CONTROL BOARD
 DYTRAN INSTRUMENTS, INC.
 CM  QA 