



Digital indicating devices



Huba Control

LCD Display Type 801

Type 801 digital indicators are compatible with all sensors with DIN plug EN 175301-803-A.

Independent of the mounting position of the sensor, the display can be rotated to give the ideal reading position. The 801 has a 3 digit liquid-crystal display which is adjustable by the customer, or available factory set.

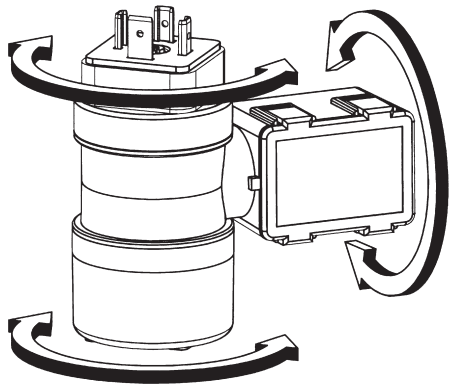
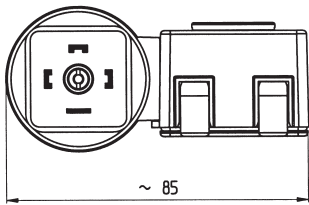
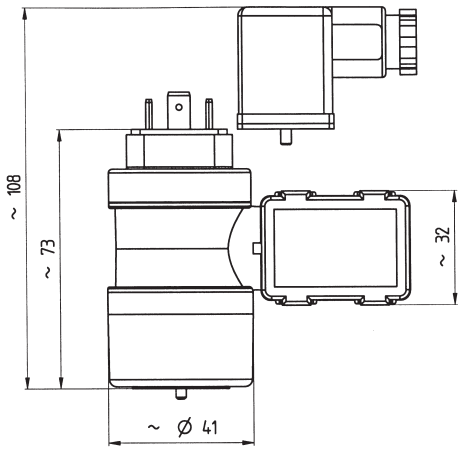
- + Portable plug-in indicator
- + Irrespective of the installation arrangement of your transducer the display module can be rotated and turned to give the ideal reading-position
- + Protection class IP 65 with screw-fastened DIN EN 175301-803 connectors

Technical overview

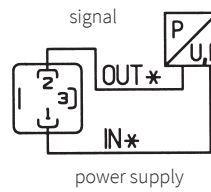
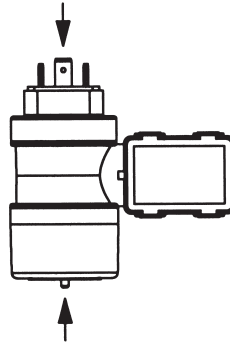
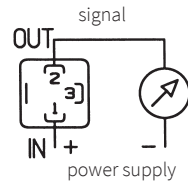
Temperature			
Ambient			0 ... +60 °C
Storage			-20 ... +75 °C
Electrical overview			
Current consumption	0 ... 5 V / 0 ... 10 V / 0 ... 20 mA	< 4 mA	
	4 ... 20 mA		voltage drop 8 V
Signal / power supply ¹⁾	3 wire	0 ... 5 V	11 ... 33 VDC, 24 VDC ± 15 %
	2 wire	0 ... 10 V	18 ... 33 VDC, 24 VAC ± 15 %
		4 ... 20 mA	8 ... 33 VDC
Internal resistance	0 ... 5 V	> 100 kOhm	
		0 ... 10 V	> 100 kOhm
		0 ... 20 mA	< 50 Ohm
Dynamic response			
Response time			< 5 ms
Accuracy			
Typically at ambient temperature 23 °C			≤ ± 2 digit typ.
Long term stability (after 1 year)			≤ ± 2 digit typ.
TC zero point ²⁾			≤ ± 0.2 digit/K typ.
TC sensitivity ²⁾			≤ ± 0.2 digit/K typ.
Electrical connection			
Connector DIN EN 175301-803			
Display			
Liquid crystal		3 digit	character height 9.4 mm
Indication capabilities (All intermediate values steplessly adjustable)			
Lowest value			highest value
-1.00			9.00
.000			.900
0.00			9.00
00.0			90.0
000			900
Protection standard			
IP 65 with seals and fastened connectors. To maintain the protection standard, avoid constantly twisting the individual modules.			
Calibration			
Factory calibration (indicate on order).			
Calibration by the customer using two 10- turn potentiometers (zero point and end value) and DIP switches to position the decimal point.			
Case construction			
Polyamid			
Weight			
~ 95 g			
Test / Admissions			
Electromagnetic compatibilty		CE conformity according EN 61326-2-3.	

			1	2	3	4		
Order code selection table			801.	X	X	X	X	
Signal / power supply	0 ... 5 V	11 ... 33 VDC/24 VAC ± 15%	0					
	0 ... 10 V	18 ... 33 VDC/24 VAC ± 15%	1					
	0 ... 20 mA	18 ... 33 VDC	2					
	4 ... 20 mA	8 ... 33 VDC	3					
Display unit (Text on display)	without text (adhesive labels for units enclosed, loose)			0				
	mbar			1				
	bar			2				
	kg / cm ²			3				
	Inch H2O			4				
	psi			5				
kPa			6					
Factory adjustment	without factory setting					0		
	with factory setting (state on order)		Example:	0 Volt	Indication 00.0			
			10 Volt	Indication 10.0				
	Note: Always indicate 3 places and decimal point (- before 1 st place)						1	W

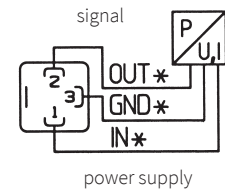
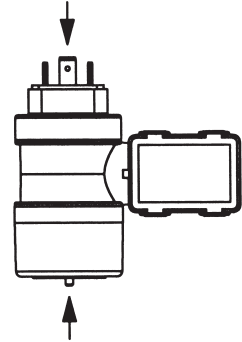
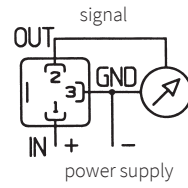
¹⁾ Short circuit-proof and protected against polarity reversal. Each connection against other with max. supply voltage. ²⁾ TC = Temperature coefficient



2-wire



3-wire



When used with Huba transmitters the supply voltage is 19 ... 40 VDC for 4 ... 20 mA, 2-wire versions
 maximum permitted additional load $< \frac{U_{in} [V] - 19}{0.02} [\text{Ohm}]$

Huba Control AG

Headquarters Schweiz
Industriestrasse 17
CH-5436 Würenlos
Telefon +41 56 436 82 00
Fax +41 56 436 82 82
info.ch@hubacontrol.com

Huba Control AG

Niederlassung Deutschland
Schlattgrabenstrasse 24
D-72141 Walddorfhäslach
Telefon +49 7127 2393 00
Fax +49 7127 2393 20
info.de@hubacontrol.com

Huba Control AG

Vestiging Nederland
Hamseweg 20A
NL-3828 AD-Hoogland
Telefoon +31 33 433 03 66
Telefax +31 33 433 03 77
info.nl@hubacontrol.com

Huba Control SA

Succursale France
Rue Lavoisier
Technopôle Forbach-Sud
F-57602 Forbach Cedex
Téléphone +33 3 87 84 73 00
Télécopieur +33 3 87 84 73 01
info.fr@hubacontrol.com

Huba Control AG

Branch Office United Kingdom
Unit 13 Berkshire House, County Park
Business Centre, Shivenham Road
Swindon - Wiltshire SN1 2NR
Phone +44 1993 77 66 67
Fax +44 1993 77 66 71
info.uk@hubacontrol.com

www.hubacontrol.com

