

Membrane Position Sensor




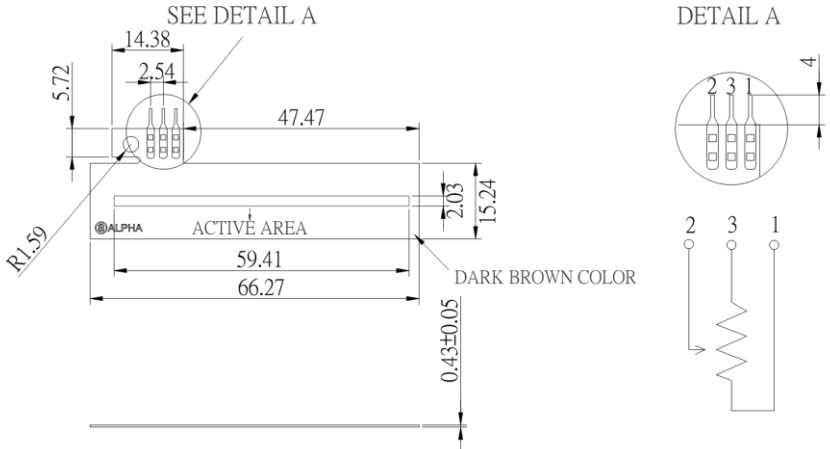

60mm Active Length

Application

✓ IoT and Logistics, Industrial and many others.

Feature

✓ Slim and Flexible

Order Code	Outline Drawing
MAT060-B□□K-231-A02 	
MAT060-B□□K-231-A03 	

SPECIFICATION

MODEL	MAT060-B□□K-231-A02	MAT060-B□□K-231-A03
POSITION LINEARITY, INDEPENDENT	±3%	±3%
RESISTANCE TOLERANCE	±20%	±20%
ACTIVE LENGTH	60mm	60mm
POWER RATING	1 Watt max. @25°C	1 Watt max. @25°C
LIFE CYCLE(WITHOUT FAILURE)	>0.5 Million	>0.5 Million
OPERATING TEMPERATURE	-20°C to +70°C	-20°C to +85°C
IP RATING	IP65	IP65
HUMIDITY	No affect @+40°C/95%RH for 4 hrs	No affect @+40°C/95%RH for 4 hrs

CONNECTOR OPTIONS

Female Contacts 	Solder Tabs (pin) 	Female Contact with Housing 
--	--	--

Design and specifications presented here are for the standard parts only. Please kindly contact us for your special requests and ask for the current technical specifications before purchase and/or use.