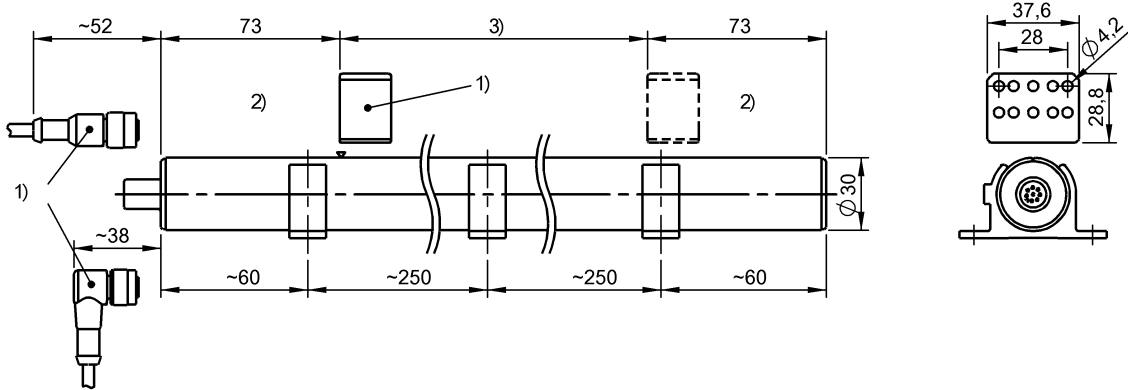


## BTL6-A110-M0100-A1-S115 BTL001Y



1) not included in scope of delivery 2) Non-usable area 3) Nominal length = Measuring length



### Display/Operation

Error signal Ua falling	≥ 10.2 V
Error signal Ua rising	≥ 10.2 V

### Electrical connection

Connection version	axial
Polarity reversal protected	to 36 V

### Electrical data

Current consumption max. at 24 V DC	70 mA
Galvanic isolation	no
Inrush current	≤ 3 A/0.5 ms
MTTF (40 °C)	84 a
Operating voltage Ub	20...28 VDC
Output current max.	5 mA
Output signal adjustable	no
Overvoltage protection	yes
Voltage-proof up to (GND to housing)	500 V DC

### Environmental conditions

Ambient temperature	0...70 °C
EN 55016-2-3, Radiation	For industrial and residential use
EN 60068-2-27, Continuous shock	50 g, 2 ms
EN 60068-2-27, Shock	50 g, 6 ms
EN 60068-2-6, Vibration	12 g, 10...2000 Hz
EN 61000-4-2, ESD	Severity Level 3
EN 61000-4-3, RFI	Severity Level 3
EN 61000-4-4, Burst	Severity Level 3
EN 61000-4-5, Surge	Severity Level 2

EN 61000-4-6, High-frequency fields

EN 61000-4-8, Magnetic fields

Protection type IEC 60529

Relative humidity

Storage temperature

Severity Level 3

Severity Level 4

IP67 with connector

≤ 90 %, non-condensing

-40...100 °C

### Functional safety

Functional safety	no
-------------------	----

### General data

Approval/Conformity	CE cULus
Magnets, number (factory setting)	1
Position encoders, number max.	1

### Material

Cover material	Zinc
Cover material, note	Die casting
Housing material	Aluminum
Housing material, surface protection	anodized
Material cover	Zinc, Die casting

### Mechanical data

Fastening detail	Mounting clamps
Installation length	246 mm
Null point	73.0 mm
Profile diameter	30.0 mm

### Range/Distance

Measuring length	100 mm
------------------	--------

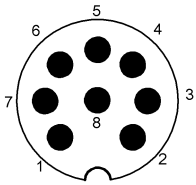
## BTL6-A110-M0100-A1-S115 BTL001Y

Non-linearity max.  $\pm 200 \mu\text{m}$   
 Repeat accuracy  $\leq 10 \mu\text{m}$   
 Reproducibility  $\leq 10 \mu\text{m}$   
 Resolution  $\leq 10 \mu\text{m}$

Ripple  $U_a$  max. 5 mV  
 Sampling rate, length-dependent 1 kHz, standard

For further information on MTTF/B10d, please refer to the MTTF / B10d Certificate. Specification of the MTTF value and the B10d value do not represent any binding quality and/or life expectancy guarantees.

### Connector view



### Wiring Diagram

Pin	
1	GND output
2	GND output
3	10...0 V
4	NC
5	0...10 V
6	GND
7	+24 V DC
8	NC